

Charge ahead with the UL Fed Spec Grade USB duplex receptacle.

TR5362USBCDW, TR5362USBCDGN, TR5362USBCDBK,  
TR5362USBCDBL, TR5362USBCDBL100

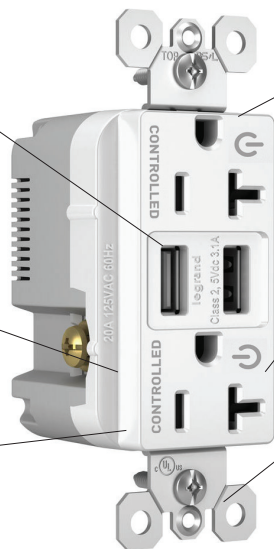
Pass & Seymour® Plug Load Fed Spec Tamper-Resistant Duplex Receptacles with USB Charging capabilities and permanent markings are designed with strength, durability, and code compliance in mind. They were designed for the commercial market, and are capable of withstanding heavy use due to their UL Federal Specification certification. This product features 3.1A USB charging capability, auto-ground clips, zinc-plated ground terminal screw, as well as triple-wipe brass contacts for lasting retention. The screw-pressure-plate back wiring makes installation fast and easy.

## Features & Benefits

**Overall 3.1A USB charging capability** - combination AC duplex receptacles include two 5-volt DC USB ports that work with USB 2.0 and 3.0 compatible devices

**AC receptacles available in 15 and 20A, 125V**

**AC receptacles are tamper-resistant as standard** - patented shutter system prevents improper insertion of foreign objects



TR5362USBCDW

**Multiple color options available**

**Back and side wire terminals** accommodate #14 AWG - #10 AWG stranded and solid copper wire

**Now available in permanently marked controlled devices** compliant with the National Electrical Code®, CA Title 24, and ASHRAE Energy Efficiency Standard 90.1

**Stainless steel auto-ground clips** assure positive ground

**Code compliant Plug Load Controlled receptacle** with permanent markings that use abrasion resistant ink. Clear indication to identify a controlled wiring device from others devices

## 3rd Party Compliance



cULus Listed, UL Fed Spec Listed  
Complies with test requirements UL 498, UL 1310, Fed Spec WC596,  
CSA C22.2 No. 42, CSA C22.2 No. 223  
CA Title 24, and ASHRAE Energy Efficiency Standard 90.1  
2021 International Energy Conversation Code (IECC), 2023 NEC, Part 6: Building Energy Efficiency Standards

## Ordering Information

### Performance

#### Electrical

Dielectric Withstand Voltage	Withstands 1500V minimum
Maximum Working Voltage	125V
Current Interrupting	Certified for current interrupting at full-rated current (receptacle only)

#### Mechanical

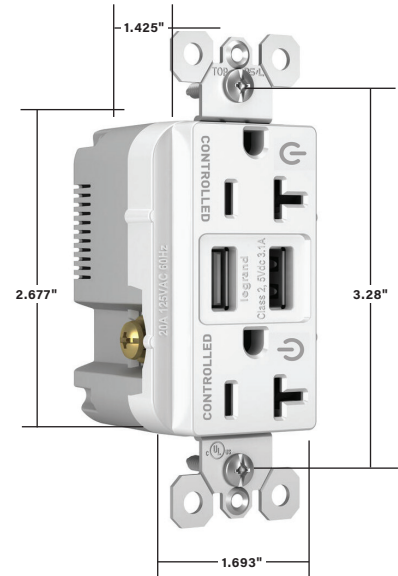
Terminal Identification	Terminal Identification in accordance with UL498 (Brass, White, Green)
Terminal Accommodation	Back and side wire terminals accommodate #14 AWG - #10 AWG stranded and solid copper wire
Product Identification	Ratings are a permanent part of device

#### Environmental

Flammability	UL94 V2 (for device cover) 5V (for device body and frame)
Operating Temperature	Maximum continuous +60°C, minimum -40°C without impact

### Materials

Face	Polycarbonate
Body	Nylon
Contacts	CDA 260 Brass
Mounting Strap	.046" Zinc-Plated Brass
Terminal Screws	Tri-Drive Zinc-Plated Steel with Either Clear or Black Chromate For Color Identification
Ground Screw	Tri-Drive Steel with Green Chromate
Mounting Screws	Tri-Drive Steel
Auto-Ground Clip	Stainless Steel



## Warranty

1 Year

## Ordering Information

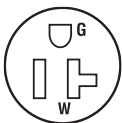
### Dual Controlled Duplex-Tamper-Resistant Receptacle with USB Charger

Catalog Number	Rating A	V	Color	NEMA Configuration No.
TR5362USBCDW	20A	125V	White	5-20R
TR5362USBCDGN	20A	125V	Green	5-20R
TR5362USBCDBK	20A	125V	Black	5-20R
TR5362USBCDBL	20A	125V	Blue	5-20R
TR5362USBCDBL100*	20A	125V	Blue	5-20R

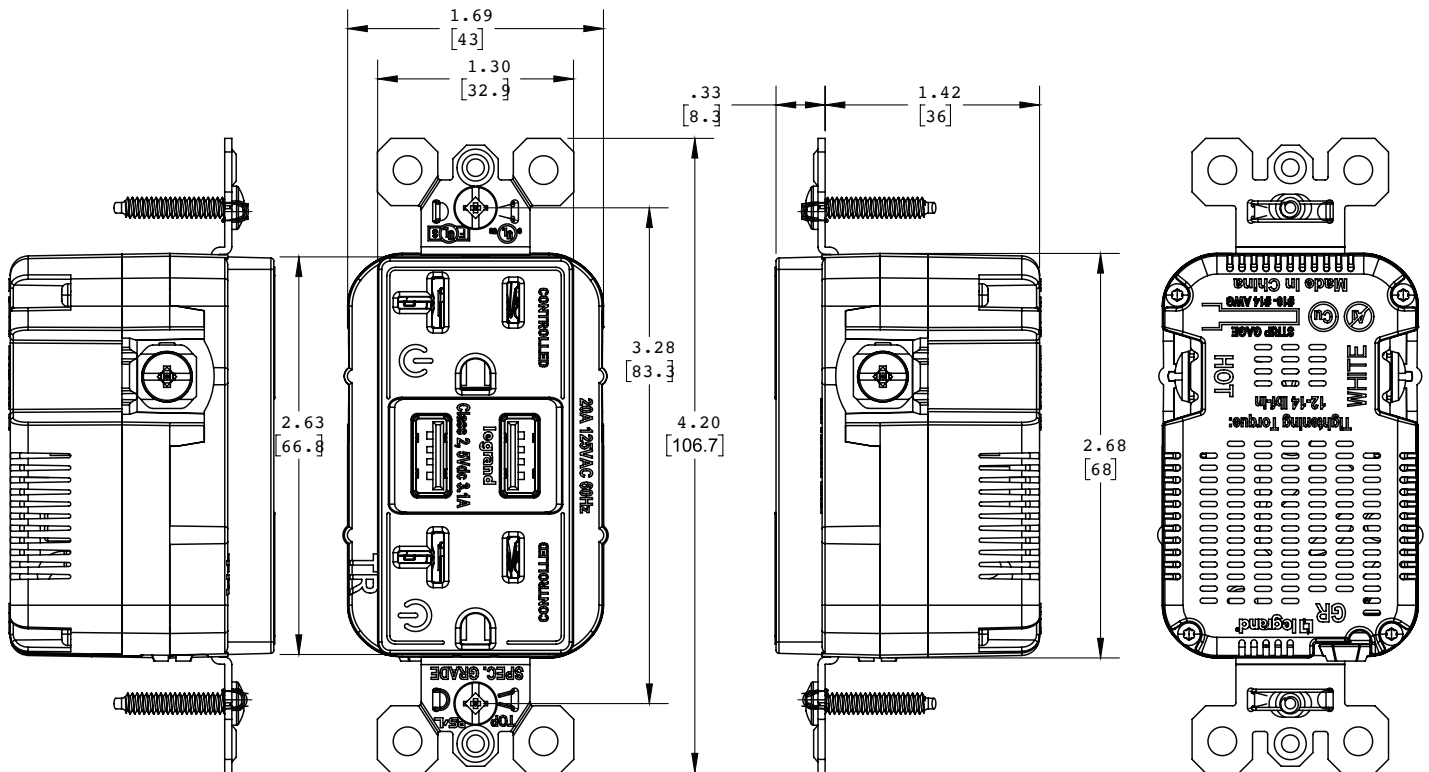
\* Denotes bulk pack of 100



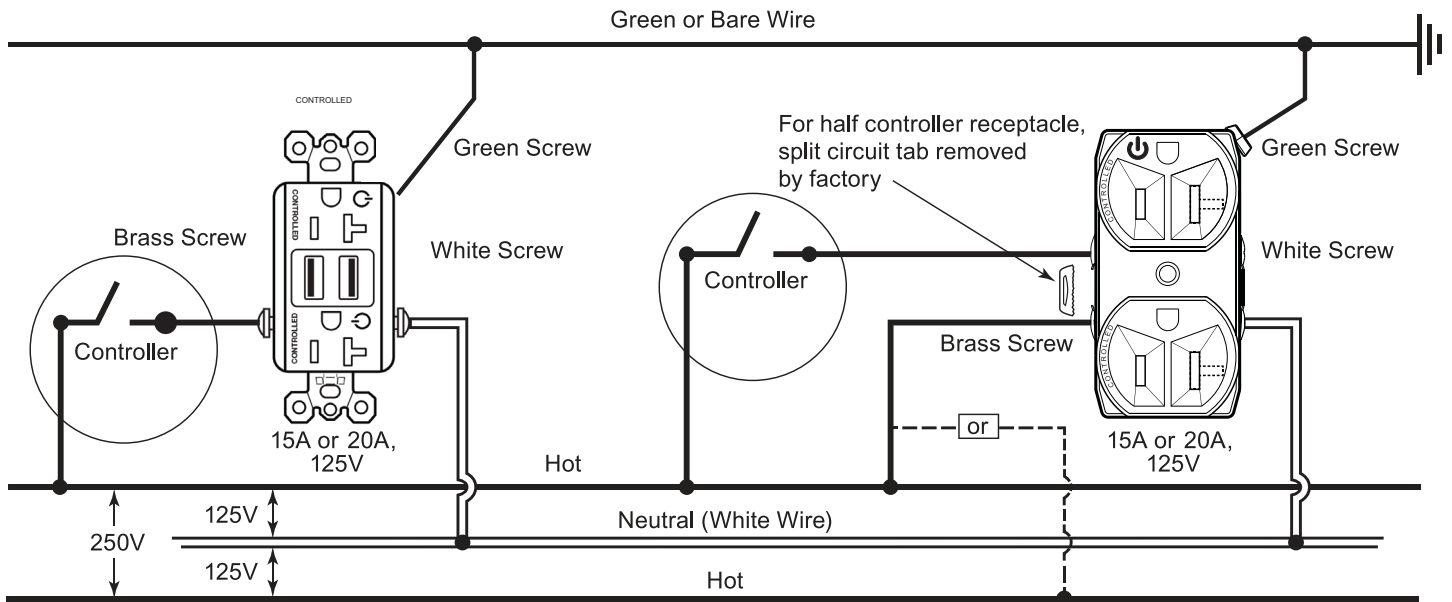
NEMA  
5-15R



NEMA  
5-20R



## Plug Load Controllable Receptacles Wiring Diagram



## Vertical Markets

- Healthcare
- Education
- Airports
- Retail
- Hospitality/Lodging
- Office
- Institutional
- Multiple Dwelling

## Also available

- Hospital Grade Devices
- Straight Blade Plugs & Connectors
- Weatherproof Boxes & Covers
- Flexcor® Wire Mesh Grips
- SPD & Isolated Ground Devices
- Turnlok® Locking Devices
- IEC 309 Industrial Products
- Bulk Solutions
- Ground Continuity Monitoring (GCM)

The paper used to print this document is an environmentally responsible paper with 10% post consumer waste, with FSC and SFI Chain of Custody certifications, Lacey Act compliant. 100% of the electricity used to manufacture Flo sheets is generated with Green-e certified renewable energy.

All brand and product names referenced in this document are registered trademarks or trademarks of their respective holders.