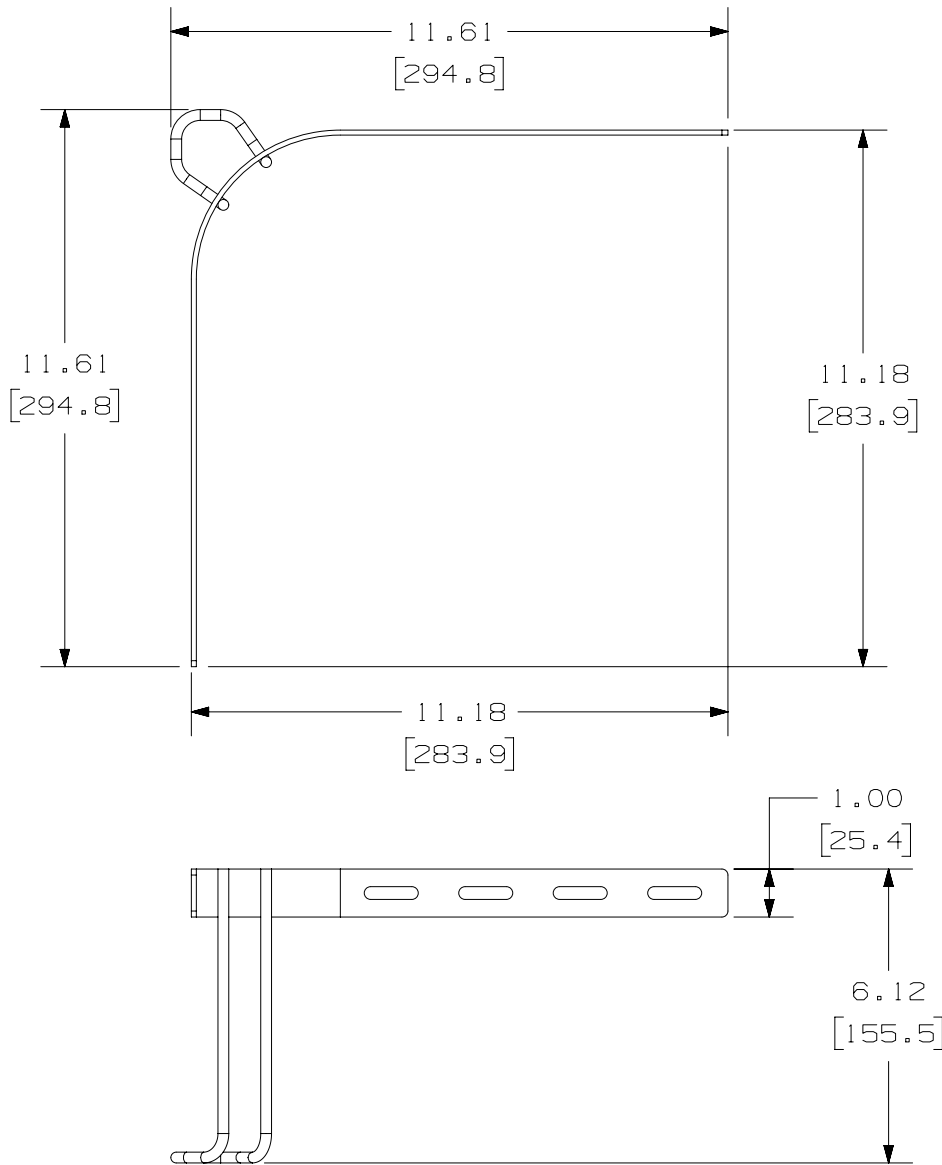


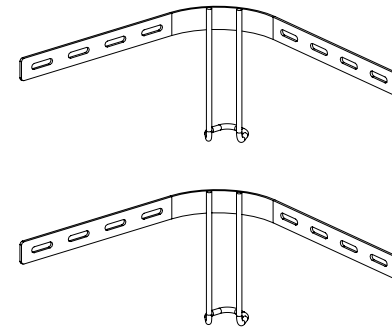
THIS COPY IS PROVIDED ON A RESTRICTED BASIS AND IS NOT TO BE USED IN ANY WAY DETRIMENTAL TO THE INTERESTS OF PANDUIT CORP.



PANDUIT P/N	WEIGHT
PWBIB6**	2.26 LBS/SET (1025.1g)/SET

NOTES:

- VISIT OUR ON-LINE CATALOG AT WWW.PANDUIT.COM FOR A LIST OF CURRENT PARTS APPLICABLE FOR USE WITH THIS PRODUCT.
- DIMENSIONS IN [] ARE METRIC.
- PART INCLUDES A SET OF 2 BRACKETS
- FASTEN BRACKET TO BASKETS USING PWBHK** (SOLD SEPARATELY)
- USE PWBSPL** TO FASTEN BASKET BASES TOGETHER. (SOLD SEPARATELY)
- **= BL (BLACK POWDER COAT), WH (WHITE POWDER COAT), OR EZ (CLEAR ZINC)
- ALL MATERIALS AND COMPONENTS USED MEET THE MATERIAL RESTRICTIONS OF RoHS (EUROPEAN DIRECTIVE 2011/65/EC ON THE RESTRICTION OF HAZARDOUS SUBSTANCES) AS PROPOSED BY THE RoHS TECHNICAL ADAPTATION COMMITTEE.



TITLE									
WIRE BASKET RADIUS INTERSECTION 90 BRACKET, 6" (150mm) H									
CUSTOMER DRAWING									
ITEM REVISION NAME					00510JBG/03				
DATASET FILE NAME					00510JBG_DC/03C				
					THIRD ANGLE PROJECTION				
MATERIAL					C.R.S.				
					DRAWING NUMBER				
					00510JBG-DC				
DRAWN BY	DATE	CHK	SCALE						
JSP	3/1/21	DWW	NONE						
				SHEET 1 OF 1				A	

REV	DATE	BY	CHK	APR	DESCRIPTION	ECN
03C	12-15-23	SAT	DWR	EB	B. UPDATED TITLE.	
03B	3/18/22	JSP	DWR	ML	A. UPDATED NOTES	00510JBG-DC
03A	3/1/21	JSP	DWW	ML	INITIAL RELEASE	00510JBG-DC

A-SIZE CUSTOMER