

FREE-STAND, TYPE 12, SINGLE OR DUAL ACCESS



INDUSTRY STANDARDS

UL 508A Listed; Type 12; File No. E61997
 cUL Listed per CSA C22.2 No. 94; Type 12; File No. E61997

NEMA/EEMAC Type 12
 E.I.A. RS310D
 CSA, File No. 42186, Type 12
 IEC 60529, IP55

Applicable industry standards only for enclosures with Seismic Accessories:
 NEBS- Telcordia GR-63-CORE Zone 4, tested with 1000lbs evenly distributed
 OSHPD Pre-Approval OPM-0247-13

APPLICATION

Available with front or front and rear access, these Type 12 enclosures have sturdy unibody construction and flexible internal mounting options.

SPECIFICATIONS

- 12 gauge steel
- Seams continuously welded and ground smooth; no holes or knockouts
- Stiffeners on back of two-door enclosures maintain flatness and increase rigidity
- Lifting eyes for easy handling
- 3-point latches operated by oil-tight key-locking handle
- Concealed, easy-to-remove hinges
- Data pockets are high-impact thermoplastic
- Internal mounting channels welded horizontally to sides at top, bottom and center
- Optional panels and rack mount angles can be mounted anywhere along channels
- Oil-resistant door gasket
- Bonding provision on door
- Provision for mounting fluorescent light

To meet GR-63-CORE Zone 4 seismic standards, Free-Stand enclosures must include the following accessories (purchased separately):

For Seismic Free-Stand with Panel

- Seismic Mounting Plate Kit
- Seismic Panel Mounting Kit
- Panel, Full-Length

For Seismic Free-Stand with Rack Angles

- Seismic Mounting Plate Kit
- Rack Mounting Angles - L-Style (Type RP), Full

FINISH

Two finishes available: ANSI 61 gray, polyester powder paint outside and inside; or ANSI 61 gray outside and white, polyester powder paint inside. Optional panels available with a white or conductive finish.

ACCESSORIES

- Panels
- Rack Mounting Angels L-Style
- PANELISTE Enclosure Lights
- Floor Stand Kit
- SPECTRACOOOL Indoor/Outdoor
- Seismic Panel Mounting Plate Kits
- Seismic Panel Mounting Kits
- HF Side-Mount Filter Fans
- Steel, Stainless Steel and Non-Metallic Window Kits
- Electric Heaters
- HOL-SEALERS Hole Seals

NOTES

Please visit our Cooling Selection Tool at <https://coolingselection.nvent.com> to explore cooling products for your application.

MODIFICATION AND CUSTOMIZATION

Hoffman excels at modifying and customizing products to your specifications. Contact your local Hoffman sales office or distributor for complete information.

BULLETIN: A30

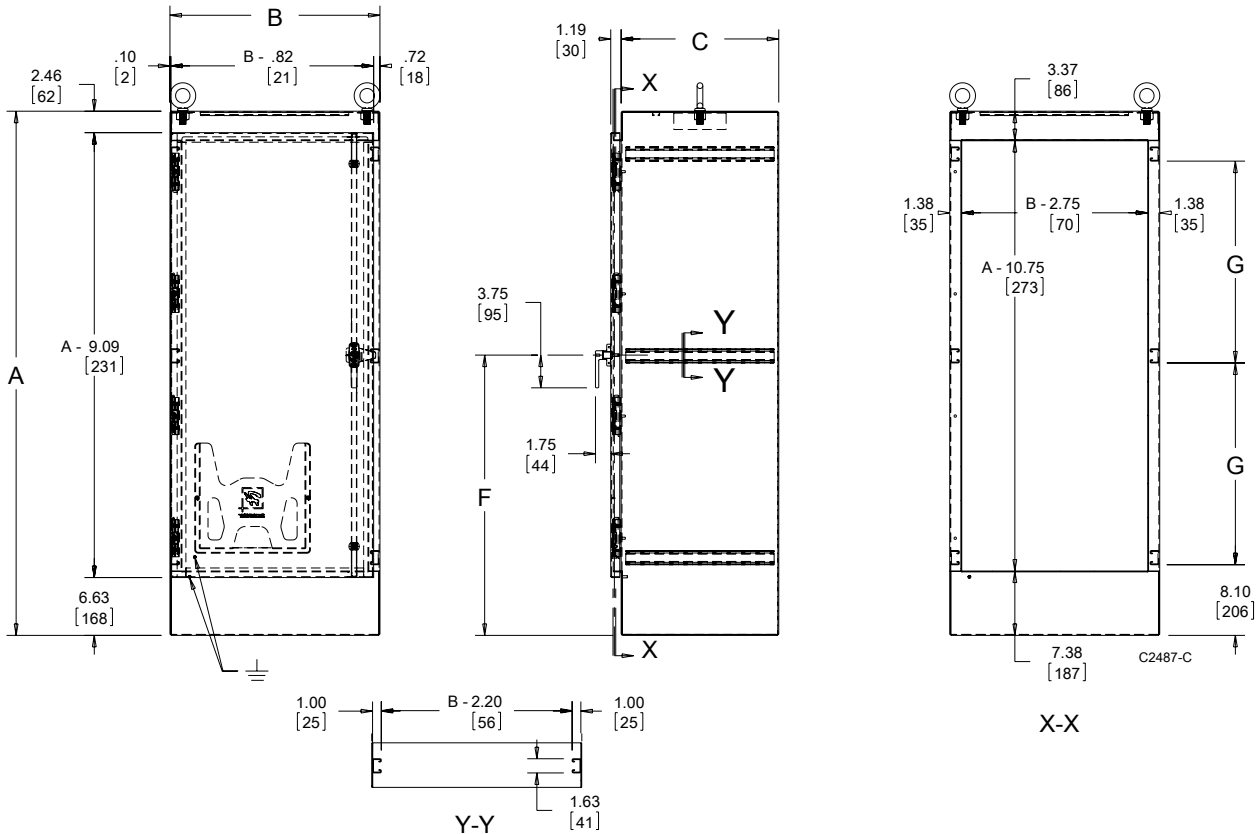
Standard Product **One-Door Single-Access**

Catalog Number	AxBxC in.	AxBxC mm	Interior Finish	F (in.)	F (mm)	G (in.)	G (mm)	Number of Lifting Eyes	Number of Rack Units
A602418FSG	60.06 x 24.06 x 18.06	1526 x 611 x 459	Gray	32.03	814	23.12	587	2	28
A602418FS	60.06 x 24.06 x 18.06	1526 x 611 x 459	White	32.03	814	23.12	587	2	28
A722418FSG	72.06 x 24.06 x 18.06	1830 x 611 x 459	Gray	38.03	966	29.12	740	2	35
A722418FS	72.06 x 24.06 x 18.06	1830 x 611 x 459	White	38.03	966	29.12	740	2	35
A723018FSG	72.06 x 30.06 x 18.06	1830 x 764 x 459	Gray	38.03	966	29.12	740	2	35
A723018FS	72.06 x 30.06 x 18.06	1830 x 764 x 459	White	38.03	966	29.12	740	2	35
A723618FSG	72.06 x 36.06 x 18.06	1830 x 916 x 459	Gray	38.03	966	29.12	740	2	35
A723618FS	72.06 x 36.06 x 18.06	1830 x 916 x 459	White	38.03	966	29.12	740	2	35
A902420FSG	90.06 x 24.06 x 20.06	2288 x 611 x 510	Gray	47.03	1195	38.12	968	2	45
A902420FS	90.06 x 24.06 x 20.06	2288 x 611 x 510	White	47.03	1195	38.12	968	2	45
A903620FSG	90.06 x 36.06 x 20.06	2288 x 916 x 510	Gray	47.03	1195	38.12	968	2	45
A903620FS	90.06 x 36.06 x 20.06	2288 x 916 x 510	White	47.03	1195	38.12	968	2	45
A603624FSG	60.06 x 36.06 x 24.06	1526 x 916 x 611	Gray	32.03	814	23.12	587	2	28
A603624FS	60.06 x 36.06 x 24.06	1526 x 916 x 611	White	32.03	814	23.12	587	2	28
A722424FSG	72.06 x 24.06 x 24.06	1830 x 611 x 611	Gray	38.03	966	29.12	740	2	35
A722424FS	72.06 x 24.06 x 24.06	1830 x 611 x 611	White	38.03	966	29.12	740	2	35
A723024FSG	72.06 x 30.06 x 24.06	1830 x 764 x 611	Gray	38.03	966	29.12	740	2	35
A723024FS	72.06 x 30.06 x 24.06	1830 x 764 x 611	White	38.03	966	29.12	740	2	35
A723624FSG	72.06 x 36.06 x 24.06	1830 x 916 x 611	Gray	38.03	966	29.12	740	2	35
A723624FS	72.06 x 36.06 x 24.06	1830 x 916 x 611	White	38.03	966	29.12	740	2	35
A903624FSG	90.06 x 36.06 x 24.06	2288 x 916 x 611	Gray	47.03	1195	38.12	968	2	45
A903624FS	90.06 x 36.06 x 24.06	2288 x 916 x 611	White	47.03	1195	38.12	968	2	45
A723630FSG	72.06 x 36.06 x 30.06	1830 x 916 x 764	Gray	38.03	966	29.12	740	4	35
A723630FS	72.06 x 36.06 x 30.06	1830 x 916 x 764	White	38.03	966	29.12	740	4	35
A723636FSG	72.06 x 36.06 x 36.06	1830 x 916 x 916	Gray	38.03	966	29.12	740	4	35
A723636FS	72.06 x 36.06 x 36.06	1830 x 916 x 916	White	38.03	966	29.12	740	4	35
A903636FSG	90.06 x 36.06 x 36.06	2288 x 916 x 916	Gray	47.03	1195	38.12	968	4	45
A903636FS	90.06 x 36.06 x 36.06	2288 x 916 x 916	White	47.03	1195	38.12	968	4	45

Four lifting eyes are furnished if C = 30.06 (764mm) or more.

Removable 12.00 x 12.00 (305mm x 305mm) data pocket included.

Seismic accessories are available for one-door enclosures.



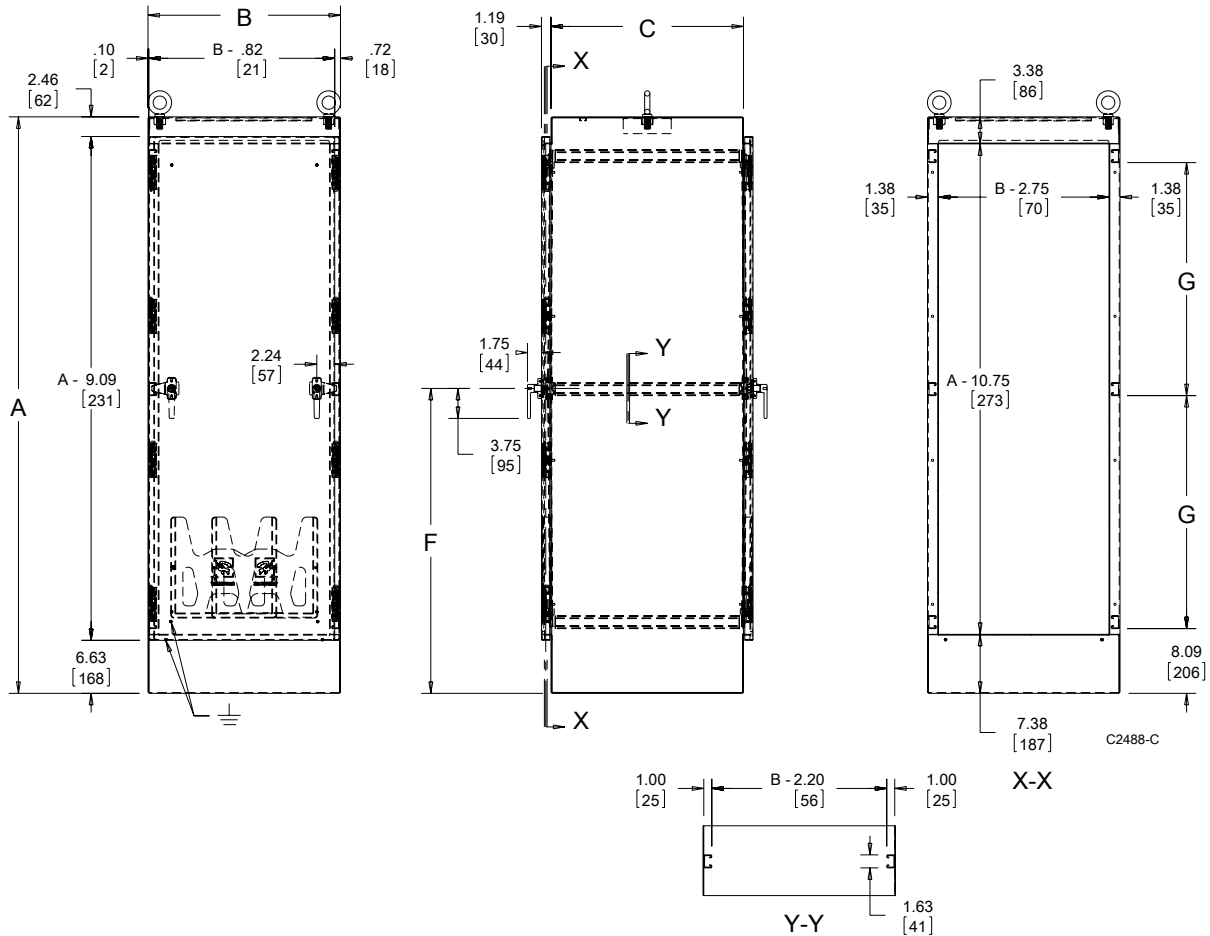
Standard Product **One-Door Dual-Access**

Catalog Number	AxBxC in.	AxBxC mm	Interior Finish	F (in.)	F (mm)	G (in.)	G (mm)	Number of Lifting Eyes	Number of Rack Units
A722424FSDAG	72.06 x 24.06 x 24.06	1830 x 611 x 611	Gray	38.03	966	29.12	740	2	35
A722424FSDA	72.06 x 24.06 x 24.06	1830 x 611 x 611	White	38.03	966	29.12	740	2	35
A723024FSDAG	72.06 x 30.06 x 24.06	1830 x 764 x 611	Gray	38.03	966	29.12	740	2	35
A723024FSDA	72.06 x 30.06 x 24.06	1830 x 764 x 611	White	38.03	966	29.12	740	2	35
A723624FSDAG	72.06 x 36.06 x 24.06	1830 x 916 x 611	Gray	38.03	966	29.12	740	2	35
A723624FSDA	72.06 x 36.06 x 24.06	1830 x 916 x 611	White	38.03	966	29.12	740	2	35
A903624FSDAG	90.06 x 36.06 x 24.06	2288 x 916 x 611	Gray	47.03	1195	38.12	968	2	45
A903624FSDA	90.06 x 36.06 x 24.06	2288 x 916 x 611	White	47.03	1195	38.12	968	2	45
A722430FSDAG	72.06 x 24.06 x 30.06	1830 x 611 x 764	Gray	38.03	966	29.12	740	4	35
A722430FSDA	72.06 x 24.06 x 30.06	1830 x 611 x 764	White	38.03	966	29.12	740	4	35
A722436FSDAG	72.06 x 24.06 x 36.06	1830 x 611 x 916	Gray	38.03	966	29.12	740	4	35
A722436FSDA	72.06 x 24.06 x 36.06	1830 x 611 x 916	White	38.03	966	29.12	740	4	35
A723636FSDAG	72.06 x 36.06 x 36.06	1830 x 916 x 916	Gray	38.03	966	29.12	740	4	35
A723636FSDA	72.06 x 36.06 x 36.06	1830 x 916 x 916	White	38.03	966	29.12	740	4	35
A903636FSDAG	90.06 x 36.06 x 36.06	2288 x 916 x 916	Gray	47.03	1195	38.12	968	4	45
A903636FSDA	90.06 x 36.06 x 36.06	2288 x 916 x 916	White	47.03	1195	38.12	968	4	45

Four lifting eyes are furnished if C = 30.06 (764mm) or more.

Removable 12.00 x 12.00 (305mm x 305mm) data pocket.

Seismic accessories are available for one-door enclosures.



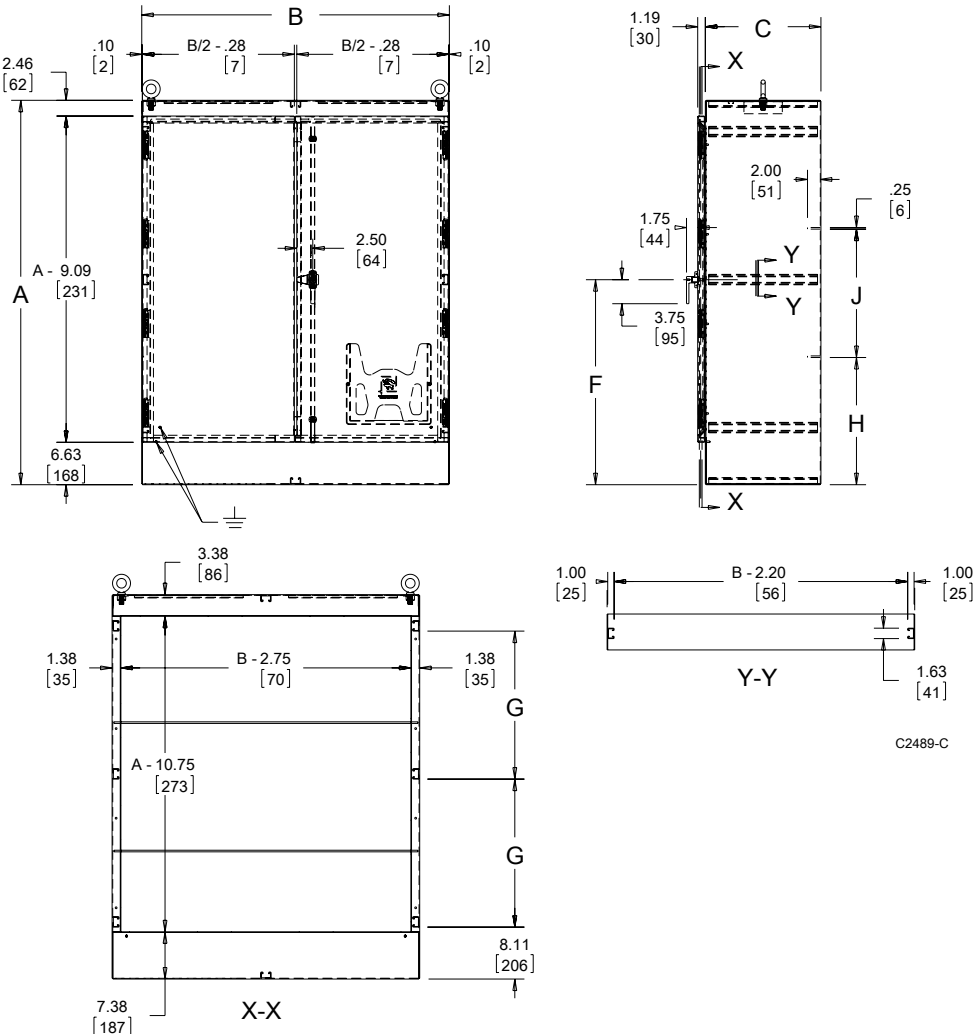
Standard Product **Two-Door Single-Access**

Catalog Number	AxBxC in.	AxBxC mm	Interior Finish	F (in.)	F (mm)	G (in.)	G (mm)	H (in.)	H (mm)	J (in.)	J (mm)	Number of Lifting Eyes	Number of Rack Units
A604818FSDG	60.06 x 48.06 x 18.06	1526 x 1221 x 459	Gray	32.03	814	23.12	587	19.88	505	20.03	509	2	28
A604818FSD	60.06 x 48.06 x 18.06	1526 x 1221 x 459	White	32.03	814	23.12	587	19.88	505	20.03	509	2	28
A724818FSDG	72.06 x 48.06 x 18.06	1830 x 1221 x 459	Gray	38.03	966	29.12	740	23.88	607	24.03	610	2	35
A724818FSD	72.06 x 48.06 x 18.06	1830 x 1221 x 459	White	38.03	966	29.12	740	23.88	607	24.03	610	2	35
A726018FSDG	72.06 x 60.06 x 18.06	1830 x 1526 x 459	Gray	38.03	966	29.12	740	23.88	607	24.03	610	2	35
A726018FSD	72.06 x 60.06 x 18.06	1830 x 1526 x 459	White	38.03	966	29.12	740	23.88	607	24.03	610	2	35
A727218FSDG	72.06 x 72.06 x 18.06	1830 x 1830 x 459	Gray	38.03	966	29.12	740	23.88	607	24.03	610	2	35
A727218FSD	72.06 x 72.06 x 18.06	1830 x 1830 x 459	White	38.03	966	29.12	740	23.88	607	24.03	610	2	35
A904820FSDG	90.06 x 48.06 x 20.06	2288 x 1221 x 510	Gray	47.03	1195	38.12	968	29.88	759	30.03	763	2	45
A904820FSD	90.06 x 48.06 x 20.06	2288 x 1221 x 510	White	47.03	1195	38.12	968	29.88	759	30.03	763	2	45
A907220FSDG	90.06 x 72.06 x 20.06	2288 x 1830 x 510	Gray	47.03	1195	38.12	968	29.88	759	30.03	763	2	45
A907220FSD	90.06 x 72.06 x 20.06	2288 x 1830 x 510	White	47.03	1195	38.12	968	29.88	759	30.03	763	2	45
A724824FSDG	72.06 x 48.06 x 24.06	1830 x 1221 x 611	Gray	38.03	966	29.12	740	23.88	607	24.03	610	2	35
A724824FSD	72.06 x 48.06 x 24.06	1830 x 1221 x 611	White	38.03	966	29.12	740	23.88	607	24.03	610	2	35
A726024FSDG	72.06 x 60.06 x 24.06	1830 x 1526 x 611	Gray	38.03	966	29.12	740	23.88	607	24.03	610	2	35
A726024FSD	72.06 x 60.06 x 24.06	1830 x 1526 x 611	White	38.03	966	29.12	740	23.88	607	24.03	610	2	35
A727224FSDG	72.06 x 72.06 x 24.06	1830 x 1830 x 611	Gray	38.03	966	29.12	740	23.88	607	24.03	610	2	35
A727224FSD	72.06 x 72.06 x 24.06	1830 x 1830 x 611	White	38.03	966	29.12	740	23.88	607	24.03	610	2	35
A907224FSDG	90.06 x 72.06 x 24.06	2288 x 1830 x 611	Gray	47.03	1195	38.12	968	29.88	759	30.03	763	2	45
A907224FSD	90.06 x 72.06 x 24.06	2288 x 1830 x 611	White	47.03	1195	38.12	968	29.88	759	30.03	763	2	45
A726036FSDG	72.06 x 60.06 x 36.06	1830 x 1526 x 916	Gray	38.03	966	29.12	740	23.88	607	24.03	610	4	35
A726036FSD	72.06 x 60.06 x 36.06	1830 x 1526 x 916	White	38.03	966	29.12	740	23.88	607	24.03	610	4	35
A907236FSDG	90.06 x 72.06 x 36.06	2288 x 1830 x 916	Gray	47.03	1195	38.12	968	29.88	759	30.03	763	4	45
A907236FSD	90.06 x 72.06 x 36.06	2288 x 1830 x 916	White	47.03	1195	38.12	968	29.88	759	30.03	763	4	45

Four lifting eyes are furnished if C = 30.06 (764mm) or more.

Removable 12.00 x 12.00 (305mm x 305mm) data pocket.

Seismic accessories are not applicable for two-door enclosures.



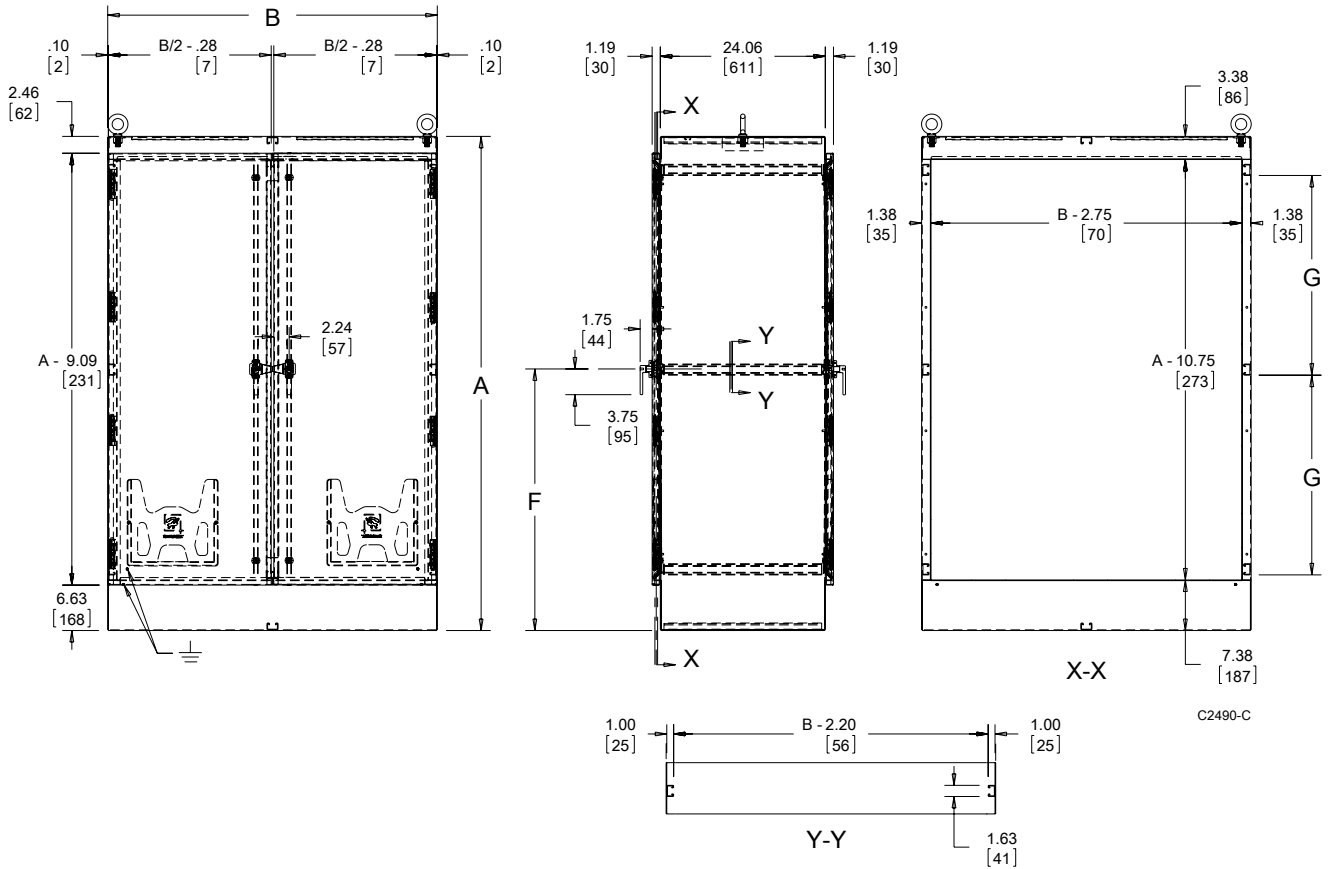
Standard Product **Two-Door Dual-Access**

Catalog Number	AxBxC in.	AxBxC mm	Interior Finish	F (in.)	F (mm)	G (in.)	G (mm)	Number of Lifting Eyes	Number of Rack Units
A724824FSDADG	72.06 x 48.06 x 24.06	1830 x 1221 x 611	Gray	38.03	966	29.12	740	2	35
A724824FSDAD	72.06 x 48.06 x 24.06	1830 x 1221 x 611	White	38.03	966	29.12	740	2	35
A726024FSDADG	72.06 x 60.06 x 24.06	1830 x 1526 x 611	Gray	38.03	966	29.12	740	2	35
A726024FSDAD	72.06 x 60.06 x 24.06	1830 x 1526 x 611	White	38.03	966	29.12	740	2	35
A727224FSDADG	72.06 x 72.06 x 24.06	1830 x 1830 x 611	Gray	38.03	966	29.12	740	2	35
A727224FSDAD	72.06 x 72.06 x 24.06	1830 x 1830 x 611	White	38.03	966	29.12	740	2	35
A726036FSDADG	72.06 x 60.06 x 36.06	1830 x 1526 x 916	Gray	38.03	966	29.12	740	4	35
A726036FSDAD	72.06 x 60.06 x 36.06	1830 x 1526 x 916	White	38.03	966	29.12	740	4	35
A907224FSDADG	90.06 x 72.06 x 24.06	2288 x 1830 x 611	Gray	47.03	1195	38.12	968	2	45
A907224FSDAD	90.06 x 72.06 x 24.06	2288 x 1830 x 611	White	47.03	1195	38.12	968	2	45

Four lifting eyes are furnished if C = 30.06 (764mm) or more.

Removable 12.00 x 12.00 (305mm x 305mm) data pocket.

Seismic accessories are not applicable for two-door enclosures.



Notes

SEISMIC ACCESSORIES



To meet GR-63-CORE Zone 4 seismic standards, Free-Stand enclosures must include the following accessories (purchased separately):

For Seismic Free-Stand with Panel

- Seismic Mounting Plate Kit
- Seismic Panel Mounting Kit
- Panel, Full-Length

For Seismic Free-Stand with Rack Angles

- Seismic Mounting Plate Kit
- Rack Mounting Angles - L-Style (Type RP), Full

SEISMIC MOUNTING PLATE KITS



Kit of six (6) stainless steel mounting plates install over the mounting holes in the base of the enclosure. The mounting plates come predrilled to accept 1/2-in., 5/8-in. or 3/4-in. diameter mounting hardware (not included). Plate dimensions are 3.75 x 3.75 x .25 in. (95 x 95 x 6 mm).

BULLETIN: DCY

Standard Product

Catalog Number	Description	Anchor Size
ASMP12SS	Seismic Mounting Plate, 1/2-in.	1/2 in.
ASMP58SS	Seismic Mounting Plate, 5/8-in.	5/8 in.
ASMP34SS	Seismic Mounting Plate, 3/4-in.	3/4 in.

SEISMIC PANEL MOUNTING KITS



Kit of two (2) panel supports install within the enclosure. Use mounting hardware furnished within these kits along with panel hardware to mount full panels.

BULLETIN: DCY

Standard Product

Catalog Number	Description	Fits Enclosure A in./mm
ASPANKIT60	Seismic Panel Mounting Kit, 60-in.	60 1524
ASPANKIT72	Seismic Panel Mounting Kit, 72-in.	72 1829
ASPANKIT90	Seismic Panel Mounting Kit, 90-in.	90 2286

PANELS



Full panels mount within the enclosure using seismic panel mounting kits. Panels are 12 gauge steel and are finished with white polyester power paint or a conductive, corrosion resistant coating.

BULLETIN: PNL30

Standard Product

Catalog Number	Description	Panel Size in./mm	Fits Enclosure A x B in./mm
A60P24F1	Steel	48.00 x 20.00 1219 x 508	60.00 x 24.00 1524 x 610
A60P24F1G	Conductive	48.00 x 20.00 1219 x 508	60.00 x 24.00 1524 x 610
A90P24F1	Steel	78.00 x 20.00 1981 x 508	90.00 x 24.00 90.00 x 24.00
A72P24F1	Steel	60.00 x 20.00 1524 x 508	72.00 x 24.00 1829 x 610
A72P24F1G	Conductive	60.00 x 20.00 1524 x 508	72.00 x 24.00 1829 x 610
A90P24F1G	Conductive	78.00 x 20.00 1981 x 508	90.00 x 24.00 90.00 x 24.00
A72P30F1	Steel	60.00 x 26.00 1524 x 660	72.00 x 30.00 1829 x 762
A72P30F1G	Conductive	60.00 x 26.00 1524 x 660	72.00 x 30.00 1829 x 762
A60P36F1	Steel	48.00 x 32.00 1219 x 813	60.00 x 36.00 1524 x 914
A60P36F1G	Conductive	48.00 x 32.00 1219 x 813	60.00 x 36.00 1524 x 914
A60P48F1	Steel	48.00 x 42.00 1219 x 1118	60.00 x 48.00 1524 x 1219
A72P36F1	Steel	60.00 x 32.00 1524 x 813	72.00 x 36.00 1829 x 914
A72P36F1G	Conductive	60.00 x 32.00 1524 x 813	72.00 x 36.00 1829 x 914
A90P36F1	Steel	78.00 x 32.00 1981 x 813	90.00 x 36.00 2286 x 914
A90P36F1G	Conductive	78.00 x 32.00 1981 x 813	90.00 x 36.00 2286 x 914