

Day-Brite



by Signify

Industrial

VTS Sealed Strip

2', 4', & 8' LED dual select



Day-Brite/CFI VTS Sealed strip is a durable wet location rated product designed for use in both indoor and outdoor environments. This luminaire offers rugged reliability, selectability and the efficiency your successful business requires.



Project: _____
 Location: _____
 Cat.No: _____
 Type: _____
 Lumens: _____ Qty: _____
 Notes: _____

Ordering guide

Example: Example: VTS42856L8CST-UN3-DIM

Series	Length (nom.)	Lumens (nominal lumens) ¹	CRI / CCT (color temps)	Voltage / Dimming
VTS			—	UN3-DIM
VTS Sealed Strip LED dual select	2 2' length	25L 2500lm	840 80 CRI, 4000K	UN3-DIM Universal voltage 120-347V (0-10V dimmable)
	4 4' length	2028L Field selectable (2000/2400/2800lm) ²	8CST 80 CRI, Field selectable (3500/4000/5000K) ²	
	8 8' length	50L 5000lm	840 80 CRI, 4000K	
		2856L Field selectable (2800/4200/5600lm) ²	8CST 80 CRI, Field selectable (3500/4000/5000K) ²	
		100L 10000lm	840 80 CRI, 4000K	
		80130L Field selectable (8000/11000/13000lm) ²	8CST 80 CRI, Field selectable (3500/4000/5000K) ²	

Features

- Body:** Grey one piece, molded 5VA grade polycarbonate body. No rusting, no oxidation, and no corrosion.
- Lens:** Polycarbonate frosted lens. UL94-V0 rated.
- Construction:** Gasket provides tight seal between plastic lens and housing.
- Power connection:** Metal gland (NPT 1/2).
- Fasteners:** Stainless steel latches are standard.
- Selectable version default setting:** 4000K correlated color temperature (CCT) and max available lumens.
- Brackets:** Wrap around mounting brackets included (set of 2).
- Accessories:** Screws and expansion bolts included (set of 4).
- Mountings:** Hanging V hooks included (set of 2).
- Listings:** cULus listed to meet UL 1598 standards for -30°C to 40°C ambient. Suitable for wet locations.
- Certifications:** DLC 5.1 Standard, NEMA4X
- Ratings:** IP66 rated.
- Warranty:** 5 Year Limited Warranty

Wattage and Lumen Values

Ordering Guide	Color Temp. (K) ³	Average System Wattage ⁴	Lumen Output ^{3,4}	Efficacy (LPW)	CRI
VTS225L840-UN3-DIM	4000	22W	2500lm	115	>80
VTS22028L8CST-UN3-DIM	3500/4000/5000	21W/17W/14W	2000lm/2400lm/2800lm	140	>80
VTS450L840-UN3-DIM	4000	44W	5000lm	115	>80
VTS42856L8CST-UN3-DIM	3500/4000/5000	46W/32W/22W	2800lm/4200lm/5600lm	125	>80
VTS8100L840-UN3-DIM	4000	80W	10000lm	125	>80
VTS880130L8CST-UN3-DIM	3500/4000/5000	94W/78W/57W	8000lm/11000lm/13000lm	138	>80

1. Nominal delivered lumens at 25°C ambient.
 2. Selectable default settings. CCT: 4000K Lumens: Max available lumens.
 3. On selectable configurations default setting is CCT 4000K and max available lumens
 4. Wattage and lumen output may vary by +/-10% due to actual input voltage.
 5. Lumen values based on photometric tests performed in compliance with IESNA LM-79.



VTS Sealed Strip

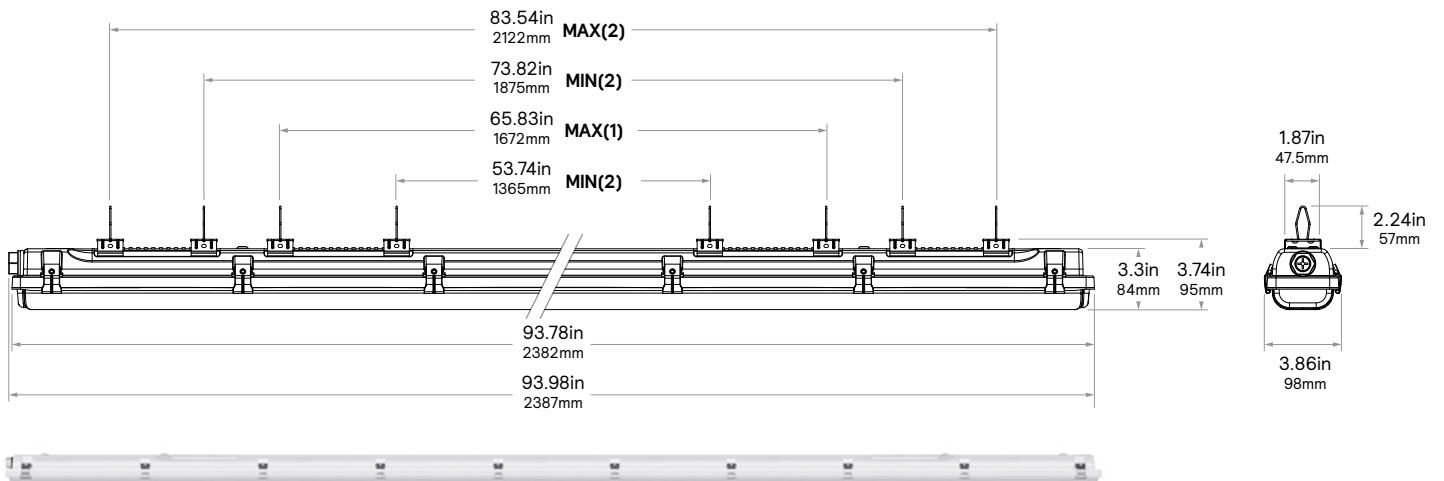
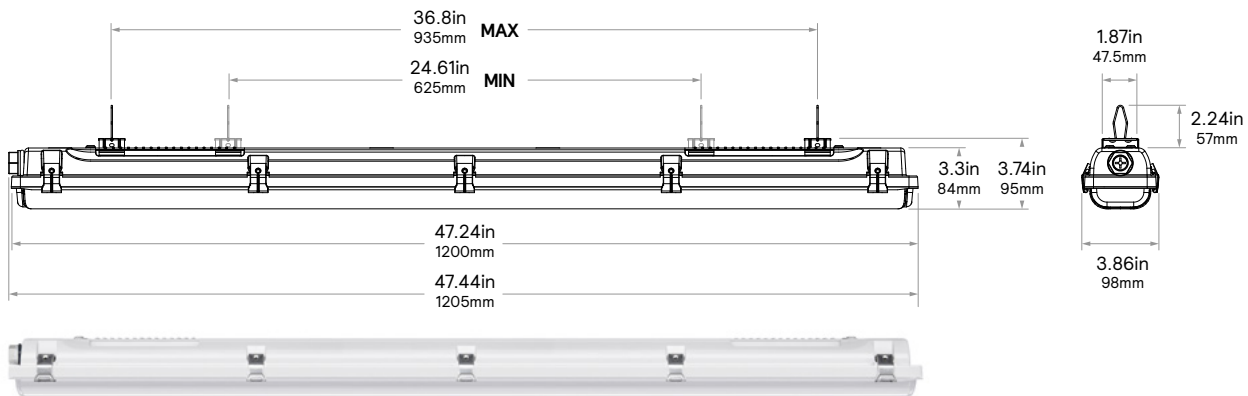
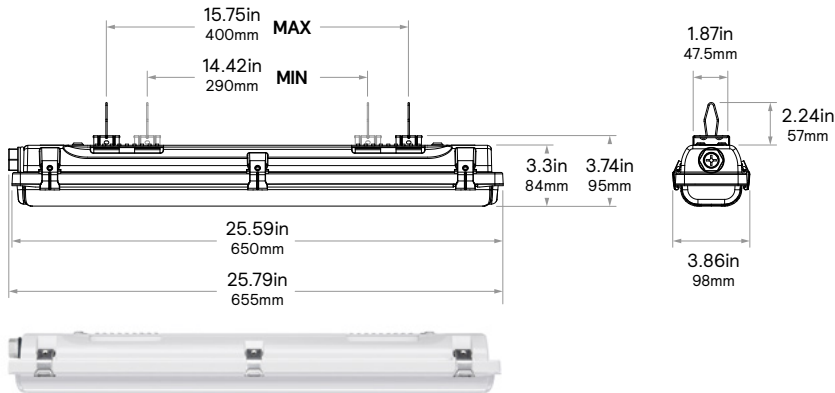
2', 4', & 8' LED dual select

Predicted Lumen Depreciation Data

Ambient Temperature °C	L70 per TM21 ^{1,2}
25°C	50,000hrs

- L70 is the predicted time when LED performance depreciates to 70% of initial lumen output.
- Calculated per IESNA TM 21-11. Published L70 hours limited to 6 times actual LED test hours.

Dimensions



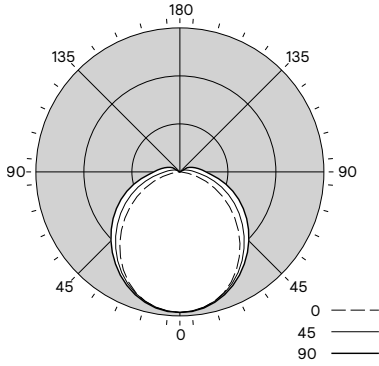
VTS Sealed Strip

2', 4', & 8' LED dual select

Photometry

VTS225L840-UN3-DIM

Luminaire Lumens	2507
Luminaire Efficacy Rating (LER)	114
Total Luminaire Watts	22
Spacing Criterion (0-180)	1.20
Spacing Criterion (90-270)	1.28



Candela Distribution						Flux
	0	22.5	45	67.5	90	Lumens
0	781	781	781	781	781	
5	777	776	775	774	779	74
15	744	743	744	746	750	210
25	675	678	686	691	696	316
35	576	585	602	617	624	378
45	460	475	505	532	542	391
55	337	360	402	439	453	361
65	213	248	298	343	361	296
75	97	142	197	247	265	208
85	11	56	111	158	176	122
90	4	32	84	128	145	

Zonal Lumen Summary			
Zone	Lumens	%Fixture	%Lamp
0-30	601	24.0%	24.0%
0-40	979	39.0%	39.0%
0-60	1731	69.1%	69.1%
0-90	2356	94.0%	94.0%

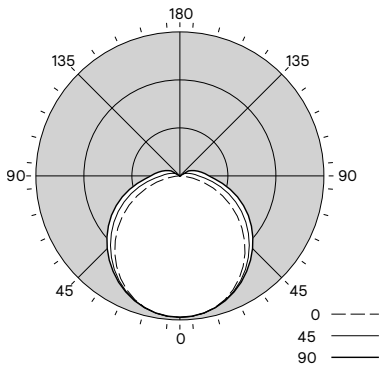
Avg. Luminance (cd/m ²)			
	0	45	90
45	10055	9197	9425
55	8911	8300	8808
65	7427	7360	8232
75	5182	6311	7619
85	1286	5251	7081

Coefficients of Utilization % (Based on a floor reflectance of 0.2)												
Pc---		80				70			50		0	
Pw---		70	50	30	10	70	50	30	50	30	10	0
R.C.R	0	118	118	118	118	114	114	114	108	108	108	94
	1	106	101	96	91	103	98	93	92	89	85	76
	2	96	87	80	74	93	85	78	80	74	70	62
	3	87	76	68	61	84	74	66	70	63	58	52
	4	80	67	58	51	77	66	57	62	55	49	44
	5	73	60	51	44	71	59	50	56	48	42	38
	6	68	54	45	38	65	53	44	50	43	37	33
	7	63	49	40	34	61	48	39	46	38	33	29
	8	58	45	36	30	56	44	35	42	34	29	26
	9	54	41	33	27	53	40	32	38	31	26	23
	10	51	38	30	24	49	37	29	36	29	24	21

* Based on a floor reflectance of 0.2

VTS450L840-UN3-DIM

Luminaire Lumens	5012
Luminaire Efficacy Rating (LER)	114
Total Luminaire Watts	44
Spacing Criterion (0-180)	1.26
Spacing Criterion (90-270)	1.30



Candela Distribution						Flux
	0	22.5	45	67.5	90	Lumens
0	1473	1473	1473	1473	1473	
5	1470	1470	1469	1468	1467	139
15	1418	1420	1422	1423	1422	399
25	1310	1316	1327	1336	1335	606
35	1150	1165	1190	1211	1214	734
45	952	979	1023	1063	1071	776
55	730	771	838	896	910	730
65	492	554	641	713	732	608
75	251	338	441	521	544	432
85	48	149	258	341	365	256
90	6	88	195	277	304	

Zonal Lumen Summary			
Zone	Lumens	%Fixture	%Lamp
0-30	1144	22.8%	22.8%
0-40	1879	37.5%	37.5%
0-60	3384	67.5%	67.5%
0-90	4680	93.4%	93.4%

Avg. Luminance (cd/m ²)			
	0	45	90
45	11521	10217	10094
55	10773	9532	9585
65	9677	8771	9055
75	7773	7857	8451
85	3760	6904	7972

Coefficients of Utilization % (Based on a floor reflectance of 0.2)												
Pc---		80				70			50		0	
Pw---		70	50	30	10	70	50	30	50	30	10	0
R.C.R	0	117	117	117	117	114	114	114	107	107	107	93
	1	105	100	95	90	102	97	92	91	88	84	74
	2	95	86	79	72	92	84	77	79	73	68	60
	3	86	75	66	59	83	73	65	69	62	56	50
	4	79	66	57	50	76	64	56	61	54	48	42
	5	72	59	50	43	70	57	49	54	47	41	36
	6	67	53	44	37	64	52	43	49	41	36	32
	7	62	48	39	32	60	47	38	45	37	31	28
	8	57	44	35	29	55	43	34	41	33	28	25
	9	54	40	32	26	52	39	31	37	30	25	22
	10	50	37	29	23	49	36	28	35	28	23	20

* Based on a floor reflectance of 0.2

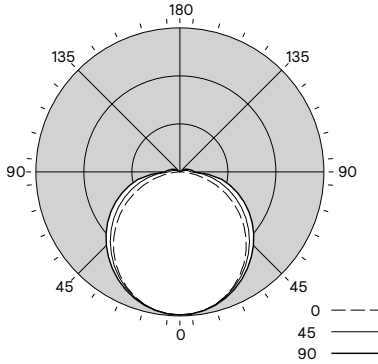
VTS Sealed Strip

2', 4', & 8' LED dual select

Photometry

VTS8100L840-UN3-DIM

Luminaire Lumens	10015
Luminaire Efficacy Rating (LER)	125
Total Luminaire Watts	80
Spacing Criterion (0-180)	1.26
Spacing Criterion (90-270)	1.30



Candela Distribution						Flux
	0	22.5	45	67.5	90	Lumens
0	2982	2982	2982	2982	2982	
5	2970	2968	2967	2966	2968	282
15	2859	2857	2861	2869	2874	809
25	2638	2643	2662	2685	2697	1231
35	2329	2344	2384	2431	2454	1500
45	1949	1979	2051	2132	2167	1594
55	1517	1567	1679	1791	1838	1513
65	1046	1129	1281	1418	1475	1274
75	558	688	873	1022	1082	919
85	138	308	471	565	599	488
90	40	142	238	297	310	

Zonal Lumen Summary			
Zone	Lumens	%Fixture	%Lamp
0-30	2323	23.2%	23.2%
0-40	3822	38.2%	38.2%
0-60	6929	69.2%	69.2%
0-90	9610	96.0%	96.0%

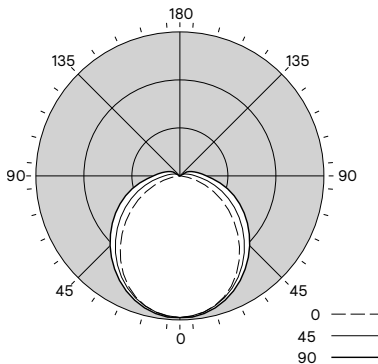
Avg. Luminance (cd/m ²)			
	0	45	90
45	12024	10395	10286
55	11475	9713	9755
65	10643	8937	9190
75	9096	7978	8476
85	6127	6533	6588

Coefficients of Utilization % (Based on a floor reflectance of 0.2)														
Pc---		80				70				50				0
Pw---		70	50	30	10	70	50	30	50	30	10	0	0	
RCR	0	118	118	118	118	115	115	115	109	109	109	96	96	
	1	106	101	96	91	103	98	94	93	89	86	77	77	
	2	96	87	79	73	93	85	78	80	74	70	63	63	
	3	87	76	67	60	84	74	66	70	63	58	52	52	
	4	79	67	57	50	77	65	56	62	55	49	44	44	
	5	73	59	50	43	70	58	49	55	48	42	38	38	
	6	67	53	44	37	65	52	43	50	42	36	33	33	
	7	62	48	39	33	60	47	39	45	38	32	29	29	
	8	58	44	35	29	56	43	35	41	34	29	26	26	
	9	54	40	32	26	52	40	31	38	31	26	23	23	
	10	51	37	29	24	49	36	29	35	28	23	21	21	

* Based on a floor reflectance of 0.2

VTS22028L8CST-UN3-DIM

Luminaire Lumens	2807
Luminaire Efficacy Rating (LER)	134
Total Luminaire Watts	21
Spacing Criterion (0-180)	1.20
Spacing Criterion (90-270)	1.28



Candela Distribution						Flux
	0	22.5	45	67.5	90	Lumens
0	886	886	886	886	886	
5	880	879	878	877	886	84
15	840	841	842	844	854	238
25	760	765	774	782	793	358
35	645	658	680	698	711	426
45	511	533	569	601	617	439
55	371	402	452	496	516	403
65	233	275	335	390	413	330
75	106	159	224	284	308	233
85	12	64	129	184	205	136
90	5	37	97	148	166	

Zonal Lumen Summary			
Zone	Lumens	%Fixture	%Lamp
0-30	680	24.2%	24.2%
0-40	1106	39.4%	39.4%
0-60	1948	69.4%	69.4%
0-90	2647	94.3%	94.3%

Avg. Luminance (cd/m ²)			
	0	45	90
45	11180	10368	10731
55	9829	9337	10027
65	8122	8292	9425
75	5651	7181	8847
85	1403	6098	8275

Coefficients of Utilization % (Based on a floor reflectance of 0.2)														
Pc---		80				70				50				0
Pw---		70	50	30	10	70	50	30	50	30	10	0		
RCR	0	118	118	118	118	114	114	114	108	108	108	94		
	1	106	101	96	91	103	98	93	92	89	85	76		
	2	96	87	80	73	93	85	78	80	74	70	62		
	3	87	76	67	61	84	74	66	70	63	58	52		
	4	80	67	58	51	77	65	57	62	55	49	44		
	5	73	60	51	44	71	58	50	56	48	42	38		
	6	68	54	45	38	65	53	44	50	43	37	33		
	7	63	49	40	34	61	48	39	46	38	33	29		
	8	58	45	36	30	56	44	35	42	34	29	26		
	9	54	41	33	27	53	40	32	38	31	26	24		
	10	51	38	30	24	49	37	29	36	29	24	21		

* Based on a floor reflectance of 0.2

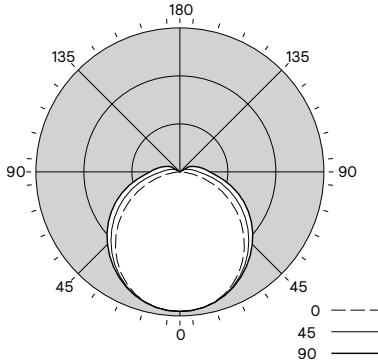
VTS Sealed Strip

2', 4', & 8' LED dual select

Photometry

VTS42856L8CST-UN3-DIM

Luminaire Lumens	5615
Luminaire Efficacy Rating (LER)	122
Total Luminaire Watts	46
Spacing Criterion (0-180)	1.26
Spacing Criterion (90-270)	1.30



Candela Distribution						Flux
	0	22.5	45	67.5	90	Lumens
0	1647	1647	1647	1647	1647	
5	1644	1644	1643	1643	1641	156
15	1588	1591	1593	1596	1594	446
25	1467	1476	1490	1501	1500	677
35	1289	1307	1339	1363	1367	821
45	1068	1099	1151	1199	1209	867
55	819	865	944	1012	1030	816
65	552	620	722	807	833	681
75	283	377	496	592	622	485
85	55	164	291	389	422	288
90	7	96	220	318	352	

Zonal Lumen Summary			
Zone	Lumens	%Fixture	%Lamp
0-30	1279	22.8%	22.8%
0-40	2100	37.4%	37.4%
0-60	3783	67.4%	67.4%
0-90	5237	93.3%	93.3%

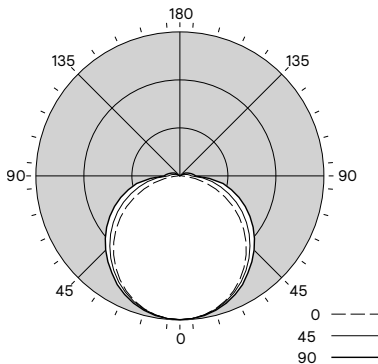
Avg. Luminance (cd/m ²)			
	0	45	90
45	12916	11502	11396
55	12081	10732	10855
65	10862	9878	10298
75	8761	8853	9670
85	4311	7793	9207

Coefficients of Utilization % (Based on a floor reflectance of 0.2)												
Pc---		80			70			50			0	
Pw---		70	50	30	10	70	50	30	50	30	10	0
R.C.R	0	117	117	117	117	114	114	114	107	107	107	93
	1	105	100	95	90	102	97	92	91	88	84	74
	2	95	86	78	72	92	83	77	79	73	68	60
	3	86	75	66	59	83	73	65	69	62	56	50
	4	79	66	57	50	76	64	56	61	53	48	42
	5	72	59	49	42	70	57	49	54	47	41	36
	6	67	53	44	37	64	51	43	49	41	36	32
	7	62	48	39	32	60	47	38	44	37	31	28
	8	57	43	35	29	55	42	34	41	33	28	25
	9	54	40	31	26	52	39	31	37	30	25	22
	10	50	37	29	23	49	36	28	34	27	23	20

* Based on a floor reflectance of 0.2

VTS880130L8CST-UN3-DIM

Luminaire Lumens	11019
Luminaire Efficacy Rating (LER)	117
Total Luminaire Watts	94
Spacing Criterion (0-180)	1.24
Spacing Criterion (90-270)	1.30



Candela Distribution						Flux
	0	22.5	45	67.5	90	Lumens
0	3295	3295	3295	3295	3295	
5	3280	3280	3280	3282	3283	312
15	3154	3157	3166	3180	3187	894
25	2908	2919	2948	2982	2999	1359
35	2564	2571	2642	2687	2717	1650
45	2143	2170	2273	2359	2405	1752
55	1666	1717	1864	1987	2049	1663
65	1139	1235	1425	1578	1653	1399
75	607	752	968	1143	1224	1006
85	149	335	527	636	682	531
90	45	154	267	339	364	

Zonal Lumen Summary			
Zone	Lumens	%Fixture	%Lamp
0-30	2565	23.3%	23.3%
0-40	4215	38.3%	38.3%
0-60	7630	69.2%	69.2%
0-90	10566	95.9%	95.9%

Avg. Luminance (cd/m ²)			
	0	45	90
45	13222	11522	11418
55	12606	10777	10873
65	11595	9945	10302
75	9898	8851	9589
85	6604	7308	7499

Coefficients of Utilization % (Based on a floor reflectance of 0.2)												
Pc---		80			70			50			0	
Pw---		70	50	30	10	70	50	30	50	30	10	0
R.C.R	0	118	118	118	118	115	115	115	109	109	109	96
	1	106	101	96	91	103	98	93	93	89	86	77
	2	96	87	79	73	93	84	78	80	74	69	63
	3	87	76	67	60	84	74	66	70	63	57	52
	4	79	67	57	50	77	65	56	62	54	49	44
	5	73	59	50	43	70	58	49	55	48	42	38
	6	67	53	44	37	65	52	43	50	42	36	33
	7	62	48	39	33	60	47	39	45	38	32	29
	8	58	44	35	29	56	43	35	41	34	29	26
	9	54	40	32	26	52	39	31	38	31	26	23
	10	51	37	29	24	49	36	29	35	28	23	21

* Based on a floor reflectance of 0.2



© 2023 Signify Holding. All rights reserved. The information provided herein is subject to change, without notice. Signify does not give any representation or warranty as to the accuracy or completeness of the information included herein and shall not be liable for any action in reliance thereon. The information presented in this document is not intended as any commercial offer and does not form part of any quotation or contract, unless otherwise agreed by Signify.

Signify North America Corporation
400 Crossing Blvd, Suite 600
Bridgewater, NJ 08807
Telephone: 800-555-0050

Signify Canada Ltd.
281 Hillmount Road,
Markham, ON, Canada L6C 2S3
Telephone: 800-668-9008

All trademarks are owned by Signify Holding or their respective owners.