



Mark 10 Powerline

MARK 10 POWERLINE ELE DIMMING BALLAST (2) F32T8 120V

For companies looking to make their fixed-output linear T8, 4-pin CFL, and T5/HO fluorescent systems more cost effective and sustainable, Mark 10 Powerline ballasts provide an easy solution without the need for additional control leads. Simply, (1) replace the ballast, (2) replace the switch, (3) dim the lights, that is all it takes. It's that easy to bring the convenience and flexibility of fluorescent dimming to conference rooms, private offices, auditoriums, architectural cove lighting – anywhere dimming is required.

Product data

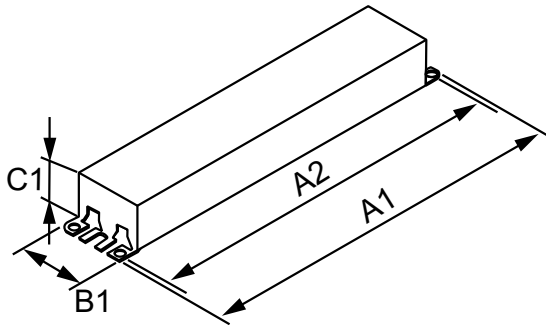
General Information		Input Power (Max)	
Lamp Type	F32T8		68 W
Number of Lamps	2 piece/unit	Input Power (Min)	15 W
Ballast Type	Dimmable Fluorescent	Rated Lamp Power	32 W
Base Model	REZ2S32SC	Wiring	
Suitable For Outdoor Use	Yes	Color Input Terminals	No terminals
Automatic Restart	Yes	Color Output Terminals	No terminals
Operating and Electrical		Wire Striplength	0.50/0.375 mm
Input Voltage	120 V	Control Wire Gauge	NA
Input Frequency	60 Hz	Lamp Connection	Series
Total Harmonic Distortion USA	10 %	Wire Length by Color	See data sheet
Ignition Method	Programmed Start	Wire Gauge (Nom)	18AWG mm
Crestfactor (Nom)	1.6	Wire Type	Solid
Ignition Time (Nom)	1.5 s	Remote Wiring Configuration Allowed	Yes
Ballast Factor (Max)	1	Tandem Wiring Configuration Allowed	Yes
Ballast Factor (Min)	0.05	Through Wiring Configuration Allowed	Yes
Power Factor (Nom)	0.99	Max Ballast-Lamp Distance Remote Wiring	6'
Input Current (Nom)	0.57 A	Max Ballast-Lamp Distance Tandem Wiring	Any = 6'
		Max Ballast-Lamp Distance Through Wiring	Any = 6'

Mark 10 Powerline

Connector Type	No connector
Temperature	
T-Case Maximum (Nom)	70 °C
Mechanical and Housing	
Housing Material	Metal
Housing	SC
Housing Dimensions	9.5" x 1.7" x 1.18"
Approval and Application	
EMC Immunity Standard	FCC Consumer
Approval Marks	CSA certificate UL certificate CEC Listing CEE Rated CSA E NEMA Premium NOM certificate RoHS Compliant

Hum And Noise Level	A
UL Recognized	No
Product Data	
Order product name	MARK 10 POWERLINE ELE DIMMING BALLAST (2) F32T8 120V
EAN/UPC - Product	781087109892
Order code	913700501621
Numerator - Quantity Per Pack	1
Numerator - Packs per outer box	20
Material Nr. (12NC)	913700501621
Net Weight (Piece)	0.487 kg

Dimensional drawing



ELE DIMMING BALLAST (2) F32T8 120V

Product	A1	A2	B1	C1
MARK 10 POWERLINE ELE DIMMING BALLAST (2) F32T8 120V	9.5 in	8.90 in	1.7 in	1.18 in

