



# Mark 10 Powerline

## MARK 10 POWERLINE ELE DIMMING BALLAST (3) F32T8 120V

For companies looking to make their fixed-output linear T8, 4-pin CFL, and T5/HO fluorescent systems more cost effective and sustainable, Mark 10 Powerline ballasts provide an easy solution without the need for additional control leads. Simply, (1) replace the ballast, (2) replace the switch, (3) dim the lights, that is all it takes. It's that easy to bring the convenience and flexibility of fluorescent dimming to conference rooms, private offices, auditoriums, architectural cove lighting – anywhere dimming is required.

### Product data

| General Information           |                      |
|-------------------------------|----------------------|
| Lamp Type                     | F32T8                |
| Number of Lamps               | 3 piece/unit         |
| Ballast Type                  | Dimmable Fluorescent |
| Base Model                    | REZ3S32SC            |
| Suitable For Outdoor Use      | Yes                  |
| Automatic Restart             | Yes                  |
| Operating and Electrical      |                      |
| Input Voltage                 | 120 V                |
| Input Frequency               | 60 Hz                |
| Total Harmonic Distortion USA | 10 %                 |
| Ignition Method               | Programmed Start     |
| Crestfactor (Nom)             | 1.6                  |
| Ignition Time (Nom)           | 1.5 s                |
| Ballast Factor (Max)          | 0.97                 |
| Ballast Factor (Min)          | 0.05                 |
| Power Factor (Nom)            | 0.99                 |
| Input Current (Nom)           | 0.8 A                |

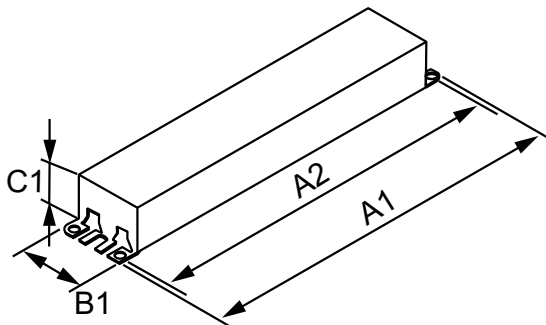
| Input Power (Max)                        | 96 W           |
|--|----------------|
| Input Power (Min)                        | 20 W           |
| Rated Lamp Power                         | 32 W           |
| Wiring                                   |                |
| Color Input Terminals                    | No terminals   |
| Color Output Terminals                   | No terminals   |
| Wire Striplength                         | 0.50/0.375 mm  |
| Control Wire Gauge                       | NA             |
| Lamp Connection                          | Series         |
| Wire Length by Color                     | See data sheet |
| Wire Gauge (Nom)                         | 18AWG mm       |
| Wire Type                                | Solid          |
| Remote Wiring Configuration Allowed      | No             |
| Tandem Wiring Configuration Allowed      | No             |
| Through Wiring Configuration Allowed     | No             |
| Max Ballast-Lamp Distance Remote Wiring  | No Remote      |
| Max Ballast-Lamp Distance Tandem Wiring  | No Tandem      |
| Max Ballast-Lamp Distance Through Wiring | No Through     |

## Mark 10 Powerline

|                                 |  |
|---------------------------------|--|
| Connector Type                  | No connector   |
| <b>Temperature</b>              |  |
| T-Case Maximum (Nom)            | 70 °C  |
| <b>Mechanical and Housing</b>   |  |
| Housing Material                | Metal  |
| Housing                         | SC   |
| Housing Dimensions              | 9.5" x 1.7" x 1.18"  |
| <b>Approval and Application</b> |  |
| EMC Immunity Standard           | FCC Consumer   |
| Approval Marks                  | CSA certificate UL certificate CEC Listing<br>CEE Rated NEMA Premium RoHS<br>Compliant |

|                                 |  |
|---------------------------------|--|
| Hum And Noise Level             | A  |
| UL Recognized                   | No   |
| <b>Product Data</b>             |  |
| Order product name              | MARK 10 POWERLINE ELE DIMMING BALLAST (3) F32T8 120V |
| EAN/UPC - Product               | 781087106976   |
| Order code                      | 913700507891   |
| Numerator - Quantity Per Pack   | 1  |
| Numerator - Packs per outer box | 20   |
| Material Nr. (12NC)             | 913700507891   |
| Net Weight (Piece)              | 450.000 g  |

### Dimensional drawing



ELE DIMMING BALLAST (3) F32T8 120V

| Product  | A1     | A2      | B1     | C1      |
|--|--------|---------|--------|---------|
| MARK 10 POWERLINE ELE DIMMING BALLAST (3) F32T8 120V | 9.5 in | 8.90 in | 1.7 in | 1.18 in |

