

# Day-Brite

## CFI

by Signify

Linear

OWL wraparound

2', 4', 8'  
3000, 4000, 5000, or 7000lm



Day-Brite / CFI OWL LED wraparound is the ideal surface mount general illumination luminaire for light commercial and residential applications. The high efficiency LED light engine provides exceptional performance coupled with quality visual light.

Project: \_\_\_\_\_  
 Location: \_\_\_\_\_  
 Cat.No: \_\_\_\_\_  
 Type: \_\_\_\_\_  
 Lamps: \_\_\_\_\_ Qty: \_\_\_\_\_  
 Notes: \_\_\_\_\_

### Ordering guide

Example: OWL240L840-UNV-DIM

| Series                           | Length                                       | Lumen Package <sup>2</sup>  | Color Temp.  | Voltage                                       | Driver  |
|----------------------------------|--|---|--|---|---|
| <input type="text" value="OWL"/> | <input type="text"/>                         | <input type="text"/>  | <input type="text"/> -   | <input type="text"/> -                        | <input type="text"/>  |
| OWL OW LED wraparound            | 2' 2' length<br>4' 4' length<br>8' 8' length | 30L 3000 lumens<br>40L 4000 lumens<br>40L 4000 lumens<br>50L <sup>3</sup> 5000 lumens<br>70L <sup>3</sup> 7000 lumens | 830 80 CRI, 3000K<br>835 80 CRI, 3500K<br>840 80 CRI, 4000K<br>850 80 CRI, 5000K | UNV Universal voltage<br>120/277V<br>347 347V | Non-dim <sup>4</sup><br>DIM 0-10v dimming driver<br>SDIM <sup>3</sup> Step dimming to 40% input power<br>EMLED <sup>5</sup> Integral emergency battery pack<br>GLR Fusing, fast blow<br>BAC <sup>6</sup> Meets the requirements of the Buy American Act of 1933 (BAA) |

### Footnotes

- 1 8' tandem units are double nominal lumens shown. Available in 50L (10,000lm) and 70L (14,000lm) flux packages
- 2 Nominal total delivered lumens
- 3 SDIM option not available on 50L and 70L flux options
- 4 Non-Dim driver option available only on the 2' 3000lm OWL230L.
- 5 EMLLED option not available for 347V 5000lm, 7000lm, 8' 10,000lm and 8' 14,000lm, and 2' models
- 6 Failure to properly select the "BAC" suffix could result in you receiving product that is not BAA compliant product with no recourse for an RMA or refund. This BAC designation hereunder does not address (i) the applicability of, or availability of a waiver under, the Trade Agreements Act, or (ii) the "Buy America" domestic content requirements imposed on states, localities, and other non-federal entities as a condition of receiving funds administered by the Department of Transportation or other federal agencies.
- 7 Consult Signify to confirm whether specific accessories are BAA-compliant.

### Accessories<sup>7</sup> (order separately)

- CS-400 - Rigid Canopy
- CS-500 - 42° Top Swivel Canopy
- CS-12 - 12" Stem
- CS-18 - 18" Stem
- CS-24 - 24" Stem
- CS-30 - 30" Stem
- CS-36 - 36" Stem
- CS-48 - 48" Stem
- MD360 - 120/277V field installed occupancy sensor
- MD360-347 - 347V field installed occupancy sensor

Stems 3/8" Trade Size (5/8" O.D.).  
 Will Work with 1/2" trade size K.O.'s.  
 Locknuts included.

### Replacement Lenses

- 2' OWLED824
- 4' OWLED848
- 8' OWLED848 (2/fixture)



# OWL LED wraparound

2', 4', or 8', 3000, 4000, 5000, or 7000 lumens

## Features

- Tapered shape provides appearance of reduced depth.
- Durable 100% frost acrylic lens shields LEDs from direct view.
- Unique 2' 4000lm configuration can displace a 4' 2x28W T5 fluorescent with 50% smaller carbon footprint.
- 8' tandem 10,000lm (50L) and 14,000lm (70L) units ideal for larger applications.
- Long life LEDs provide 50,000 hours (L70)<sup>1</sup> maintenance free system life.
- Ceiling or suspended mounting.
- Snap in LED pan and driver support is tool free for ease of installation.
- Continuous row mountable.
- 5000lm version capable of providing similar light levels to a 2-light 32W T8 strip while using 15% less energy.<sup>2</sup>
- Continuous 0-10v and 100/40 step dimming options available.
- Minimum operating temperature of -20°C.
- Enclosed lens minimizes penetration of dust, insects and other debris into the lamp compartment.
- Fully enclosed wiring and LED diodes.
- 5 year manufacturer's limited warranty.<sup>1,3</sup>

## Finish

- Housing and end plates are multi-stage phosphate treated for maximum corrosion resistance and finish coat is high reflectance baked white enamel.

## Shielding

- Pattern 12 prismatic acrylic diffuser is specially designed to provide peak performance while minimizing pixilated glare.

## Electrical

- LED boards and drivers are RoHS (Restriction of Hazardous Substances) compliant.
- High power factor solid state driver available with non-dimming, 0-10V dimming, and 100/40 step dimming options.
- Total system life rated at 50,000 hours.
- Maximum ambient temperature of 25°C.
- Suitable for cold locations – minimum ambient temperature of -20°C.

## Materials

- Heavy gauge cold rolled steel housing, end plates, and LED pan.

## Labels

- cETLus listed.
- Suitable for damp locations.
- Many luminaire components, such as reflectors, refractors, lenses, sockets, lampholders, and LEDs are made from various types of plastics which can be adversely affected by airborne contaminants. If sulfur based chemicals, petroleum based products, cleaning solutions, or other contaminants are expected in the intended area of use, consult factory for compatibility.

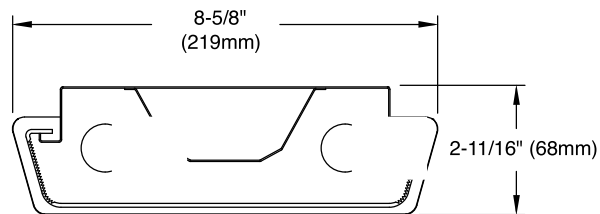
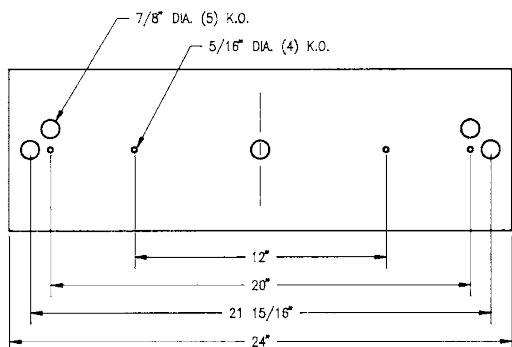
## Footnotes:

1. Based on 25°C ambient operating temperature.
2. OWL450L840 input power is 53W vs a 2-light F32T8 HPF ballast at 277V drawing 62W.
3. Visit [www.signify.com/warranties](http://www.signify.com/warranties) for complete warranty information.

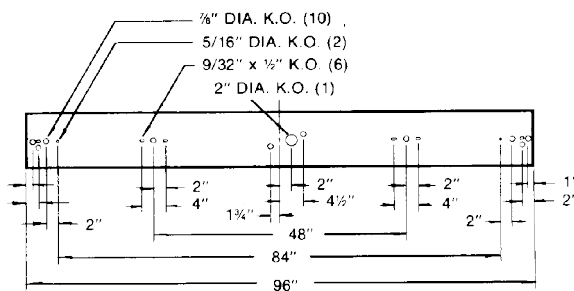
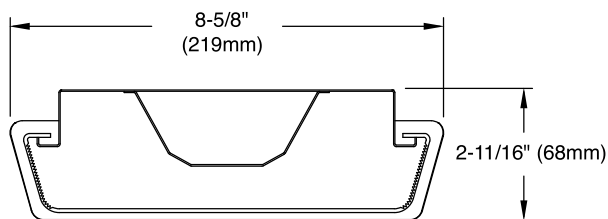
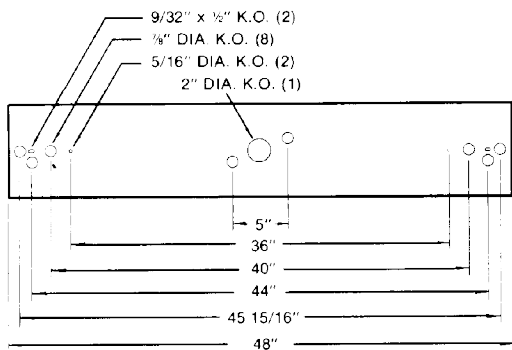
# OWL LED wraparound

2', 4', or 8', 3000, 4000, 5000, or 7000 lumens

## Dimensions 2'



## Dimensions 4' & 8'



# OWL LED wraparound

2', 4', or 8', 3000, 4000, 5000, or 7000 lumens

## OWL LED wraparound 2ft, 3000 nominal delivered lumens

Cat No: OWL230L840-UNV

Report no<sup>1</sup>: 32778  
 Output 3205lms  
 lumens: 4000K  
 CCT<sup>2</sup>: 33W  
 Input watts<sup>3</sup>: 96lm/w  
 Efficacy:  
 Comp Yearly  
 Energy Cost at \$2.50  
 \$0.08/KWh:

### Candela distribution

| Angle | End | 45° | Cross | Back-45 |
|-------|-----|-----|-------|---------|
| 0     | 933 | 933 | 933   | 933     |
| 5     | 926 | 930 | 929   | 930     |
| 15    | 891 | 900 | 903   | 900     |
| 25    | 817 | 840 | 850   | 840     |
| 35    | 707 | 744 | 764   | 744     |
| 45    | 569 | 627 | 658   | 627     |
| 55    | 420 | 491 | 536   | 491     |
| 65    | 275 | 357 | 410   | 357     |
| 75    | 146 | 235 | 296   | 235     |
| 85    | 39  | 133 | 201   | 133     |
| 95    | 1   | 94  | 171   | 94      |
| 105   | 1   | 90  | 159   | 90      |
| 115   | 2   | 77  | 128   | 77      |
| 125   | 2   | 59  | 94    | 59      |
| 135   | 2   | 40  | 68    | 40      |
| 145   | 2   | 25  | 46    | 25      |
| 155   | 3   | 12  | 26    | 12      |
| 165   | 3   | 4   | 7     | 4       |
| 175   | 3   | 3   | 3     | 3       |

### Zonal summary (total efficiency)

| Zone | End  | 45   | Cross |
|------|------|------|-------|
| 45   | 6283 | 6251 | 6494  |
| 55   | 5578 | 5683 | 6116  |
| 65   | 4764 | 5093 | 5745  |
| 75   | 3808 | 4566 | 5605  |
| 85   | 2220 | 4236 | 6145  |

### Light Distribution

| Degrees | Lumens | % Fixture |
|---------|--------|-----------|
| 0-30    | 728    | 22.7      |
| 0-40    | 1191   | 32.7      |
| 0-60    | 2105   | 65.7      |
| 0-90    | 2842   | 88.7      |
| 90-120  | 263    | 8.2       |
| 90-130  | 311    | 9.7       |
| 90-150  | 355    | 11.1      |
| 90-180  | 363    | 11.3      |
| 0-180   | 3205   | 100.0     |

### Coefficients of utilization

| Ceiling | 80%                               |     |     | 70% |     |     | 50% |     |  |
|---------|-----------------------------------|-----|-----|-----|-----|-----|-----|-----|--|
| Wall    | 70                                | 50  | 30  | 70  | 50  | 30  | 50  | 30  |  |
| RC      | Zonal cavity method               |     |     |     |     |     |     |     |  |
| RW      | Effective floor reflectance = 20% |     |     |     |     |     |     |     |  |
| 0       | 115                               | 115 | 115 | 112 | 112 | 112 | 105 | 105 |  |
| 1       | 105                               | 100 | 94  | 101 | 95  | 92  | 90  | 85  |  |
| 2       | 94                                | 85  | 79  | 91  | 82  | 77  | 78  | 71  |  |
| 3       | 85                                | 75  | 67  | 82  | 72  | 65  | 68  | 61  |  |
| 4       | 79                                | 67  | 57  | 76  | 65  | 56  | 60  | 53  |  |
| 5       | 71                                | 58  | 50  | 69  | 57  | 48  | 54  | 46  |  |
| 6       | 67                                | 53  | 44  | 64  | 52  | 42  | 48  | 41  |  |
| 7       | 61                                | 47  | 40  | 59  | 46  | 39  | 44  | 36  |  |
| 8       | 57                                | 44  | 35  | 55  | 42  | 34  | 40  | 33  |  |
| 9       | 54                                | 40  | 32  | 52  | 39  | 32  | 36  | 29  |  |
| 10      | 50                                | 36  | 28  | 48  | 35  | 28  | 34  | 28  |  |

## OWL LED wraparound 2ft, 4000 delivered lumens

Cat No: OWL240L840-UNV-DIM

Report no<sup>1</sup>: 32616  
 Output 4042lms  
 lumens: 4000K  
 CCT<sup>2</sup>: 47W  
 Input watts<sup>3</sup>: 87lm/w  
 Efficacy:  
 Comp Yearly  
 Energy Cost at \$2.76  
 \$0.08/KWh:

### Candela distribution

| Angle | End  | 45°  | Cross | Back-45 |
|-------|------|------|-------|---------|
| 0     | 1178 | 1178 | 1178  | 1178    |
| 5     | 1169 | 1174 | 1174  | 1174    |
| 15    | 1124 | 1136 | 1138  | 1136    |
| 25    | 1030 | 1059 | 1072  | 1059    |
| 35    | 893  | 938  | 964   | 938     |
| 45    | 719  | 790  | 830   | 790     |
| 55    | 530  | 619  | 678   | 619     |
| 65    | 347  | 450  | 522   | 450     |
| 75    | 184  | 298  | 382   | 298     |
| 85    | 50   | 169  | 263   | 169     |
| 95    | 1    | 117  | 216   | 117     |
| 105   | 2    | 111  | 198   | 111     |
| 115   | 2    | 95   | 160   | 95      |
| 125   | 2    | 73   | 118   | 73      |
| 135   | 3    | 48   | 85    | 48      |
| 145   | 3    | 29   | 57    | 29      |
| 155   | 4    | 13   | 32    | 13      |
| 165   | 5    | 5    | 12    | 5       |
| 175   | 5    | 4    | 12    | 5       |

### Zonal summary (total efficiency)

| Zone | End  | 45   | Cross |
|------|------|------|-------|
| 45   | 7932 | 7879 | 8200  |
| 55   | 7041 | 7161 | 7732  |
| 65   | 6015 | 6427 | 7315  |
| 75   | 4802 | 5778 | 7227  |
| 85   | 2805 | 5372 | 8012  |

### Light Distribution

| Degrees | Lumens | % Fixture |
|---------|--------|-----------|
| 0-30    | 918    | 22.7      |
| 0-40    | 1502   | 37.2      |
| 0-60    | 2655   | 65.7      |
| 0-90    | 3590   | 88.8      |
| 90-120  | 328    | 8.1       |
| 90-130  | 387    | 9.6       |
| 90-150  | 442    | 10.9      |
| 90-180  | 452    | 11.2      |
| 0-180   | 4042   | 100.0     |

### Coefficients of utilization

| Ceiling | 80%                               |     |     | 70% |     |     | 50% |     |  |
|---------|-----------------------------------|-----|-----|-----|-----|-----|-----|-----|--|
| Wall    | 70                                | 50  | 30  | 70  | 50  | 30  | 50  | 30  |  |
| RC      | Zonal cavity method               |     |     |     |     |     |     |     |  |
| RW      | Effective floor reflectance = 20% |     |     |     |     |     |     |     |  |
| 0       | 115                               | 115 | 115 | 112 | 112 | 112 | 105 | 105 |  |
| 1       | 105                               | 100 | 94  | 101 | 95  | 92  | 90  | 85  |  |
| 2       | 94                                | 85  | 79  | 91  | 82  | 77  | 78  | 71  |  |
| 3       | 85                                | 75  | 67  | 82  | 72  | 65  | 68  | 61  |  |
| 4       | 79                                | 67  | 57  | 76  | 65  | 56  | 60  | 53  |  |
| 5       | 71                                | 58  | 50  | 69  | 57  | 48  | 54  | 46  |  |
| 6       | 67                                | 53  | 44  | 64  | 52  | 42  | 48  | 41  |  |
| 7       | 61                                | 47  | 40  | 59  | 46  | 39  | 44  | 36  |  |
| 8       | 57                                | 44  | 35  | 55  | 42  | 34  | 40  | 33  |  |
| 9       | 54                                | 40  | 32  | 52  | 39  | 32  | 36  | 29  |  |
| 10      | 50                                | 36  | 28  | 48  | 35  | 28  | 34  | 28  |  |

# OWL LED wraparound

2', 4', or 8', 3000, 4000, 5000, or 7000 lumens

## OWL LED wraparound 4ft, 4000 nominal delivered lumens

Cat No:  
OWL440L840-UNV-DIM

Report no': 32781  
Output: 3933 lms  
lumens: 4000K  
CCT<sup>2</sup>: 37W  
Input watts<sup>3</sup>: 106 lm/w  
Efficacy:  
Comp Yearly  
Energy Cost at \$2.26  
\$0.08/KWh:

### Candela distribution

| Angle | End  | 45°  | Cross | Back-45 |
|-------|------|------|-------|---------|
| 0     | 1105 | 1105 | 1105  | 1105    |
| 5     | 1096 | 1101 | 1103  | 1101    |
| 15    | 1056 | 1065 | 1074  | 1065    |
| 25    | 973  | 1001 | 1015  | 1001    |
| 35    | 855  | 900  | 922   | 900     |
| 45    | 707  | 772  | 804   | 772     |
| 55    | 542  | 623  | 668   | 623     |
| 65    | 369  | 465  | 520   | 465     |
| 75    | 203  | 311  | 373   | 311     |
| 85    | 57   | 170  | 240   | 170     |
| 95    | 1    | 111  | 183   | 111     |
| 105   | 1    | 101  | 169   | 101     |
| 115   | 2    | 86   | 144   | 86      |
| 125   | 2    | 64   | 112   | 64      |
| 135   | 2    | 45   | 85    | 45      |
| 145   | 3    | 29   | 58    | 29      |
| 155   | 3    | 16   | 33    | 16      |
| 165   | 3    | 6    | 12    | 6       |
| 175   | 4    | 3    | 3     | 3       |

### Zonal summary (total efficiency)

| Zone | End  | 45   | Cross |
|------|------|------|-------|
| 45   | 4018 | 3922 | 3971  |
| 55   | 3745 | 3690 | 3812  |
| 65   | 3395 | 3436 | 3643  |
| 75   | 2922 | 3177 | 3534  |
| 85   | 2003 | 2956 | 3669  |

### Light Distribution

| Degrees | Lumens | % Fixture |
|---------|--------|-----------|
| 0-30    | 866    | 22.0      |
| 0-40    | 1427   | 36.3      |
| 0-60    | 2567   | 65.3      |
| 0-90    | 3520   | 89.5      |
| 90-120  | 294    | 7.5       |
| 90-130  | 349    | 8.9       |
| 90-150  | 403    | 10.2      |
| 90-180  | 413    | 10.5      |
| 0-180   | 3933   | 100.0     |

### Coefficients of utilization

| Ceiling           | 80%                               |     |     | 70% |     |     | 50% |     |     |
|-------------------|-----------------------------------|-----|-----|-----|-----|-----|-----|-----|-----|
| Wall              | 70                                | 50  | 30  | 70  | 50  | 30  | 50  | 30  |     |
| RC                | Zonal cavity method               |     |     |     |     |     |     |     |     |
| RW                | Effective floor reflectance = 20% |     |     |     |     |     |     |     |     |
| Room Cavity Ratio | 0                                 | 116 | 116 | 116 | 112 | 112 | 112 | 105 | 105 |
| 1                 | 105                               | 98  | 94  | 101 | 95  | 92  | 90  | 85  |     |
| 2                 | 94                                | 85  | 79  | 91  | 82  | 76  | 78  | 71  |     |
| 3                 | 85                                | 75  | 66  | 82  | 72  | 65  | 68  | 60  |     |
| 4                 | 79                                | 66  | 56  | 75  | 64  | 56  | 59  | 53  |     |
| 5                 | 71                                | 58  | 50  | 68  | 56  | 48  | 54  | 46  |     |
| 6                 | 66                                | 53  | 44  | 64  | 51  | 42  | 47  | 40  |     |
| 7                 | 61                                | 47  | 39  | 58  | 46  | 38  | 44  | 36  |     |
| 8                 | 56                                | 44  | 34  | 55  | 41  | 34  | 40  | 33  |     |
| 9                 | 53                                | 40  | 32  | 51  | 39  | 30  | 36  | 29  |     |
| 10                | 50                                | 36  | 28  | 47  | 35  | 28  | 34  | 27  |     |

## OWL LED wraparound 4ft, 5000 nominal delivered lumens

Cat No:  
OWL450L840-UNV-DIM

Report no': 32780  
Output: 5136 lms  
lumens: 4000K  
CCT<sup>2</sup>: 53W  
Input watts<sup>3</sup>: 98 lm/w  
Efficacy:  
Comp Yearly  
Energy Cost at \$2.45  
\$0.08/KWh:

### Candela distribution

| Angle | End  | 45°  | Cross | Back-45 |
|-------|------|------|-------|---------|
| 0     | 1439 | 1439 | 1439  | 1439    |
| 5     | 1427 | 1434 | 1436  | 1434    |
| 15    | 1375 | 1391 | 1399  | 1391    |
| 25    | 1266 | 1304 | 1322  | 1304    |
| 35    | 1114 | 1173 | 1201  | 1173    |
| 45    | 920  | 1007 | 1048  | 1007    |
| 55    | 704  | 812  | 870   | 812     |
| 65    | 480  | 608  | 677   | 608     |
| 75    | 264  | 408  | 487   | 408     |
| 85    | 74   | 224  | 313   | 224     |
| 95    | 2    | 146  | 239   | 146     |
| 105   | 2    | 134  | 221   | 134     |
| 115   | 2    | 115  | 187   | 115     |
| 125   | 3    | 85   | 147   | 85      |
| 135   | 3    | 60   | 110   | 60      |
| 145   | 4    | 39   | 76    | 39      |
| 155   | 4    | 21   | 44    | 21      |
| 165   | 5    | 8    | 16    | 8       |
| 175   | 5    | 4    | 4     | 4       |

### Zonal summary (total efficiency)

| Zone | End  | 45   | Cross |
|------|------|------|-------|
| 45   | 5224 | 5114 | 5173  |
| 55   | 4868 | 4814 | 4963  |
| 65   | 4414 | 4489 | 4747  |
| 75   | 3800 | 4161 | 4608  |
| 85   | 2628 | 3892 | 4776  |

### Light Distribution

| Degrees | Lumens | % Fixture |
|---------|--------|-----------|
| 0-30    | 1128   | 22.0      |
| 0-40    | 1858   | 36.2      |
| 0-60    | 3345   | 65.1      |
| 0-90    | 4591   | 89.4      |
| 90-120  | 389    | 7.5       |
| 90-130  | 463    | 9.0       |
| 90-150  | 535    | 10.4      |
| 90-180  | 548    | 10.6      |
| 0-180   | 5136   | 100.0     |

### Coefficients of utilization

| Ceiling           | 80%                               |     |     | 70% |     |     | 50% |     |     |
|-------------------|-----------------------------------|-----|-----|-----|-----|-----|-----|-----|-----|
| Wall              | 70                                | 50  | 30  | 70  | 50  | 30  | 50  | 30  |     |
| RC                | Zonal cavity method               |     |     |     |     |     |     |     |     |
| RW                | Effective floor reflectance = 20% |     |     |     |     |     |     |     |     |
| Room Cavity Ratio | 0                                 | 116 | 116 | 116 | 112 | 112 | 112 | 105 | 105 |
| 1                 | 105                               | 98  | 94  | 101 | 95  | 92  | 90  | 85  |     |
| 2                 | 94                                | 85  | 79  | 91  | 82  | 76  | 78  | 71  |     |
| 3                 | 85                                | 75  | 66  | 82  | 72  | 65  | 68  | 60  |     |
| 4                 | 79                                | 66  | 56  | 75  | 64  | 56  | 59  | 53  |     |
| 5                 | 71                                | 58  | 50  | 68  | 56  | 48  | 54  | 46  |     |
| 6                 | 66                                | 53  | 44  | 64  | 51  | 42  | 47  | 40  |     |
| 7                 | 61                                | 47  | 39  | 58  | 46  | 38  | 44  | 36  |     |
| 8                 | 56                                | 44  | 34  | 55  | 41  | 34  | 40  | 33  |     |
| 9                 | 53                                | 40  | 32  | 51  | 39  | 30  | 36  | 29  |     |
| 10                | 50                                | 36  | 28  | 47  | 35  | 28  | 34  | 27  |     |

# OWL LED wraparound

2', 4', or 8', 3000, 4000, 5000, or 7000 lumens

## OWL LED wraparound 4ft, 7000 nominal delivered lumens

Cat No:  
OWL470L840-UNV-DIM

Report no<sup>1</sup>: 32779  
**Output** 6790lms  
**lumens:** 4000K  
**CCT<sup>2</sup>:** 73W  
**Input watts<sup>3</sup>:** 94lm/w  
**Efficacy:**  
**Comp Yearly**  
**Energy Cost at** \$2.55  
**\$0.08/KWh:**

### Candela distribution

| Angle | End  | 45°  | Cross | Back-45 |
|-------|------|------|-------|---------|
| 0     | 1905 | 1905 | 1905  | 1905    |
| 5     | 1890 | 1897 | 1899  | 1897    |
| 15    | 1821 | 1840 | 1850  | 1840    |
| 25    | 1680 | 1726 | 1750  | 1726    |
| 35    | 1474 | 1551 | 1590  | 1551    |
| 45    | 1218 | 1332 | 1387  | 1332    |
| 55    | 932  | 1075 | 1152  | 1075    |
| 65    | 635  | 804  | 898   | 804     |
| 75    | 350  | 538  | 647   | 538     |
| 85    | 97   | 295  | 418   | 295     |
| 95    | 2    | 191  | 319   | 191     |
| 105   | 3    | 175  | 295   | 175     |
| 115   | 3    | 149  | 250   | 149     |
| 125   | 4    | 111  | 196   | 111     |
| 135   | 4    | 78   | 147   | 78      |
| 145   | 5    | 51   | 101   | 51      |
| 155   | 6    | 27   | 89    | 27      |
| 165   | 7    | 10   | 22    | 10      |
| 175   | 7    | 6    | 6     | 6       |

### Zonal summary (total efficiency)

| Zone | End  | 45   | Cross |
|------|------|------|-------|
| 45   | 6914 | 6765 | 6849  |
| 55   | 6445 | 6371 | 6573  |
| 65   | 5843 | 5935 | 6295  |
| 75   | 5032 | 5493 | 6125  |
| 85   | 3435 | 5116 | 6378  |

### Coefficients of utilization

| Ceiling | 80%                               |     |     | 70% |     |     | 50% |     |  |
|---------|-----------------------------------|-----|-----|-----|-----|-----|-----|-----|--|
| Wall    | 70                                | 50  | 30  | 70  | 50  | 30  | 50  | 30  |  |
| RC      | Zonal cavity method               |     |     |     |     |     |     |     |  |
| RW      | Effective floor reflectance = 20% |     |     |     |     |     |     |     |  |
| 0       | 116                               | 116 | 116 | 112 | 112 | 112 | 105 | 105 |  |
| 1       | 105                               | 98  | 94  | 101 | 95  | 92  | 90  | 85  |  |
| 2       | 94                                | 85  | 79  | 91  | 82  | 76  | 78  | 71  |  |
| 3       | 85                                | 75  | 66  | 82  | 72  | 65  | 68  | 60  |  |
| 4       | 79                                | 66  | 56  | 75  | 64  | 56  | 59  | 53  |  |
| 5       | 71                                | 58  | 50  | 68  | 56  | 48  | 54  | 46  |  |
| 6       | 66                                | 53  | 44  | 64  | 51  | 42  | 47  | 40  |  |
| 7       | 61                                | 47  | 39  | 58  | 46  | 38  | 44  | 36  |  |
| 8       | 56                                | 44  | 34  | 55  | 41  | 34  | 40  | 33  |  |
| 9       | 53                                | 40  | 32  | 51  | 39  | 30  | 36  | 29  |  |
| 10      | 50                                | 36  | 28  | 47  | 35  | 28  | 34  | 27  |  |

### Light Distribution

| Degrees | Lumens | % Fixture |
|---------|--------|-----------|
| 0-30    | 1493   | 22.0      |
| 0-40    | 2459   | 36.2      |
| 0-60    | 4425   | 65.2      |
| 0-90    | 6072   | 89.4      |
| 90-120  | 509    | 7.5       |
| 90-130  | 606    | 8.9       |
| 90-150  | 700    | 10.3      |
| 90-180  | 718    | 10.6      |
| 0-180   | 6790   | 100.0     |

## Energy Data

| Model             | Initial Delivered Lumens @ 25°C Ambient | Input Power | Lumens per Watt | Application Notes                                      |
|-------------------|---|-------------|-----------------|--|
| OWL230840-UNV     | 3205                                    | 33          | 96              | Low ceilings, mid ambient                              |
| OWL240840-UNV-DIM | 4042                                    | 47          | 87              | 2' length, option to 4' fluorescent                    |
| OWL440840-UNV-DIM | 3933                                    | 37          | 106             | Suitable for most general applications                 |
| OWL450840-UNV-DIM | 5136                                    | 53          | 98              | Equal to a 4' 2x32W fluorescent                        |
| OWL470840-UNV-DIM | 6790                                    | 73          | 94              | Better option to a wide 3-light fluorescent wraparound |



© 2021 Signify Holding. All rights reserved. The information provided herein is subject to change, without notice. Signify does not give any representation or warranty as to the accuracy or completeness of the information included herein and shall not be liable for any action in reliance thereon. The information presented in this document is not intended as any commercial offer and does not form part of any quotation or contract, unless otherwise agreed by Signify.

Signify North America Corporation  
 200 Franklin Square Drive,  
 Somerset, NJ 08873  
 Telephone 855-486-2216

Signify Canada Ltd.  
 281 Hillmount Road,  
 Markham, ON, Canada L6C 2S3  
 Telephone 800-668-9008

All trademarks are owned by Signify Holding or their respective owners.