

ATKP06

Live End Conduit Feed
Track & Power Feeds



Job Information	
Project Name	
Type	
Location	
Quantity	
Date	

Description

Live End conduit feed (7/8" knockout) for top or end feed. Available in four colours: Black, White, Silver and Brushed Nickel

Features

Design

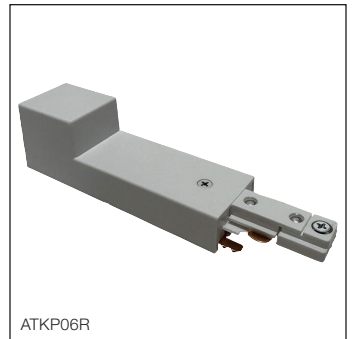
Low profile aesthetic design Solid 12-gauge conductors.

Electrical

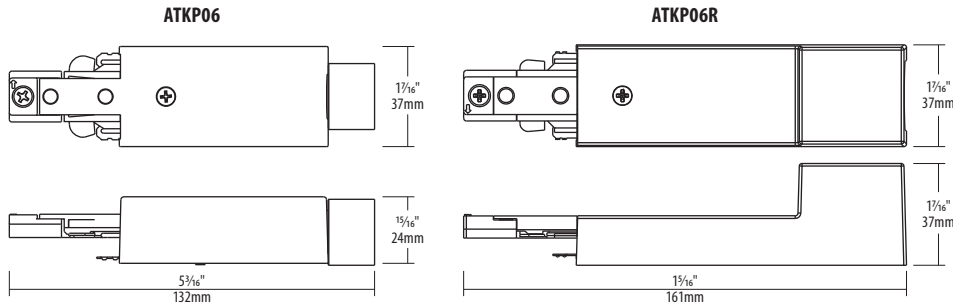
System Electrical Rating: 20A, 120V, 60Hz.

Mounting

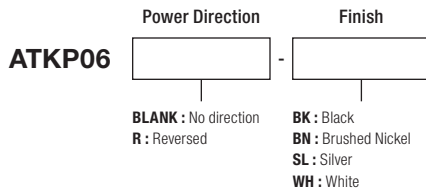
Track system is compatible with all Juno® and A-line® Style Track, accessories and connectors



Technical Drawings



Ordering Guide



Notes: Accessories should be ordered separately. For additional options please consult your A-Line Lighting representative. Juno® is a registered trademark of Juno Lighting. Due to our continued efforts to improve our products, product specifications are subject to change without notice.