

Mounting Instructions

It is strongly suggested to use two qualified trades people to proceed with the final mounting of the fixture to avoid any possible personnel injury or damage to the fixture and will be slightly awkward to hold into position and attach to brackets mounted on wall or ceiling. Depending on mounting height, scaffolding, hydraulic man-lift or two good quality ladders should be used.

Using WP10-12-MTK Suspended cable Mount

1. Make sure that the power is disconnected to the conduit system before installing the fixture.
2. Locate desired area where fixture is to be mounted.
3. Mark and mount 2 eye-bolts or desired hooks 25"/49"/97" (63.5/124.5/246.4 cm) apart.
4. Attach S-hooks to either fixture or ceiling.
5. Lift fixture into position attaching other end of cable to fixture or ceiling.
6. For added safety, pinch the end of the s-hooks to prevent fixture from falling if accidentally bumped.
7. Using desired conduit or cable and make all proper wire connections. Fixtures are shipped with wires protruding through hub so removal of lens is not necessary.
8. Once necessary wiring connections are made, fixture is ready.
9. Restore power to fixture.

Using WP1086MTK Ceiling / Wall Mount

1. Make sure that the power is disconnected to the conduit system before installing the fixture.
2. Locate desired area where fixture is to be mounted.
3. Mark and drill 2 holes 26.75"/50.75"/98.75" (67.9/129/250.8 cm) apart.
4. Once holes are drilled, mount the two brackets with the toes pointed out, shown in drawing below.
5. With mounting hardware in hand, raise fixture into place.
6. Slide thumb screws through fixture end caps and brackets, and fasten with lock nuts.
7. Using desired conduit or cable and make all proper wire connections. Fixtures are shipped with wires protruding through hub so removal of lens is not necessary.
8. Once necessary wiring connections are made, fixture is ready.
9. Restore power to fixture

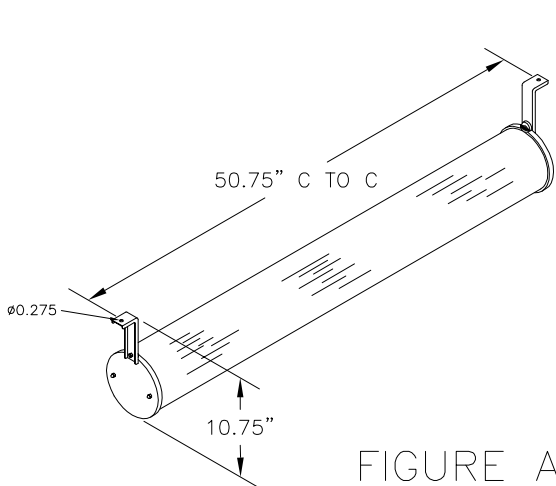


FIGURE A

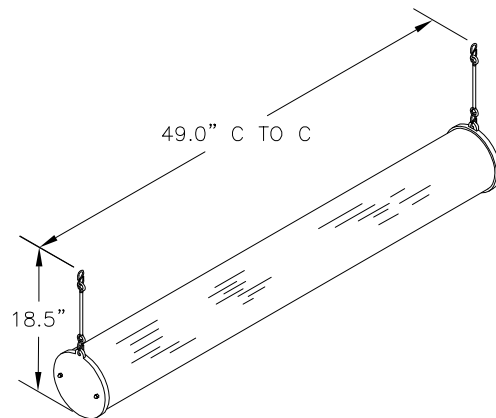


FIGURE B

WashPro Resista Series Fluorescent Luminaires

Maintenance Instructions

IF LBL1351

SAVE THESE INSTRUCTIONS FOR FUTURE REFERENCE

Note: All the following instructions are meant for skilled trades people only. We strongly recommend that only skilled trades people service this product.

This series of fixtures are a non-metallic, compact design fluorescent designed for long maintenance free life. The only component requiring replacement on a regular basis are the lamps. As most fluorescent lamps are designed for 20,000 + hour operation, replacement should be required every 3 to 4 years (based on a 15 hour operation per day).

Note: This fixture is designed to be serviced on floor and not in working position.

A. Lamp replacement for F32T8 or F40T12 design

Tools required: 7/16" nut driver or wrench

1. Turn off power source to fixture.
2. Disconnect fixture by either using quick disconnect plug (optional) or junction box.
3. Remove fixture from cable or bracket kit.
4. Remove the two ¼" lock-nuts and sealing washers from the non-powered end.
5. Once nuts and washers are removed, slide off end cap.
6. Slide off acrylic tube.
7. Remove old lamp by rotating 90 degrees, then lift lamp from socket and angle in fixture housing until it is clear of inner flange.
8. Replace both lamps (using lamps of equal specifications) to maintain maximum lumen output.
9. For installation of new lamps repeat procedure 3 in reverse making sure that the lamp is rotated 90 degrees in the socket to lock into place.
10. Replace acrylic tube ensuring that tube seats into end cap.
11. Replace end cap, also ensuring that tube seats into end cap.
12. Replace sealing washers and lock nuts and tighten.
13. Re-mount fixture and restore power to fixture.

B. Lamp replacement for two F48T12 design

1. Repeat steps 1 - 6 outlined in previous instructions.
2. Depress spring-loaded sockets and remove lamp. If difficulty occurs, use insulated screwdriver in between lamp and socket to assist in lamp removal.
(Caution: Use of excessive force when replacing lamps may result in damage to sockets or lamps and may cause bodily injury.)
3. Replace both lamps (using lamps of equal specifications) to maintain maximum lumen output.
4. Repeat steps 9 - 13 outlined in previous instructions.

C. Ballast replacement

Tools required: slotted screwdriver, wire cutters & compression tool if compression connectors are used.

1. Repeat steps 1 - 6 outlined in previous instructions.
2. Remove lamps as per above instructions.
3. Remove channel cover off back of fixture. Screwdriver may be necessary.
4. Disconnect power leads (black and white wires).
5. Cut leads from sockets to ballast at 6 inches (15 cm.) from ballast.
6. Remove screws holding ballast in place (a single screw at each end).
7. Replace ballast with the same brand and rating to maintain the CSA approval on this product (not all ballasts are approved for use in hazardous area fixtures). Consult factory before installing ballast that is not identical.
8. Hold ballast in place and secure with a screw at each end.
9. Connect wires with an approved wire nut or compression connector making sure to match the same colored leads coming from each socket.
10. Connect power leads to ballast (black and white wires).
11. Replace channel cover.
12. Repeat steps 9 - 13 outlined in previous instructions.

All statements, technical information and recommendations contained herein are based on information and tests we believe to be reliable. The accuracy or completeness thereof are not guaranteed. In accordance with Crouse-Hinds "Terms and Conditions of Sale", and since conditions of use are outside our control, the purchaser should determine the suitability of the product for his intended use and assumes all risk and liability whatsoever in connection therewith.