

QAC SERIES HALOGEN LUMINAIRES

Installation & Maintenance Information

IF LBL1566

SAVE THESE INSTRUCTIONS FOR FUTURE REFERENCE

CAUTION Read carefully before installing and wiring the luminaire.

Check the ratings to insure suitability for the area. Must be installed in accordance with the NEC (National Electrical Code) or CEC (Canadian Electrical Code) and all other applicable codes.

Any warning or special instructions should be closely followed. All luminaires must be properly grounded. These luminaires are not suitable for hazardous locations. These luminaires are provided with one 1/2" NPT entry. Do not attempt to install this luminaire unless you are familiar with warnings, cautions and procedures outlined in this information sheet.

INSTALLATION & ELECTRICAL WIRING

WARNING Risk of electrical shock hazard, only qualified personnel should conduct this procedure! Do not make electrical connections or service with the power ON. Disconnect supply circuit at least 30 minutes before opening fixture.

CAUTION Do not aim fixture toward combustible surface. If aiming position must be readjusted, use caution, as external surfaces may become extremely hot.

Trunnion Mount - 1. Select proper anchor and surface to support luminaire. Mark surface and prepare it to accept the fixture yoke (4B) using the mounting hole dimensions shown below.

2. Using 5/16" minimum diameter fasteners (Qty. 2x not provided), mount the fixture yoke (4B) to the prepared surface. Securely tighten the mounting fasteners.

3. Loosen nuts (3B), adjust fixture to desired angle and re-tighten nuts (3B).

Post Mount - 1. Loosen bolt (6C) to allow post mount (7C) to accept maximum 2" diameter pipe.

2. Rotate fixture to the desired direction and tighten bolt (6C).

3. Loosen wing nut (5C), adjust fixture to desired angle and re-tighten wing nut (5C).

CAUTION See nameplate for voltage & frequency requirements!

Use proper cable gland grommet for a watertight seal around cable.

4. Cables should be stripped back approx. 3" - 5" to allow individual wires to flex.

5. Install cable gland (not provided) to 1/2" NPT entry hole (1A) per instructions furnished with cable gland.

6. Route cable in through cable gland and secure seal on cable jacket.

7. Connect L1 or hot lead to white wire. Connect L2 or neutral to the other white wire. Connect ground wire to green ground wire.

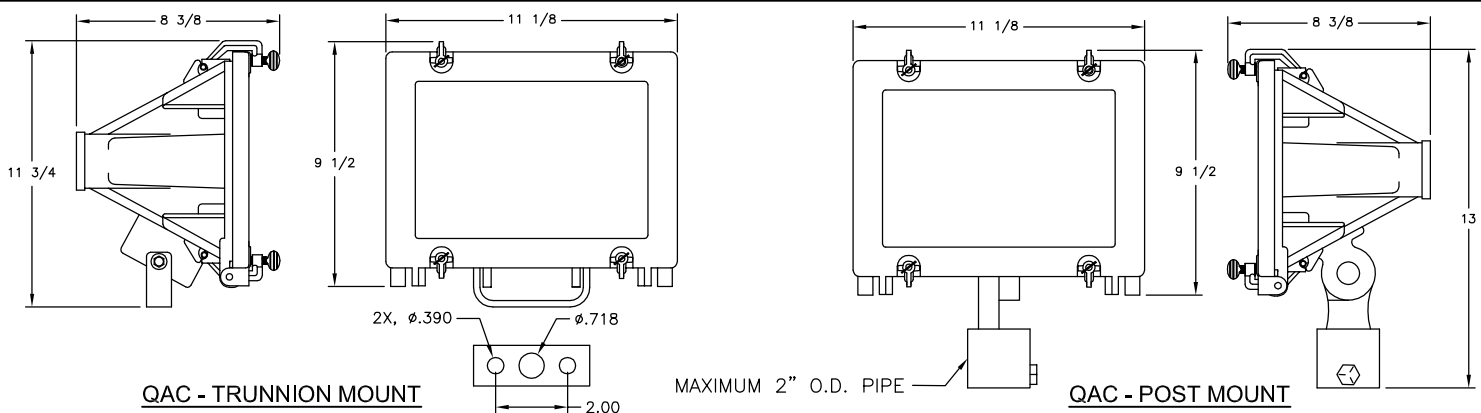
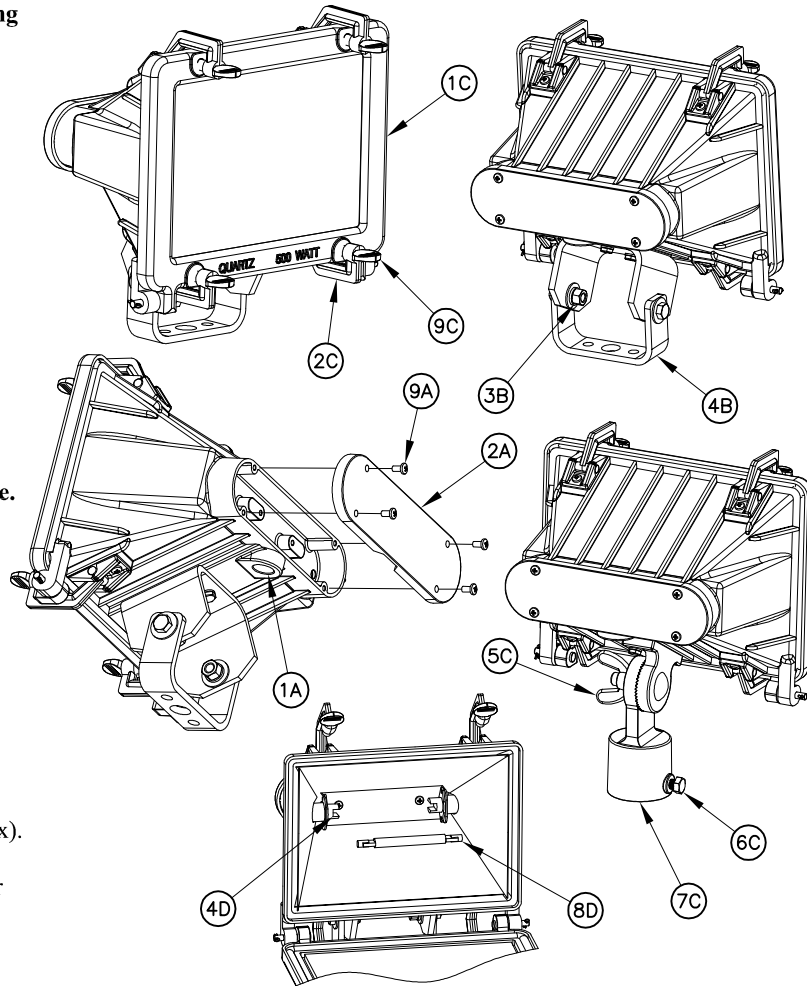
8. Replace cover (2A) and tighten screws (9A) (qty. 4x).

CAUTION Use only T3 Double-Ended Linear lamp to voltage and wattage indicated on the luminaire label. Do not exceed max. wattage rating indicated on the luminaire label.

9. Open lens frame (1C) by loosening each thumb screws (9C) (qty. 4x). Disengage clamps (2C) (qty. 4x) and rotate lens frame (1C).

10. Engage one end of new lamp (8D) into lampholder (4D) then other end. Making sure lamp is properly engage.

11. Close lens frame (1C) engage clamps (2C) (qty. 4x) and tighten thumb screws (9C) (qty. 4x).



All statements, technical information and recommendations contained herein are based on information and tests we believe to be reliable. The accuracy or completeness thereof are not guaranteed. In accordance with Crouse-Hinds "Terms and Conditions of Sale", and since conditions of use are outside our control, the purchaser should determine the suitability of the product for his intended use and assumes all risk and liability whatsoever in connection therewith.