



The FieldSET OTi180W is an efficient, dimmable, linear LED driver for outdoor applications. This programmable driver is compatible with the FieldSET LED Driver Programming Tool which provides visual and audible feedback programming. The FieldSET OTi180W is designed for in-field programming and replacement.

#### Driver Overview

- Intended for use in LED fixtures including Industrial, High-bay, Outdoor, and Cobra-head fixtures.
- 180W Output
- 0-10V Dimming with 10% Minimum Dim Level
- IP66 Rated

#### General Information

|                             |                                 |
|-----------------------------|---------------------------------|
| Drive Description           | 180W 120-277V; 5% min dim       |
| Type                        | Constant Current                |
| Output Power                | 180W (Max.)                     |
| Programming Tool            | FieldSET LED Driver Programmer  |
| Field Programmable Features | Output Current<br>Dimming Level |

#### Electrical Specifications

##### Input

|                          |                    |              |
|--------------------------|--------------------|--------------|
| Input Voltage (VAC)      | 120V-277V (+/-10%) |              |
| Frequency Range (Hz)     | 50-60 Hz (+/-) 10% |              |
|                          | <b>120V</b>        | <b>277V</b>  |
| Input Current (A)        | 1.65A              | 0.71A        |
| THD @ Full load          | <10%               | <10%         |
| Power Factor @ Full load | >0.9%              | >0.9%        |
| Efficiency @ Full load   | ≥91%               | ≥93%         |
| Inrush Current (Apk)     | 40A, 412µs         | 96.5A, 413µs |

##### Output

|                                 |                                       |
|---------------------------------|---------------------------------------|
| Output Current (mA)             | 600-1250mA (1mA step)                 |
| Output Voltage (VDC)            | 70-210VDC                             |
| Output Ripple Current           | <20% @1250mA                          |
| Max. Output Power (W)           | 180W                                  |
| LED Power-Up Time               | <1 sec                                |
| Load Regulation                 | <3%                                   |
| Line Regulation                 | <3%                                   |
| Over Voltage Protection         | Yes                                   |
| Over Load Protection            | Current fold back @183W, non-latching |
| Output Short-Circuit Protection | Yes, non-latching                     |

##### Dimming

|                     |  |
|---------------------|--|
| Dimming Control     | 0-10V (Isolated) <sup>1</sup> , AstroDIM |
| Dimming Range       | 10-100% (50mA Min.)                      |
| Dimming Type        | Analog                                   |
| Source/Sink Current | 0.8mA                                    |

**CAUTION:** More than one power supply present; Compliant with ANSI C137.1  
<sup>1</sup> Class 2 or non-Class 2 wiring allowed.

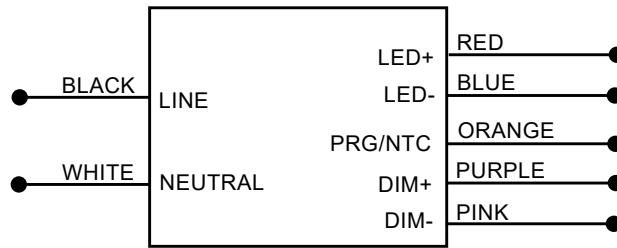
#### Environmental Specifications

|                               |                                      |
|-------------------------------|--------------------------------------|
| Ambient Operating Temperature | -40°C to 55°C                        |
| Max. Case Temperature (Tc)    | 85°C <sup>1</sup><br>90°C (Max.)     |
| Max. Storage Temp.            | 70°C                                 |
| Max. Relative Humidity (%)    | 95% non-condensing                   |
| Transient Protection          | ANSI C62.41 Cat B<br>6.0kV, 4kV EFT  |
| UL Environmental Rating       | UL CLASS P, Dry and Damp,<br>Type HL |
| UL File number                | E320395                              |
| IP Rating                     | IP66                                 |
| EMI Compliance                | FCC 47 Part 15 Class A               |
| Sound Rating                  | Class A                              |

<sup>1</sup> 5 year warranty applicable at 85°C



Wiring Diagram

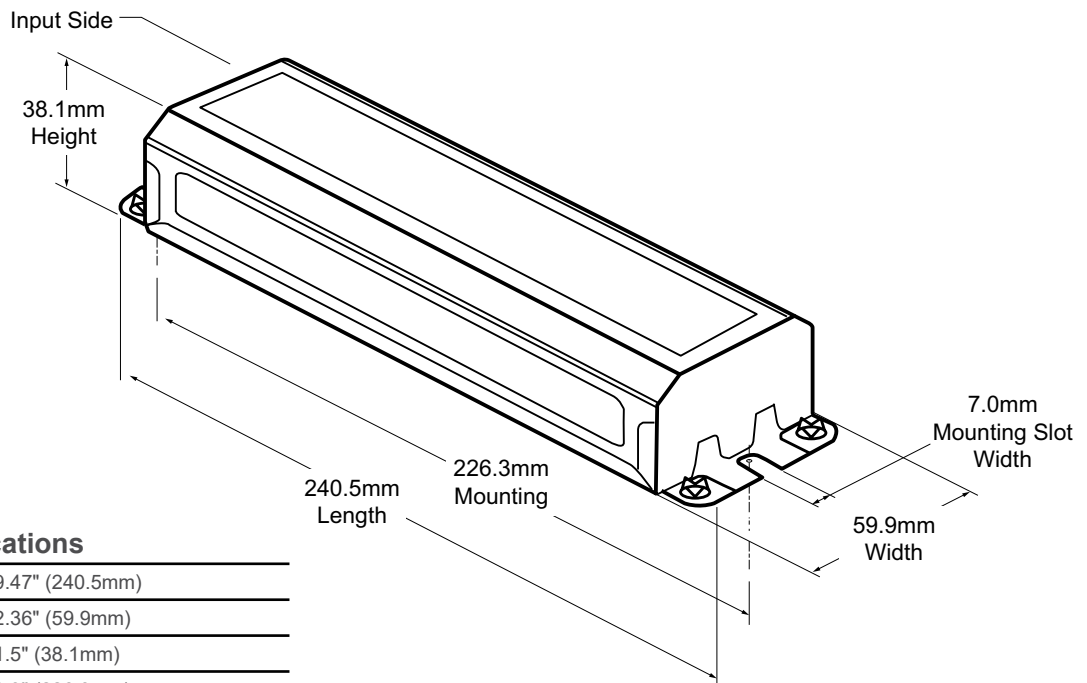


NOTES:

Maximum remote mounting distance is 16 feet.

The Dimming input is isolated and will allow Class 2 or non-Class 2 wiring across Purple and Gray wires.

Mechanical Diagram



Mechanical Specifications

|                     |                 |
|---------------------|-----------------|
| Length              | 9.47" (240.5mm) |
| Width               | 2.36" (59.9mm)  |
| Height              | 1.5" (38.1mm)   |
| Mounting Length     | 8.9" (226.3mm)  |
| Mounting Slot Width | 0.28" (7mm)     |

Inrush Characteristic

| V <sub>in</sub> (V) | I <sub>peak</sub> (A) | T(@ 10% of I <sub>peak</sub> ) |
|---------------------|-----------------------|--------------------------------|
| 120                 | 40                    | 412µs                          |
| 277                 | 96.5                  | 413µs                          |

Complies to NEMA 410 inrush current requirements.

# FieldSET OTi180W - Technical Specifications

## Ordering Information

| Series   | Driver Type | Wattage | Input Voltage | Output Current | Control | IP Rating | Programmer |
|----------|-------------|---------|---------------|----------------|---------|-----------|------------|
| FieldSET | OTi         | 180W    | UNV           | 1250C          | 2DIM    | P6        | FS         |

| Understanding Your Driver Model |                        |              |   |
|---------------------------------|------------------------|--------------|---|
| <b>FieldSET</b>                 | Field Service Solution | <b>1250C</b> | 1250mA Output (600-1250mA output range)   |
| <b>OTi</b>                      | OTI Intelligent Driver | <b>2DIM</b>  | 0-10V Dimming plus Astro Dim              |
| <b>180W</b>                     | 180W Output            | <b>P6</b>    | IP66 Rating                               |
| <b>UNV</b>                      | 120-277VAC Input       | <b>FS</b>    | Programmed using FieldSET Programmer Tool |

| Product Description                       | UPC          |
|---|--------------|
| FIELDSET OTI 180W UNV 1250C 2DIM P6 FS    | 197589480290 |
| FIELDSET OT 180W UNV 1250C 2DIM P6 FS J10 | 196183325402 |

## Warranty

FieldSET and OPTOTRONIC® by eldoLED Products are covered by a 5-year limited warranty. This is the only warranty provided and no other statements in this specification sheet create any warranty of any kind. All other express and implied warranties are disclaimed. Complete warranty terms can be found at: [www.eldoled.com/legal/terms-and-conditions](http://www.eldoled.com/legal/terms-and-conditions)

**Note:** Actual performance may differ as a result of end-user environment and application. Specifications subject to change without notice.