

WF

WALL FAN HEATER



VERSATILITY IS THE NAME OF THE GAME!

The WF is a high-capacity fan heater that's ideal for building lobbies, long corridors, stairwells, workshops, factories and warehouses. Its electrical element is made of high-quality nichrome that provides an immediate surge of hot air. The various modes of wall installation make the WF heater one of the most versatile fan heaters on the market: it can be surface mounted or recessed, with a variety of models and heating capacities to choose from.

GRILLE WITH ROUNDED SIDES

DURABLE AND STYLISH

WIDE RANGE OF MODELS AND HEATING CAPACITIES

INCLUDING A SINGLE 4800 W MODEL

NICHROME ELEMENT

ASSURING INSTANT HEAT

OPTIONAL DISCONNECT SWITCH AVAILABLE

COLOURS

- **standard:** white, soft white
- **luxury finish:** stainless steel

FINISH

- epoxy-polyester powdercoat or stainless steel

MANUFACTURING

- 20-gauge steel cabinet and 18-gauge steel grille
- top air intake with bottom air discharge
- quiet helicoidal fan: single unit 1 x 160 CFM – double unit 2 x 160 CFM – triple unit 3 x 160 CFM
- thermal protection with automatic reset
- totally enclosed, permanently lubricated motor

ELEMENT

- high-quality nichrome element producing instant heat

CONTROL

- connection of multiple units to the same thermostat is possible with a relay kit without transformer (optional) and an external transformer (not provided)

INSTALLATION

- wall mounted
- recessed or surface mounted with surface adapter (optional)

WARRANTY

- three years



ROUNDED SIDES

IDEAL FOR:

lobby, corridor, factory, warehouse, stairwell

°STELPRO



TECHNICAL SPECIFICATIONS

WITHOUT CONTROL		BUILT-IN THERMOSTAT		240 V CONTROL	24 V CONTROL		POWER	VOLTAGE	WEIGHT		MODEL
CODE		CODE		CODE	CODE		WATTS	VOLTS	KG	LB	UNIT
WF1508		WF1508T		WF1508C	WF1508C24		1500	208	9	20	SINGLE
WF1502		WF1502T		WF1502C	WF1502C24		1500/1125	240/208	9	20	SINGLE
WF1503		WF1503T		WF1503C	WF1503C24		1500	347	9	20	SINGLE
---		WF1506T		WF1506C	WF1506C24		1500	600	10	22	SINGLE
WF2008		WF2008T		WF2008C	WF2008C24		2000	208	9	20	SINGLE
WF2002		WF2002T		WF2002C	WF2002C24		2000/1500	240/208	9	20	SINGLE
WF2003		WF2003T		WF2003C	WF2003C24		2000	347	9	20	SINGLE
---		WF2006T		WF2006C	WF2006C24		2000	600	10	22	SINGLE
WF3008		WF3008T		WF3008C	WF3008C24		3000	208	9	20	SINGLE
WF3002		WF3002T		WF3002C	WF3002C24		3000/2250	240/208	9	20	SINGLE
WF3003		WF3003T		WF3003C	WF3003C24		3000	347	9	20	SINGLE
---		WF3006T		WF3006C	WF3006C24		3000	600	10	22	SINGLE
WF4008		WF4008T		WF4008C	WF4008C24		4000	208	9	20	SINGLE
WF4002		WF4002T		WF4002C	WF4002C24		4000/3000	240/208	9	20	SINGLE
WF4003		WF4003T		WF4003C	WF4003C24		4000	347	9	20	SINGLE
---		WF4006T		WF4006C	WF4006C24		4000	600	10	22	SINGLE
WF4808		WF4808T		WF4808C	WF4808C24		4800	208	9	20	SINGLE
WF4802		WF4802T		WF4802C	WF4802C24		4800/3600	240/208	9	20	SINGLE
WF4803		WF4803T		WF4803C	WF4803C24		4800	347	9	20	SINGLE
---		WF4806T		WF4806C	WF4806C24		4800	600	10	22	SINGLE
---		WF6008CT		WF6008C	WF6008C24		6000	208	18	40	DOUBLE
---		WF6002T		WF6002C	WF6002C24		6000/4500	240/208	18	40	DOUBLE
---		WF6003T		WF6003C	WF6003C24		6000	347	18	40	DOUBLE
---		WF6006T		WF6006C	WF6006C24		6000	600	20	44	DOUBLE
---		WF60083CT*		WF60083C*	WF60083C24*		6000	208	36	80	TRIPLE
---		WF60063CT*		WF60063C*	WF60063C24*		6000	600	36	80	TRIPLE
---		WF8008CT		WF8008C	WF8008C24		8000	208	18	40	DOUBLE
---		WF8002CT		WF8002C	WF8002C24		8000/6000	240/208	18	40	DOUBLE
---		WF8003CT		WF8003C	WF8003C24		8000	347	18	40	DOUBLE
---		WF8006CT		WF8006C	WF8006C24		8000	600	20	44	DOUBLE
---		WF90083CT*		WF90083C*	WF90083C24*		9000	208	36	80	TRIPLE
---		WF90063CT*		WF90063C*	WF90063C24*		9000	600	36	80	TRIPLE
---		WF12008CT		WF12008C	WF12008C24		12000	208	36	80	TRIPLE
---		WF12002CT		WF12002C	WF12002C24		12000/9000	240/208	36	80	TRIPLE
---		WF12003CT		WF12003C	WF12003C24		12000	347	36	80	TRIPLE
---		WF12006CT		WF12006C	WF12006C24		12000	600	36	80	TRIPLE
---		WF120083CT*		WF120083C*	WF120083C24*		12000	208	36	80	TRIPLE
---		WF120063CT*		WF120063C*	WF120063C24*		12000	600	36	80	TRIPLE

Add W for white, SW for soft white or SS for stainless steel. * Three-phase unit
 Models also available in 277 V and 480 V.
 --- not available



THROW DISTANCE AND HEAT RISE

UNITS	THROW DISTANCE		HEAT RISE	
	M	FT.	°C	°F
1.5	4.1	13'7"	30	53
2	4.1	13'7"	42	75
3	4.1	13'7"	61	110
4	4.1	13'7"	74	133
4.8	4.1	13'7"	93	167
6	4.1	13'7"	61	110
8	4.1	13'7"	74	133
9	4.1	13'7"	61	110
12	4.1	13'7"	74	133

ACCESSORIES

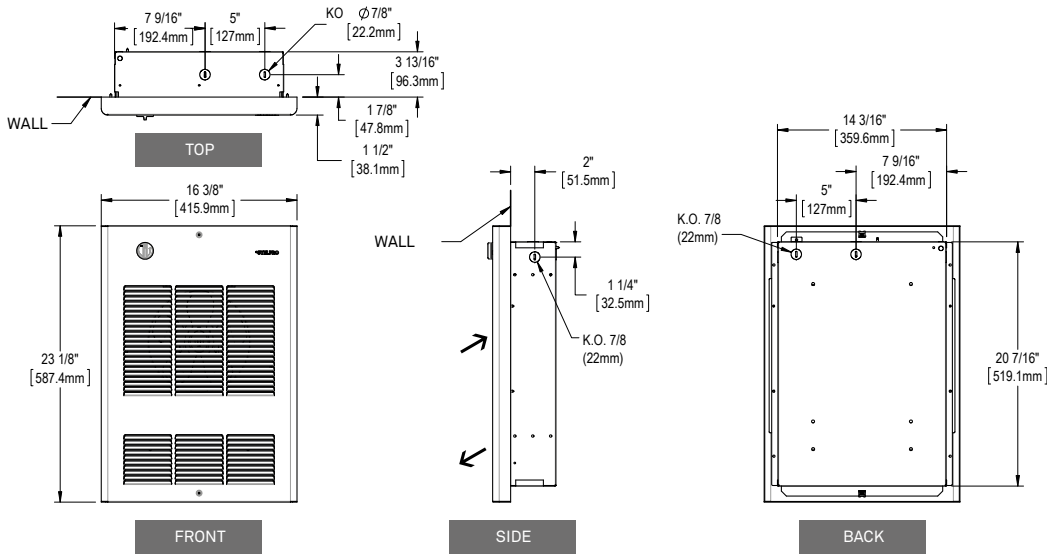
PRODUCT	DESCRIPTION
WFT1	built-in single pole thermostat [120 V-600 V]
WFT2	built-in double pole thermostat [120 V-600 V]
WFSA1*	surface adapter (single unit)
WFSA2*	surface adapter (double unit)
WFSA3*	surface adapter (triple unit)
WFSA1SS	stainless steel surface adapter (single unit)
WFSA2SS	stainless steel surface adapter (double unit)
WFSA3SS	stainless steel surface adapter (triple unit)
WFDIS-30*	disconnect switch kit 600 V/30 A, 2 poles
WFDIS-40*	disconnect switch kit 600 V/40 A, 2 poles/3 poles
WFDIS-60*	disconnect switch kit 600 V/60 A, 2 poles/3 poles
WFC24RX*	relay kit without transformer 24 V

* Add W for white or SW for soft white.

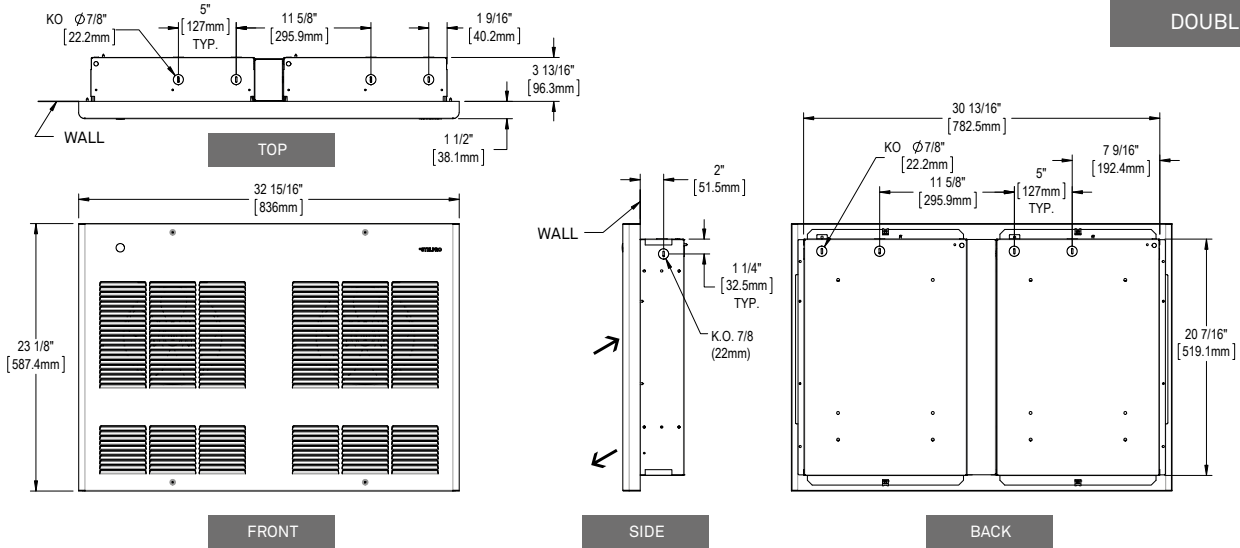
* Factory installation

TECHNICAL DRAWINGS

SINGLE UNIT



DOUBLE UNIT



TRIPLE UNIT

