

SLIMLED ORIGINAL

3", 505 Lumens, 7W, Color Selectable
Recessed Downlighting

Job Information		
Project Name		Type
Location		
Quantity		Date
Contact/Phone		
Notes		

Features

Body

Durable airtight aluminum body with UV stable paint and white PMMA diffuser lens for low glare. Includes silicone gasket for wet location applications.

LED Characteristics

This general application light fixture features a 7 watt LED module that maintains uniform intensity producing up to 505 lumens; with a typical CRI of 90. Available with 5 step CCT switch on the driver (2700 K, 3000 K, 3500 K, 4000 K and 5000 K).

Dimming

100%-10% dimming capability. This fixture is compatible with industry standard forward/reverse phase or TRIAC/ELV dimmers. For compatible dimmers, visit www.liteline.com/SlimLEDOOriginal.

Beam Spread

The fixture lens provides 110° beam spread.

Mounting

Includes two spring loaded clips to

attached to any ceiling material. The slim profile allows to be mounted under joists or duct work.

LED Driver

Steel hardwire box with 170mA dimmable class II electronic LED driver with 100-135V AC input. Includes an 18" plenum rated FT4 wire with DC 2.1 connector from driver to fixture.

Quick Connect push-in terminals

"Quick connect" push-in terminals for fast and easy wiring.

Operating Temperature

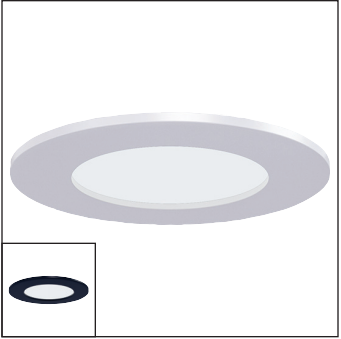
-30°C~-35°C (-22°F~-95°F)

Environment

- Suitable for wet locations.
- Suitable for insulated ceiling applications.
- Indoor/outdoor

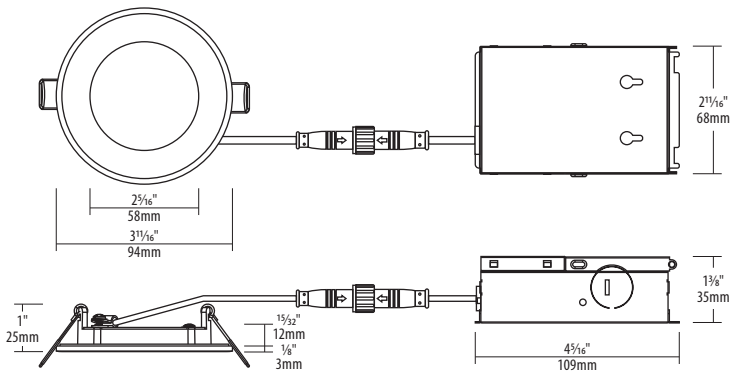
SPECIFICATION	
TM-30 Annex E	P2 / V- / F2
Application	Ceiling Recessed Mount
Approved Location	Wet / Insulated Ceilings
Beam Angle	110°
CCT	2700 K / 3000 K / 3500 K / 4000 K / 5000 K
Certification	cETLus
Color	BK / WH
CRI	90
Dimming	Yes
Dimming Tech	Forward/Reverse phase / TRIAC/ELV
Energy Star	Yes
Hole Cut	Ø 3 1/8" (79mm)
Input	100-135V AC, 60Hz
LM79	Yes
LM80	Yes
Lumens	Up to 505
Lumens per Watt	Up to 73
Power Factor	>0.9
Projected Life	70% @ 50,000 hrs
Title 24	JA8
Warranty	3-Years
Wattage	7W

CCT	Lumens
2700 K	435
3000 K	465
3500 K	495
4000 K	505
5000 K	495



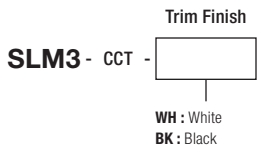
Description

A slender, low-profile downlight that not only excels in performance but also makes residential installation a breeze. This downlight solution offers impressive light output, energy efficiency and a modern, streamlined design. Made to excel even in wet locations.



Logos for ETL Intertek, Energy Star, JA8 Title 24, IC Rated, and LED DEL 3 Year Warranty.

Ordering Guide



Notes: Accessories are sold separately. For additional options please consult your Liteline representative. Due to our continued efforts to improve our products, product specifications are subject to change without notice.

Liteline Corporation Telephone 416.996.1856 Fax 905.709.5255
 Copyright © 2024 1.866.730.7704 1.888.738.9736
 All rights reserved.

LITELINE.COM

Accessories



VBE-1

Vapour barrier extender. For use in new construction applications.



VBE-2

Vapour barrier extender. For use in remodel applications.



VBE-3

Vapour barrier extender. For use in remodel applications.



VBE-5

Vapour barrier extender. For use in new construction applications.



LC-CRTL-3WAY-1

OnCloud Smart Wi-Fi 3-way switch. Suitable for 3-way or 4-way switch applications.



LC-CRTL-DIM-1

OnCloud Smart Wi-Fi dimmer. Features an ON/OFF press and a 7 level touch slider.



SLM-ORIG-EXT-10-3W

10ft flexible extension used with the SlimLED Original series to extend the distance between the fixture and the driver.



SLM-ORIG-EXT-50-3W

50ft flexible extension used with the SlimLED Original series to extend the distance between the fixture and the driver.