

Individual Spec Sheet

HIGH FREQUENCY SENSOR BI-LEVEL AND TRI-LEVEL CAPABILITY FIELD INSTALLABLE

ORDERING INFORMATION

Order code: 69444
UPC: 069549030633
Case quantity: 100

SENSOR TECHNICAL SPECIFICATIONS

Input voltage: 120-347 V (50/60 Hz)
Dimming (V): 0-10
Mounting height (ft): 40 MAX.
Detection area (ft): 65 MAX.
Operating temp.: -30°C to +40°C (-22°F to +104°F)

SENSOR DEFAULT PROGRAMMING SETTINGS

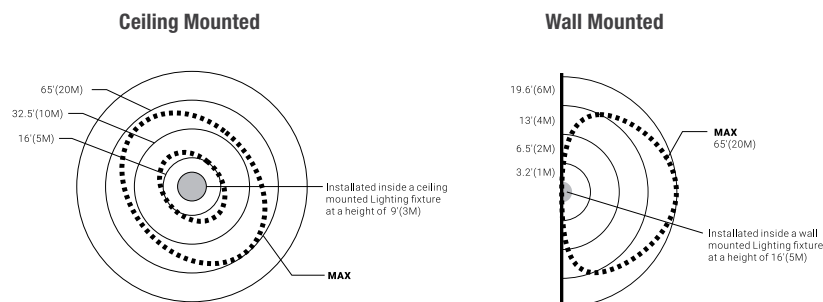
Sensitivity: High
Brightness: 100%
Hold time: 5 min.
Standby dimming level: 50%
Stand-by time: 30 min.
Photocell: Off

ADDITIONAL SENSOR PROGRAMMING SETTINGS

To take advantage of additional setting options and/or modify sensor programming, please order the remote control (Order Code: 69080)

Sensitivity: Off / Low / High
Brightness: 50% / 75% / 100%
Hold time: 30 sec. / 5 min. / 15 min. / 30 min.
Standby dimming level: 0% / 10% / 30% / 50%
Stand-by time: 10 sec. / 5 min. / 15 min. / 30 min. / 60 min.
Photocell: Off

SENSOR DETECTION COVERAGE



quick
ship



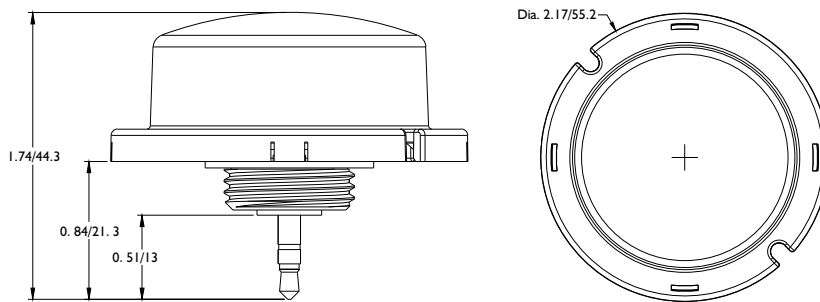
Data is based upon tests performed in a controlled environment. Actual performance can vary depending on operating conditions. All products are subject to change or may be discontinued any time without notice.

COMPATIBLE WITH

Product Category	Order Code	Model number
Under Canopy and Garage	69388	IFO-PS70A-Q-3CBRP
	69420	IFO-PS70A-Q-3CWHP
High Bay	69428	L1RVH-PS150-Q/3C-B/CHOICE
	69560	L1RVH-PS150-Q/3C-W/CHOICE
	69746	L1RVH-PS180-Q/3C-B/CHOICE
	69429	L1RVH-PS240-Q/3C-B/CHOICE

DIMENSIONS

Unit:inch/mm



Qty	Description	Price

I accept the specifications of the accessory configuration mentioned above.

Name: _____

Company: _____

Signature: _____

Date: _____

Data is based upon tests performed in a controlled environment. Actual performance can vary depending on operating conditions.
All products are subject to change or may be discontinued any time without notice.