

Project: _____ Type: _____

Drawn by: _____ Catalogue #: _____ Date: _____

Individual Spec Sheet

FLOOD LIGHT

ORDERING INFORMATION

Order code: 66945
Model number: FL/S3/277-480/400W/50K/YK/BZ/STD
UPC: 069549669451
Case quantity: 1
DLC unique ID: -

PHYSICAL DATA

Type: Flood light
Finish: Bronze Powder Coating
Housing material: Diecast Aluminum
Lens material: Polycarbonate
Mounting: Yoke

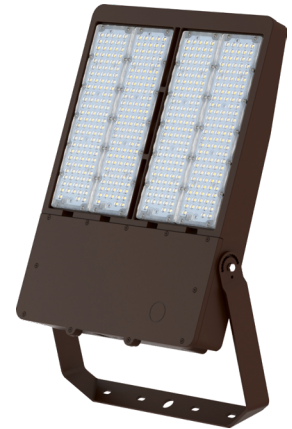
PERFORMANCE DATA

Watts (W): 400
Volts (VAC): 277-480
Colour temp. (K):¹ 5 000
Lumen output (lm):² 52 413
Lumen per Watts (lm/W): 130
CRI: 70
Life L70 (hrs):³ 50 000
THD (%): <20
Power factor: >0.9
Surge protection (Kv): 10
Frequency (Hz): 50/60
Dimming: 0-10 V
Operating temp. range: -40 °C to 40 °C (-40 °F to 104 °F)
NEMA type: 7H x 7V
B.U.G. rating: B5-U0-G3
IK rating: IK10

¹ Typical colour temperature range: +/- 5 %

² Lumen values are derived from photometric testing. Initial lumens range: +/- 10 %

³ Life hours are derived from IESNA LM80-08 testing report and projected per IESNA TM-21-11 extrapolations



quick
ship



LED
fixture



dimmable
fixture



wet
location



IK10

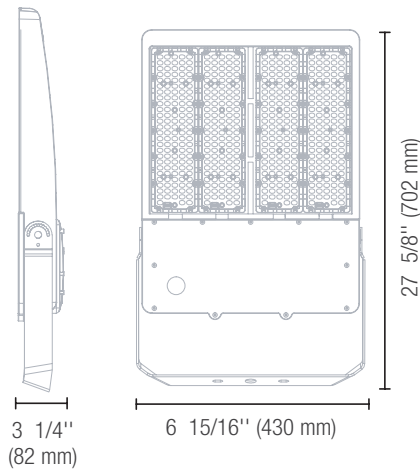


ICES
005



This lighting equipment complies with Canadian standard ICES-005 for use in residential applications.
Data is based upon tests performed in a controlled environment.
Actual performance can vary depending on operating conditions. Specifications are subject to change without notice.

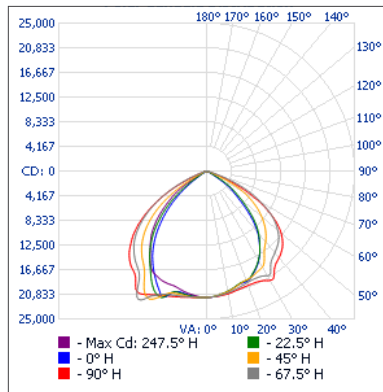
DIMENSIONS



PHOTOMETRIC DATA¹

66945 • FL/S3/277-480/400W/50K/YK/BZ/STD • 50 918.7 lm

Polar candela distribution



Zonal lumen summary

Zone	Lumens	% Luminaire
0-30	17 648.9	33.9%
0-40	29 089.2	55.8%
0-60	48 207.1	92.5%
60-90	3 891.0	7.5%
70-100	680.1	1.3%
90-120	0	0%
0-90	52 098.0	100%
90-180	0	0%
0-180	52 098.0	100%

Illuminance at a distance

Center beam fc	Beam width
8.3'	15.2' 24.0'
16.7'	30.6' 48.4'
25.0'	45.8' 72.4'
33.3'	61.0' 96.4'
41.7'	76.4' 120.7'
50.0'	91.6' 144.8'

■ Vert. spread: 85.0°
■ Horiz. spread: 110.7°

¹ Complete IES files available on our website.

Qty	Description	Price

I accept the specifications of the luminaire configuration mentioned above.

Name: _____
 Company: _____
 Signature: _____

Date: _____

Data is based upon tests performed in a controlled environment. Actual performance can vary depending on operating conditions. All products are subject to change or may be discontinued any time without notice.