

Series Spec Sheet

FLOOD LIGHT GEN 3

This modern design is a family of highly efficient and powerful LED flood lights available in five different lumen packages. Typical applications include general lighting of grounds, storage yards, car dealerships, parking areas as well as flood lighting of signs and building fronts. This series is a great addition to any commercial or industrial flood lighting application.

FEATURES AND SPECIFICATIONS

• Construction

Housing

Each fixture within this series has a modern design with aluminum die cast housing, with a bronze anticorrosive powder coat finish. Other colors are available upon request.

Mounting

This series comes either with a yoke or slipfitter mount.

Lens

This series is outfitted with a polycarbonate lens and is offered in a NEMA 7H x 7V or Type III distribution type.

• Compliances

- IP65
- IK10
- Wet location
- cULus
- Meets requirements of ICES-005 for class B products

• Electrical

- The drivers allow input from 120-277 or 347-480 V and is reliable in the coldest of temperatures.
- 0-10 V dimmable
- This series is suitable for ambient temperature range of -40 to 40 °C. Available in 4 000 and 5 000 K color temperatures with a lumen per watt ratio of 127 to 151 lm/W depending on the lumen package.

OVERVIEW

Light source	LED
Watts (W)	100 - 400
Lumen output (lm)	13 475 - 52 434
Efficiency (lm/W)	127 - 151
Color temperature (K)	4 000, 5 000
CRI	70



YOKE



SLIPFITTER



quick ship



LED fixture



dimmable



wet location



IK10



ICES 005



Not all products are qualified on the DLC QPL. To view our DLC qualified products, please consult the DLC Qualified Products List at www.designlights.org/search.

QUICK SHIP AND TECHNICAL SPECIFICATION TABLE  ¹

Order code	Model number	DLC unique ID	Watts (W)	Volts (VAC)	Lumen output (lm) ²	Efficiency (lm/W)	CRI	NEMA type	Life L70 (hrs) ³	Finish	Dimming (Yes/No)	EPA	B.U.G	LED current (mA)	Power factor	THD (%)	Traditional equivalent (W) HM SHP	Case qty (master)
4 000 K																		
YOKE																		
66879	FL/S3/100-277/100W/40K/YK/BZ/STD	PLH1WXOXVSK2	100	120-277	13 494	139	70	7H x 6V	50 000	Bronze	Yes	1.22	3-0-2	1 500	0.90	< 20	400 175	1
66887	FL/S3/100-277/150W/40K/YK/BZ/STD	PL6GKQL8TXJH	150	120-277	20 680	138	70	7H x 6V	50 000	Bronze	Yes	1.22	4-0-3	1 800	0.90	< 20	400 400	1
66920	FL/S3/277-480/150W/40K/YK/BZ/STD	PLPKJ0E13V3T	150	347-480	21 618	139	70	7H x 6V	50 000	Bronze	Yes	1.22	4-0-3	880	0.90	< 20	400 400	1
66924	FL/S3/100-277/230W/40K/YK/BZ/STD	PLXHZ088L4EJ	230	120-277	31 312	138	70	7H x 6V	50 000	Bronze	Yes	1.91	5-0-3	2 500	0.90	< 20	400 400	1
66932	FL/S3/100-277/300W/40K/YK/BZ/STD	PLV71ACK4BU3	300	120-277	41 169	135	70	7H x 6V	50 000	Bronze	Yes	2.47	5-0-3	3 500	0.90	< 20	1 000 1 000	1
66936	FL/S3/277-480/300W/40K/YK/BZ/STD	PLXILX176T51	300	347-480	41 902	139	70	7H x 6V	50 000	Bronze	Yes	2.47	5-0-3	1 800	0.90	< 20	1 000 1 000	1
66940	FL/S3/100-277/400W/40K/YK/BZ/STD	PLEDM80Y83N2	400	120-277	52 340	129	70	7H x 6V	50 000	Bronze	Yes	3.1	5-0-3	5 000	0.90	< 20	1 000 1 000	1
66944	FL/S3/277-480/400W/40K/YK/BZ/STD	PLGNY5S21926	400	347-480	52 413	130	70	7H x 6V	50 000	Bronze	Yes	3.1	5-0-3	2 800	0.90	< 20	1 000 1 000	1
4 000 K																		
SLIPFITTER																		
66881	ARL/S3/100-277/100W/40K/III/SF/BZ/STD	PLR4R0Q89MEE	100	120-277	13 475	138	70	III	50 000	Bronze	Yes	1.22	3-0-3	1 500	0.90	< 20	250 200	1
66889	ARL/S3/100-277/150W/40K/III/SF/BZ/STD	PLZTMPZVSG1N	150	120-277	20 680	138	70	III	50 000	Bronze	Yes	1.22	3-0-3	1 800	0.90	< 20	400 400	1
66926	ARL/S3/100-277/230W/40K/III/SF/BZ/STD	PLA4YJ7YCWR	230	120-277	31 312	138	70	III	50 000	Bronze	Yes	1.91	4-0-5	2 500	0.90	< 20	400 400	1
66930	ARL/S3/277-480/230W/40K/III/SF/BZ/STD	PLHE29QB0PKD	230	347-480	32 456	137	70	III	50 000	Bronze	Yes	1.91	4-0-5	1 400	0.90	< 20	400 400	1
66934	ARL/S3/100-277/300W/40K/III/SF/BZ/STD	PLEONH8WLVCEP	300	120-277	40 894	134	70	III	50 000	Bronze	Yes	2.47	4-0-5	3 500	0.90	< 20	1 000 1 000	1
66938	ARL/S3/277-480/300W/40K/III/SF/BZ/STD	PLDJ8VOAHS67	300	347-480	41 902	139	70	III	50 000	Bronze	Yes	2.47	4-0-5	1 800	0.90	< 20	1 000 1 000	1
66942	ARL/S3/100-277/400W/40K/III/SF/BZ/STD	PLJDLULG60FY	400	120-277	51 343	127	70	III	50 000	Bronze	Yes	3.1	5-0-5	5 000	0.90	< 20	1 000 1 000	1
66946	ARL/S3/277-480/400W/40K/III/SF/BZ/STD	PLD3JZ0M7NAL4	400	347-480	51 414	128	70	III	50 000	Bronze	Yes	3.1	5-0-5	2 800	0.90	< 20	1 000 1 000	1
5 000 K																		
YOKE																		
66880	FL/S3/100-277/100W/50K/YK/BZ/STD	PLOVOIKOQWET	100	120-277	13 494	139	70	7H x 6V	50 000	Bronze	Yes	1.22	3-0-2	817	0.90	< 20	400 175	1
66884	FL/S3/277-480/100W/50K/YK/BZ/STD	PLKAH4E6N0KJ	100	347-480	14 279	147	70	7H x 6V	50 000	Bronze	Yes	1.22	3-0-2	219 - 388	0.90	< 20	400 175	1
66886	FL/S3/100-277/150W/50K/YK/BZ/STD	PLS391KP8A5B	150	120-277	20 680	138	70	7H x 6V	50 000	Bronze	Yes	1.22	4-0-3	1 250	0.90	< 20	400 400	1
66921	FL/S3/277-480/150W/50K/YK/BZ/STD	PLZ3F5T5Q47L	150	347-480	21 618	140	70	7H x 6V	50 000	Bronze	Yes	1.22	4-0-3	392 - 557	0.90	< 20	400 400	1
66929	FL/S3/277-480/230W/50K/YK/BZ/STD	PLR7HX5P9T8E	230	347-480	32 456	138	70	7H x 6V	50 000	Bronze	Yes	1.91	5-0-3	491 - 833	0.90	< 20	400 400	1
66933	FL/S3/100-277/300W/50K/YK/BZ/STD	PLEGM3W7X90X	300	120-277	41 924	137	70	7H x 6V	50 000	Bronze	Yes	2.47	5-0-3	2 476	0.90	< 20	1 000 1 000	1
66937	FL/S3/277-480/300W/50K/YK/BZ/STD	PLIYEFTYLKX	300	347-480	41 902	139	70	7H x 6V	50 000	Bronze	Yes	2.47	5-0-3	628 - 1117	0.90	< 20	1 000 1 000	1
66941	FL/S3/100-277/400W/50K/YK/BZ/STD	PLBLB7RFSRE3	400	120-277	52 340	129	70	7H x 6V	50 000	Bronze	Yes	3.1	5-0-3	3 376	0.90	< 20	1 000 1 000	1
66945	FL/S3/277-480/400W/50K/YK/BZ/STD	PLIZCSM62K6L	400	347-480	52 413	130	70	7H x 6V	50 000	Bronze	Yes	3.1	5-0-3	857 - 1444	0.90	< 20	1 000 1 000	1
5 000 K																		
SLIPFITTER																		
66886	ARL/S3/277-480/100W/50K/III/SF/BZ/STD	PLBSVZL1EQ	100	347-480	14 687	151	70	III	50 000	Bronze	Yes	1.22	3-0-3	220 - 389	0.90	< 20	250 200	1
66919	ARL/S3/100-277/150W/50K/III/SF/BZ/STD	PL4BWOXAEPY	150	120-277	19 889	133	70	III	50 000	Bronze	Yes	1.22	3-0-3	1 285	0.90	< 20	400 400	1

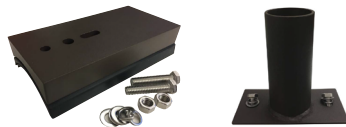
¹ **QUICK SHIP:** Product availability is subject to change without notice. Please contact your Stanpro customer service representative to confirm inventory levels at time of order.

² Lumen values are derived from photometric testing. Initial lumens range: +/- 10 %.

³ Life hours are derived from IESNA LM-80-08 testing report and projected per IESNA TM-21-11 extrapolations.

ACCESSORIES (order separately)

Order code	Description	Type	Compatible with
67055	FL/S3/ACC/MA/STD	Straight arm for pole mount	66881, 66889, 66922, 66926, 66930, 66934, 66938, 66942, 66946
66702	LFL/L/S2/ACC/MA/RND POLE MOUNT/STD	Round pole adapter (4", 5" & 6")	66881, 66889, 66922, 66926, 66930, 66934, 66938, 66942, 66946
66155	LFL/L/S2/ACC/SF/SQR POLE MOUNT/STD	Wall mount adapter	66881, 66889, 66922, 66926, 66930, 66934, 66938, 66942, 66946

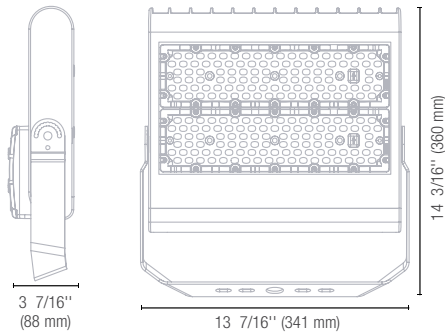


Data is based upon tests performed in a controlled environment. Actual performance can vary depending on operating conditions. All products are subject to change or may be discontinued any time without notice.

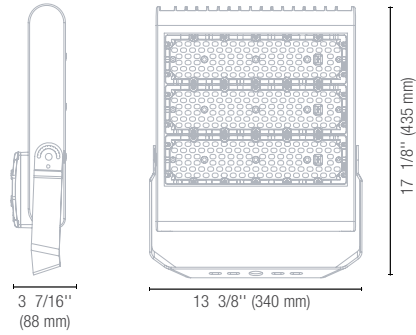
DIMENSIONS

YOKE

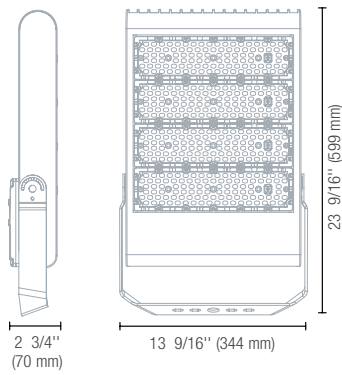
100 - 150 W



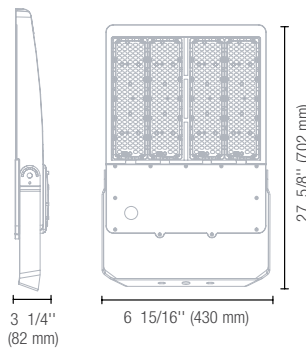
230 W



300 W

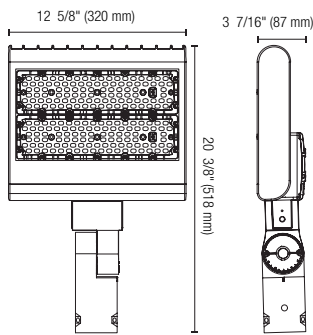


400 W

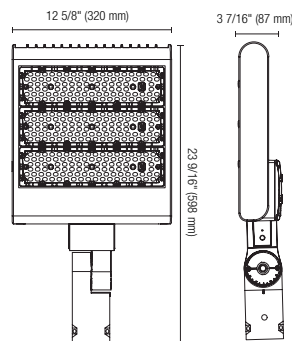


SLIPFITTER

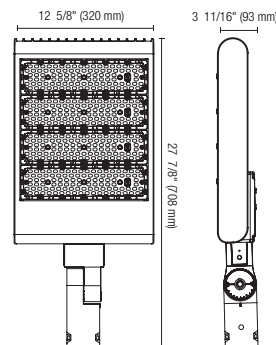
100 - 150 W



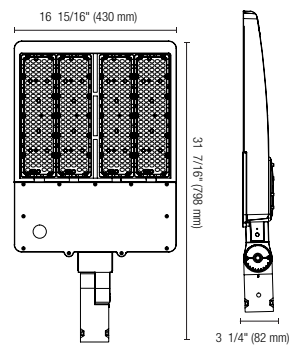
230 W



300 W



400 W

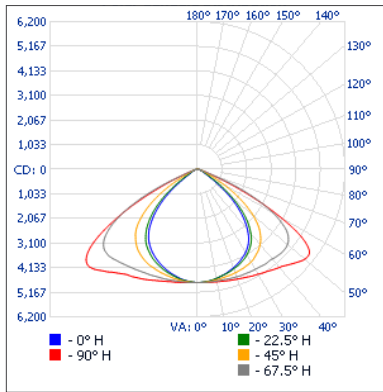


Data is based upon tests performed in a controlled environment. Actual performance can vary depending on operating conditions. All products are subject to change or may be discontinued any time without notice.

PHOTOMETRIC DATA¹

66879 & 66880 • FL/S3/100-277/100W/XXK/YK/BZ/STD • 13 458.6 lm

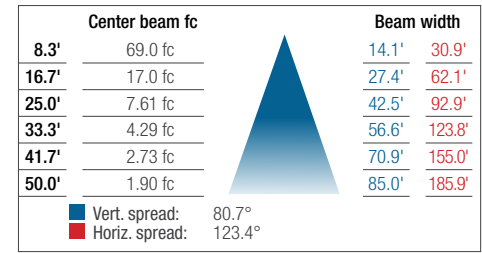
Polar candela distribution



Zonal lumen summary

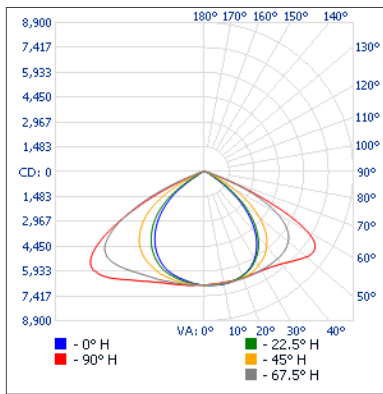
Zone	Lumens	% Lamp	% Fixture
0-30	3 899.1	29%	29%
0-40	6 661.1	49.5%	49.5%
0-60	12 195.6	90.6%	90.6%
60-90	1 261.2	9.4%	9.4%
70-100	252.9	1.9%	1.9%
90-120	0	0%	0%
0-90	13 458.8	100%	100%
90-180	0	0%	0%
0-180	13 458.8	100%	100%

Illuminance at a distance



66887 & 66888 • FL/S3/100-277/150W/XXK/YK/BZ/STD • 20 156.3 lm

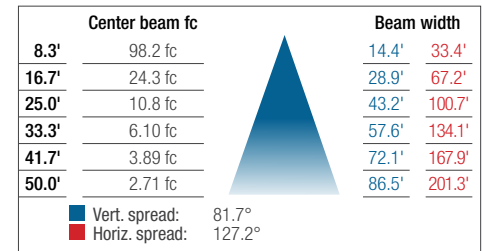
Polar candela distribution



Zonal lumen summary

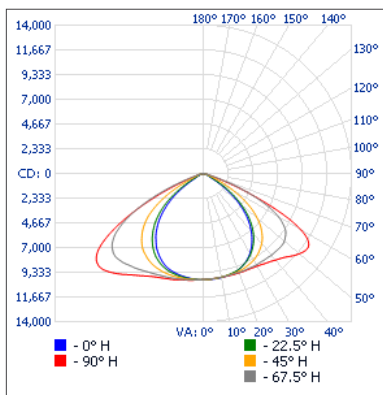
Zone	Lumens	% Lamp	% Fixture
0-30	5 615.1	27.9%	27.9%
0-40	9 579.7	47.5%	47.5%
0-60	17 845.0	88.5%	88.5%
60-90	2 308.7	11.5%	11.5%
70-100	461.0	2.3%	2.3%
90-120	0	0%	0%
0-90	20 153.8	100%	100%
90-180	0	0%	0%
0-180	20 153.8	100%	100%

Illuminance at a distance



66924 & 66925 • FL/S3/100-277/230W/XXK/YK/BZ/STD • 30 069.9 lm

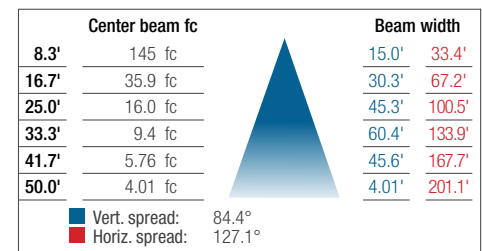
Polar candela distribution



Zonal lumen summary

Zone	Lumens	% Lamp	% Fixture
0-30	8 333.0	27.7%	27.7%
0-40	14 236.1	47.3%	47.3%
0-60	26 615.4	88.5%	88.5%
60-90	3 450.7	11.5%	11.5%
70-100	672.2	2.2%	2.2%
90-120	0	0%	0%
0-90	30 066.2	100%	100%
90-180	0	0%	0%
0-180	30 066.2	100%	100%

Illuminance at a distance



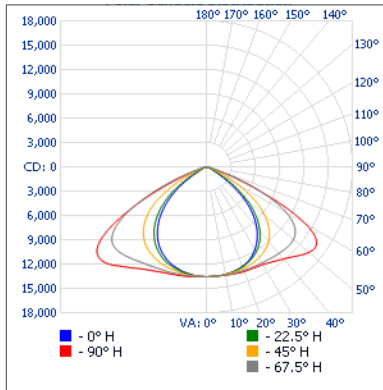
¹ Complete IES files available on our website.

Data is based upon tests performed in a controlled environment. Actual performance can vary depending on operating conditions. All products are subject to change or may be discontinued any time without notice.

PHOTOMETRIC DATA¹

66932 & 66933 • FL/S3/100-277/300W/XXK/YK/BZ/STD • 40 369 lm

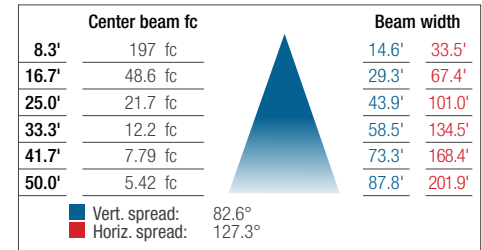
Polar candela distribution



Zonal lumen summary

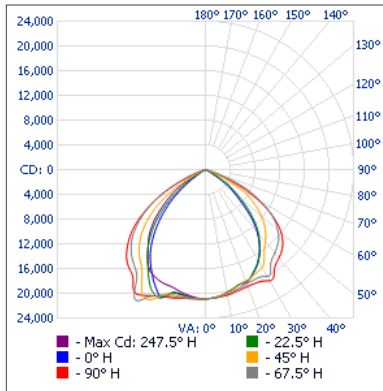
Zone	Lumens	% Lamp	% Fixture
0-30	11 203.1	27.8%	27.8%
0-40	19 132.3	47.4%	47.4%
0-60	35 840.6	88.8%	88.8%
60-90	4 523.3	11.2%	11.2%
70-100	846.1	2.1%	2.1%
90-120	0	0%	0%
0-90	40 363.9	100%	100%
90-180	0	0%	0%
0-180	40 363.9	100%	100%

Illuminance at a distance



66940 & 66947 • FL/S3/100-277/400W/XXK/YK/BZ/STD • 50 918.7 lm

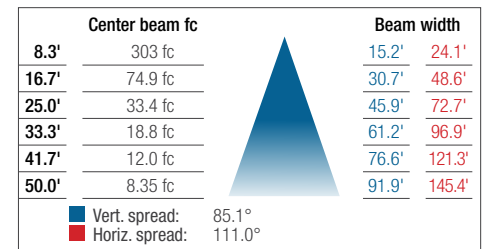
Polar candela distribution



Zonal lumen summary

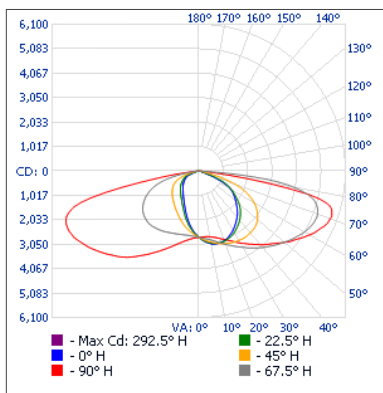
Zone	Lumens	% Lamp	% Fixture
0-30	17 217.7	33.8%	33.8%
0-40	28 378.6	55.7%	55.7%
0-60	47 079.5	92.5%	92.5%
60-90	3 832.1	7.5%	7.5%
70-100	662.6	1.3%	1.3%
90-120	0	0%	0%
0-90	50 911.6	100%	100%
90-180	0	0%	0%
0-180	50 911.6	100%	100%

Illuminance at a distance



66881 & 66882 • ARL/S3/100-277/100W/XXK/III/SF/BZ/STD • 13 354.5 lm

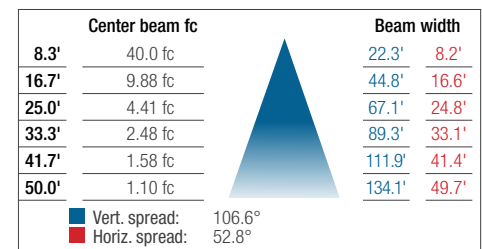
Polar candela distribution



Zonal lumen summary

Zone	Lumens	% Lamp	% Fixture
0-30	2 327.3	17.4%	17.4%
0-40	4 086.7	30.6%	30.6%
0-60	8 721.5	65.3%	65.3%
60-90	4 632.5	34.7%	34.7%
70-100	2 176.9	16.3%	16.3%
90-120	0	0%	0%
0-90	13 354.0	100%	100%
90-180	0	0%	0%
0-180	13 354.0	100%	100%

Illuminance at a distance



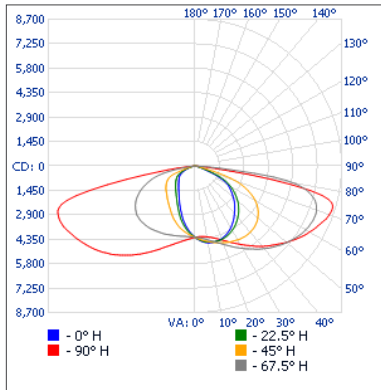
¹ Complete IES files available on our website.

Data is based upon tests performed in a controlled environment. Actual performance can vary depending on operating conditions. All products are subject to change or may be discontinued any time without notice.

PHOTOMETRIC DATA¹

66889 & 66919 • ARL/S3/100-277/150W/XXK/III/SF/BZ/STD • 19 934.4 lm

Polar candela distribution



Zonal lumen summary

Zone	Lumens	% Lamp	% Fixture
0-30	3 558.9	17.9%	17.9%
0-40	6 227.6	31.2%	31.2%
0-60	13 168.8	66.1%	66.1%
60-90	6 764.8	33.9%	33.9%
70-100	3 146.5	15.8%	15.8%
90-120	0	0%	0%
0-90	19 933.6	100%	100%
90-180	0	0%	0%
0-180	19 933.6	100%	100%

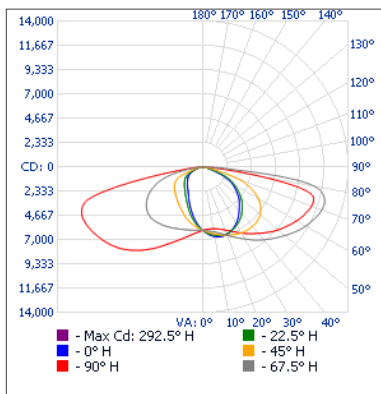
Illuminance at a distance

Center beam fc	Beam width	
	24.7'	12.8'
8.3'	61.4 fc	
16.7'	15.2 fc	49.8'
25.0'	6.77 fc	74.5'
33.3'	3.81 fc	99.3'
41.7'	2.43 fc	124.3'
50.0'	1.69 fc	149.1'

Vert. spread: 112.3°
 Horiz. spread: 75.1°

66926 & 66927 • ARL/S3/100-277/230W/XXK/III/SF/BZ/STD • 29 556.2 lm

Polar candela distribution



Zonal lumen summary

Zone	Lumens	% Lamp	% Fixture
0-30	5 186.0	17.5%	17.5%
0-40	9 120.2	30.9%	30.9%
0-60	19 417.9	65.7%	65.7%
60-90	10 137.2	34.3%	34.3%
70-100	4 757.6	16.1%	16.1%
90-120	0	0%	0%
0-90	29 555.0	100%	100%
90-180	0	0%	0%
0-180	29 555.0	100%	100%

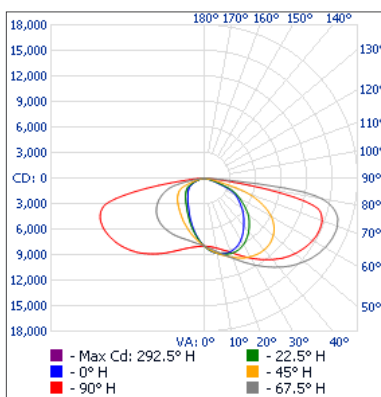
Illuminance at a distance

Center beam fc	Beam width	
	22.2'	8.2'
8.3'	88.7 fc	
16.7'	21.9 fc	44.7'
25.0'	9.78 fc	66.9'
33.3'	5.51 fc	89.1'
41.7'	3.51 fc	111.6'
50.0'	2.44 fc	133.8'

Vert. spread: 106.5°
 Horiz. spread: 52.5°

66934 & 66935 • ARL/S3/100-277/300W/XXK/III/SF/BZ/STD • 38 502.2 lm

Polar candela distribution



Zonal lumen summary

Zone	Lumens	% Luminaire
0-30	6 793.4	17.6%
0-40	11 943.0	31%
0-60	25 284.1	65.7%
60-90	13 218.1	34.3%
70-100	6 320.3	16.4%
90-120	0	0%
0-90	38 502.2	100%
90-180	0	0%
0-180	38 502.2	100%

Illuminance at a distance

Center beam fc	Beam width	
	20.7'	6.4'
8.3'	116 fc	
16.7'	28.7 fc	41.7'
25.0'	12.8 fc	62.5'
33.3'	7.21 fc	83.2'
41.7'	4.60 fc	104.2'
50.0'	3.20 fc	142.1'

Vert. spread: 102.7°
 Horiz. spread: 42.1°

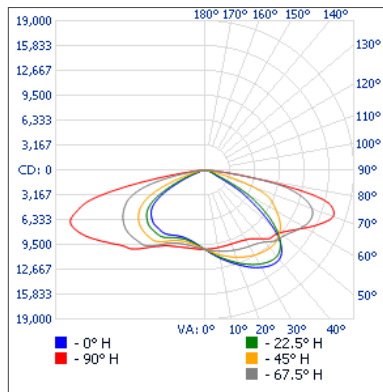
¹ Complete IES files available on our website.

Data is based upon tests performed in a controlled environment. Actual performance can vary depending on operating conditions. All products are subject to change or may be discontinued any time without notice.

PHOTOMETRIC DATA¹

66942 & 66943 • ARL/S3/100-277/400W/XXK/III/SF/BZ/STD • 50 428 lm

Polar candela distribution



Zonal lumen summary

Zone	Lumens	% Luminaire
0-30	8 960.1	17.8%
0-40	16 296.3	32.3%
0-60	35 450.5	70.3%
60-90	14 974.7	29.7%
70-100	6 208.1	12.3%
90-120	0	0%
0-90	50 425.2	100%
90-180	0	0%
0-180	50 425.2	100%

Illuminance at a distance

Center beam fc	Beam width	
	ft	m
8.3'	22.4'	85.2'
16.7'	45.0'	171.4'
25.0'	67.3'	256.7'
33.3'	89.7'	341.9'
41.7'	112.3'	428.1'
50.0'	164.7'	513.3'

■ Vert. spread: 106.8°
■ Horiz. spread: 158.0°

¹ Complete IES files available on our website.

Data is based upon tests performed in a controlled environment. Actual performance can vary depending on operating conditions. All products are subject to change or may be discontinued any time without notice.