

SLIMLED ORIGINAL

4", 680-940 Lumens, 9-12W, Color Selectable
Recessed Downlighting

Job Information		
Project Name		Type
Location		
Quantity		Date
Contact/Phone		
Notes		

Features

Body

Durable airtight aluminum body with UV stable paint and white PMMA diffuser lens for low glare. Includes silicone gasket for wet location applications.

LED Characteristics

This general application light fixture features a 9 watt (for standard output) or 12 watt (for high output) LED module that maintains uniform intensity producing up to 940 lumens; with a typical CRI of 90. Available with 5 step CCT switch on the driver (2700 K, 3000 K, 3500 K, 4000 K and 5000 K).

Dimming

100%-10% dimming capability. This fixture is compatible with industry standard forward/reverse phase or TRIAC/ELV dimmers. For compatible dimmers, visit www.liteline.com/SlimLEDOOriginal.

Beam Spread

The fixture lens provides 110° beam spread.

Mounting

Includes two spring loaded clips to attached to any ceiling material.

LED Driver

Steel hardwire box with 200mA (for standard output) or 280mA (for high output) dimmable class II electronic LED driver with 100-135V AC input. Includes an 18" plenum rated FT4 wire with DC 2.1 connector from driver to fixture.

Quick Connect push-in terminals

"Quick connect" push-in terminals for fast and easy wiring.

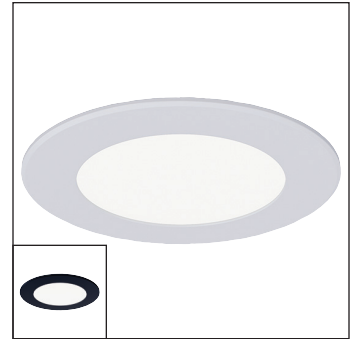
Operating Temperature

-30°C~35°C (-22°F~95°F)

Environment

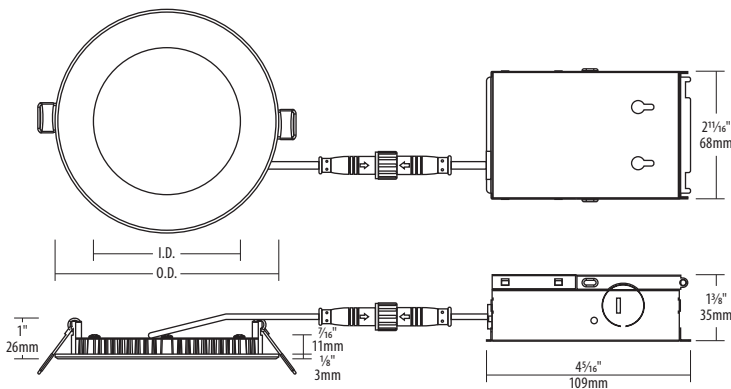
- Suitable for wet locations.
- Suitable for insulated ceiling applications.
- Indoor/outdoor

SPECIFICATION	
TM-30 Annex E	P2 / V- / F3
Application	Ceiling Recessed Mount
Approved Location	Wet / Insulated Ceilings
Beam Angle	110°
CCT	2700 K / 3000 K / 3500 K / 4000 K / 5000 K
Certification	cETLus
Color	BK / WH
CRI	90
Dimming	Yes
Dimming Tech	Forward/Reverse phase / TRIAC/ELV
Energy Star	Yes
Hole Cut	Ø 4¼" (108mm)
Input	100-135V AC, 60Hz
LM79	Yes
LM80	Yes
Lumens	Up to 940
Lumens per Watt	Up to 85
Power Factor	>0.9
Projected Life	70% @ 50,000 hrs
Title 24	JA8
Warranty	3-Years
Wattage	9W / 12W



Description

A slender, low-profile downlight that not only excels in performance but also makes residential installation a breeze. This downlight solution offers impressive light output, energy efficiency and a modern, streamlined design. Made to excel even in wet environments.

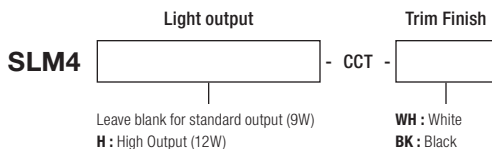


Size	O.D.	I.D.
SLM4	4 1/16" (119.5mm)	3 3/32" (78.5mm)
SLM4H	4 3/16" (122mm)	3 1/8" (79mm)

CCT	Lumens	
	SLM4	SLM4H
2700 K	590	850
3000 K	630	880
3500 K	660	920
4000 K	680	940
5000 K	660	920



Ordering Guide



Notes: Accessories are sold separately. For additional options please consult your Liteline representative. Due to our continued efforts to improve our products, product specifications are subject to change without notice.

Accessories



SLM4-XLRING-BK

Extra large trim ring for SLM4-CCT, metal, black.



SLM4-XLRING-WH

Extra large trim ring for SLM4-CCT, metal, white.



SLM4P-XLRING-BK

Extra large trim ring for SLM4H-CCT, metal, black.



SLM4P-XLRING-WH

Extra large trim ring for SLM4H-CCT, metal, white.



P-4020

4¼" Round pre-mounting plate with driver attachment clip, for 4" SlimLED fixtures.



P-NCMK-1

Hanger bar kit. Includes hanger bars, brackets and screws.



VBE-1

Vapour barrier extender. For use in new construction applications.



VBE-2

Vapour barrier extender. For use in remodel applications.



VBE-3

Vapour barrier extender. For use in remodel applications.



VBE-5

Vapour barrier extender. For use in new construction applications.



SLM-ORIG-EXT-10-3W

10ft flexible extension used with the SlimLED Original series to extend the distance between the fixture and the driver.



SLM-ORIG-EXT-50-3W

50ft flexible extension used with the SlimLED Original series to extend the distance between the fixture and the driver.



LC-CRTL-3WAY-1

OnCloud Smart Wi-Fi 3-way switch. Suitable for 3-way or 4-way switch applications.



LC-CRTL-DIM-1

OnCloud Smart Wi-Fi dimmer. Features an ON/OFF press and a 7 level touch slider.