

SLMT4-8W

4" SLIMLED MULTI, up to 560 Lumens, 8 Watt,
Color Selectable, "Dead Front" Trim
Recessed Downlighting

Job Information		
Project Name		Type
Location		
Quantity		Date
Contact/Phone		
Notes		

Features

Body

Durable airtight plastic body with mounting holes and included butterfly clips. On-face magnets allows for securely attaching one of three included dead front magnetic faceplates (White, Black and Silver).

LED Characteristics

This general application light fixture features an 8 watt LED module that maintains uniform intensity producing up to 560 lumens; with a typical CRI of 90. Available with 5 step CCT switch 2700 K, 3000 K, 3500 K, 4000 K, 5000 K.

Dimming

100%-10% dimming capability. This fixture is compatible with industry standard forward/reverse phase dimmers, TRIAC/ELV dimmers. For compatible dimmers, visit www.liteline.com/SlimLEDMulti

Beam Spread

The fixture lens provides 110° beam spread.

Mounting

Can be mounted to a compatible 4" recessed housing via included butterfly clips, or attached to an industry standard 4" octagon box with minimum depth of 1.5" (40mm) via mounting holes.

Compatible Recessed Housings

- RF401 series
- RF402 series
- RF405 series

LED Driver

Built-in on board driver with 40mA output and 100-135V AC input.

Quick Connect push-in terminals

"Quick connect" push-in terminals for fast and easy wiring.

Operating Temperature

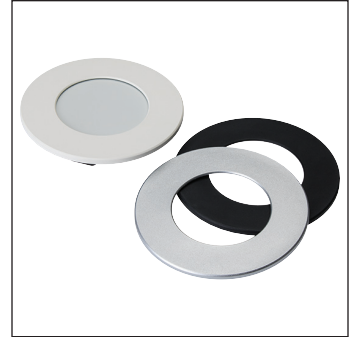
-30°C~40°C (-22°F~104°F)

Environment

- Suitable for wet locations.
- Fire-rated when used in a fire-rated octagon box.

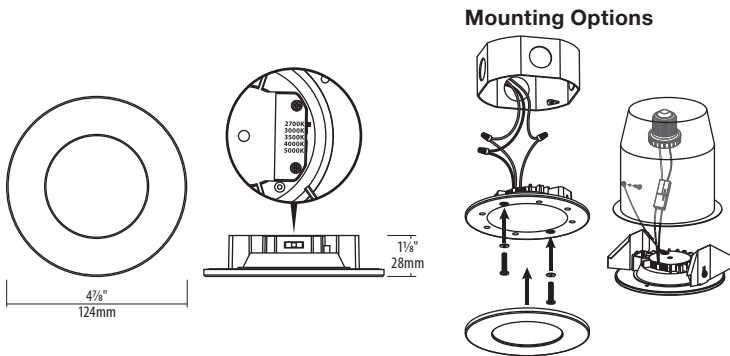
SPECIFICATION	
Application	Recessed / Flushmount Downlight
Approved Location	Wet
Beam Angle	110°
CCT	2700 K / 3000 K / 3500 K / 4000 K / 5000 K
Certification	cETLus
Color	BK / SL / WH
CRI	90
Dimming	Yes
Dimming Tech	Forward/Reverse phase / TRIAC/ELV
Energy Star	Yes
Hole Cut Size	Ø 4 3/16" (106mm)
Input	100-135V AC, 60Hz
LM79	Yes
LM80	Yes
Lumens	Up to 560
Lumens per Watt	Up to 70
Power Factor	0.9
Projected Life	70% @ 50,000 hrs
Title 24	JA8 (up to 4000 K)
Warranty	Lifetime
Wattage	8W

CCT	Lumens
2700 K	500
3000 K	500
3500 K	520
4000 K	540
5000 K	560



Description

The SLMT4-8W is an 8 watt 4" round downlight for retrofit application onto existing 4" recessed housings or 4" octagon box. It is a high-performance, easy to install residential grade downlight solution that offers good light output, energy-efficiency and streamlined design. Suitable for wet locations.



Ordering Guide



SLMT4-8W

4" SLIMLED MULTI color selectable round downlight, 8W, with three interchangeable trim rings.

* Title 24 JA8 compliant up to 4000 K.

Notes: Accessories are sold separately. For additional options please consult your Liteline representative. Due to our continued efforts to improve our products, product specifications are subject to change without notice.



Accessories



SLMT4-ST
Square trim for SLIMLED MULTI series.
Available in Black, Silver and White.



LC-CRTL-3WAY-1
OnCloud Smart Wi-Fi 3-way switch.
Suitable for 3-way or 4-way switch
applications.



LC-CRTL-DIM-1
OnCloud Smart Wi-Fi dimmer. Features
an ON/OFF press and a 7 level
touch slider.



SLMT4-CBPLT
Concrete box mounting plate kit, for
SLIMLED MULTI.

Job Information		
Project Name		Type
Location		
Quantity		Date
Contact/Phone		
Notes		