

Project: \_\_\_\_\_ Type: \_\_\_\_\_

Drawn by: \_\_\_\_\_ Catalogue #: \_\_\_\_\_ Date: \_\_\_\_\_

## Individual Spec Sheet

# EXTERNAL PIR SENSOR KIT OSI-EFS07-AUX

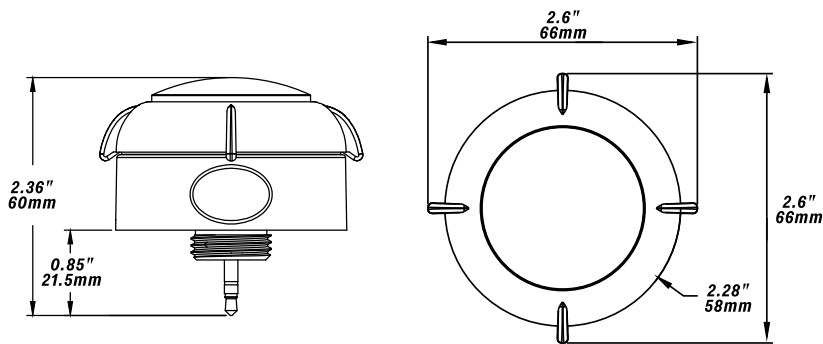
### ORDERING INFORMATION

**Order code:** 69640  
**Model number:** OSI-EFS07-AUX  
**UPC:** 069549028524  
**Case quantity:** 100

### COMPATIBLE WITH

Order Code	Model number
69428	L1RVH-PS150-Q/3C-B/CHOICE
69429	L1RVH-PS240-Q/3C-B/CHOICE
69560	L1RVH-PS150-Q/3C-W/CHOICE

### DIMENSIONS



Qty	Description	Price

I accept the specifications of the accessory configuration mentioned above.

Name: \_\_\_\_\_

Company: \_\_\_\_\_

Signature: \_\_\_\_\_

Date: \_\_\_\_\_

Data is based upon tests performed in a controlled environment. Actual performance can vary depending on operating conditions.  
 All products are subject to change or may be discontinued any time without notice.