

ORBIT

2" Rotatable Gimbal, up to 370 Lumens, 5 Watt,
Color Selectable
Recessed Downlighting

Job Information		
Project Name		Type
Location		
Quantity		Date
Contact/Phone		
Notes		

Features

Body

Durable aluminum body with 360° rotation and 80° tilting.

LED Characteristics

This general application light fixture features a 5 watt LED module that maintains uniform intensity producing up to 370 lumens; with a typical CRI of 90. With a CCT range of 2700 K - 5000 K color temperature.

Dimming

100%-10% dimming capability. This fixture is compatible with industry standard TRIAC/ELV dimmers. For compatible dimmers, visit www.liteline.com/Orbit

Beam Spread

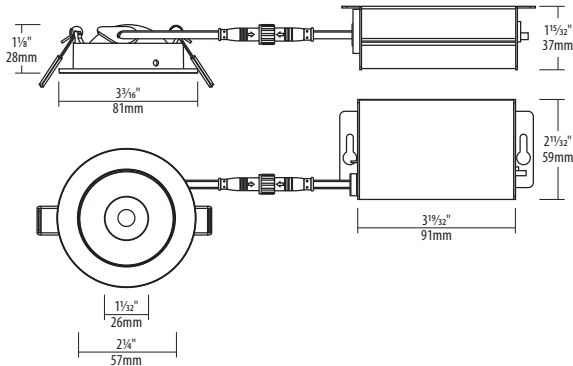
The fixture lens available in 24°, 38° and 50° beam spread options.

Mounting

Includes two spring loaded clips to attach to any ceiling material.

LED Driver

Extruded aluminum hardwire box with 120mA dimmable class II electronic LED



driver with 100-135V, 60Hz AC input. Includes an 15" FT6 rated cable with 3-pin DC connector between driver and fixture approved for use in plenums and suspended ceilings. Includes 5 position CCT switch.

Quick Connect push-in terminals

Three "Quick connect" push-in terminals for fast and easy wiring.

Operating Temperature

-40°C~40°C (-40°F~104°F)

Environment

- Suitable for wet locations.
- Approved for direct contact with insulation.
- Airtight
- Indoor / Outdoor rated.

SPECIFICATION	
Application	Ceiling Recess Mount
Approved Location	Wet / Insulated Ceilings
Beam Angle	24° / 38° / 50°
CCT	2700 K / 3000 K / 3500 K / 4000 K / 5000 K
Certification	cETLus
Class II	Yes
Color	BK / WH
CRI	95+
Dimming	Yes
Dimming Tech	TRIAC/ELV
Energy Star	Yes
Hole Cut	Ø 2 3/4" (70mm)
Input	100-135V AC, 60Hz
LM79	Yes
LM80	Yes
Lumens	Up to 370
Lumens per Watt	Up to 74
Power Factor	0.95
Projected Life	70% @ 50,000 hrs
Title 24	Yes
Warranty	Lifetime
Wattage	5W

CCT	Lumens
2700 K	345
3000 K	350
3500 K	365
4000 K	370
5000 K	370



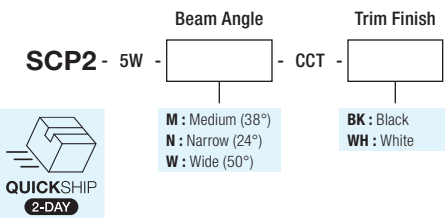
Description

The ORBIT is a 5 watt 2" gimbal recessed light fixture for retrofit applications, with 360° rotation and 80° tilt. It is a high-performance, easy to install downlight solution that offers good light output, energy-efficiency and streamlined design. Suitable for wet locations and ideal for vaulted ceiling and soffit installations.



Notes: Accessories are sold separately. For additional options please consult your Liteline representative. Due to our continued efforts to improve our products, product specifications are subject to change without notice.

Ordering Guide



* QuickShip lead time may vary for orders greater than 100 pieces. No additional shipment rates apply. Subject to availability.

Accessories



P-2810

2 $\frac{3}{4}$ " Round pre-mounting plate with driver attachment clip.



P-NCMK-1

New construction mounting kit. Includes hanger bars, brackets and screws.



ORBIT-EXT-10-3W

10' Flexible FT6 extension. 2 pcs max.



ORBIT-EXT-50-3W

50' Flexible FT6 extension. 2 pcs max.



VBE-1

Vapour barrier extender. For use in new construction applications.



VBE-2

Vapour barrier extender. For use in remodel applications.



VBE-3

Vapour barrier extender. For use in remodel applications.



VBE-4

Vapour barrier extender. For use in remodel applications.



VBE-5

Vapour barrier extender. For use in new construction applications.



LC-CRTL-3WAY-1

OnCloud Smart Wi-Fi 3-way switch. Compatible with WIZ App.



LC-CRTL-DIM-1

OnCloud Smart Wi-Fi dimmer, 120V. Compatible with WIZ App.