



# LRG4

## 4" Round Regressed Gimbal LED 11.4W



**Type IC, Wet & Air-Tight**

### DESCRIPTION

4" Round Regressed Gimbal LED 11.4W  
 With Integral Driver In Connection Box  
 Adjustable Yet Air-Tight Without Housing Needed

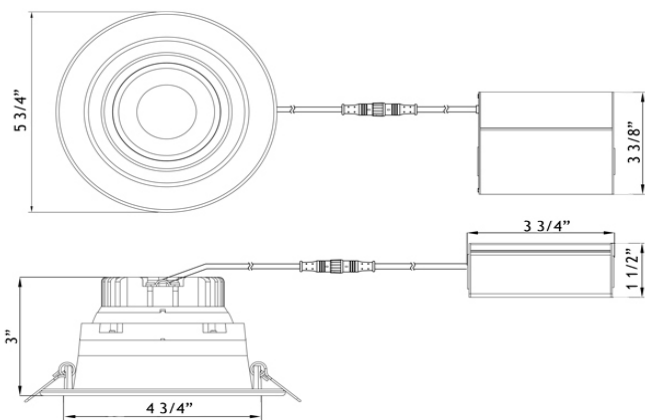
### FEATURES & BENEFITS

3" Deep - Install Where Ceiling Space Is Limited  
 Type IC Rated - No Housing Required  
 Driver Inside Connection Box - No Junction Box Needed  
 Directional Beam - Great for Sloped Ceilings and Artwork  
 CRI 90+ for True Color Rendering  
 Available in single CCT, Dim to Warm 30-20K & 30-18K, & 5CCT

### MOUNTING

Cut Hole In Ceiling And Snap Fixture In Opening With Attached Spring Clips. Ceiling Clearance Required: 3"

**DIMENSIONS:** ID 4 3/4" OD 5 3/4" Cut Out 4 3/4" to 5"



### AVAILABLE TRIMS



White

Black

Oil Rubbed Bronze

ORDERING GUIDE Example **LRG4-30K-WH**

LRG4	CCT	Trim Finish
	- xxK	- xx
2700K	<b>27K</b>	<b>WH</b> <a href="#">White</a>
3000K	<b>30K</b>	<b>BK</b> <a href="#">Black</a>
3500K	<b>35K</b>	<b>ORB</b> <a href="#">Oil Rubbed Bronze</a>
4100K	<b>41K</b>	
5000K	<b>50K</b>	
DTW 30K-20K	<b>32K</b>	Dim to Warm 3000K to 2000K
DTW 30K-18K	<b>3018K</b>	Dim to Warm 3000K to 1800K
5CCT	<b>5CCT</b>	User selectable 27-30-35-40-50K

Project: \_\_\_\_\_

Location: \_\_\_\_\_

Model #: \_\_\_\_\_

Qty: \_\_\_\_\_

Notes: \_\_\_\_\_

### SPECIFICATION

SPECIFICATION	
Applications	Sloped Ceilings up to 20°, General Lighting
Energy Used	11.4 W
Color Temperature (K)	2700   3000   3500   4100   5000   DTW 30-20   DTW 30-18
Light Output W (lm)	960   1000   1020   1050   1100   800   980
Beam Angle	38° wide beam with 20° tilt and 360° rotation
CRI	90 +
Default Driver Input	120V AC Triac Dimmable
Optional Driver Input	120V-347V AC 0-10V Dimmable
Junction Box Wire Capacity	Max 5 No 12 AWG or 8 No 14 AWG
Power Factor	0.95
Approved Location	Insulated Ceiling & Wet Locations
IP Rating	IP 54
Air Tight	Yes
Ambient Temperature	-40°F (-40°C) to +104°F (+40°C)
Projected Life	70% Light Output at 50,000 Hours
Certification	cULus, Energy Star (except DTW & 5CCT), T24
Warranty	10 Year Residential / 5 Year Commercial

120V TRIAC Dimmable Driver Included

Optional 120V - 347V Driver

0-10V Dimmable



[model # LLL-LD1025T](#)

ACCESSORIES

Sold Separately

Low Voltage Extension Cables. Max 40 ft Allowed



[6ft - model # EXC6](#)

[20ft - model # EXC20](#)



[26" Flat Rough-In Plates model # RIP5](#)



[Flanged Plate with Hanger Bars model # FRP5](#)

### COMPLIANCE



**Type IC  
 Air-Tight  
 Wet Location**

USA Patent # US 10,344,952 B2 | Canada Patent # 2,967,954

Lotus LED Lights USA

250 H Street # 301, Blaine WA 98230 tel 360-200-5500  
 Hainesport NJ, Naples FL, Vancouver WA

[www.LotusLEDLights.com](http://www.LotusLEDLights.com)

mailing addresses  
 warehouses

Lotus LED Lights CANADA

702 Chester Rd, Delta BC V3M 6J1 tel 604-538-3090  
 Delta BC & Mississauga ON