



OD-5-1000L-5CCT

Wall Sconce LED Light 5CCT 15W

Project: _____

Location: _____

Model: _____ Qty: _____

Notes: _____

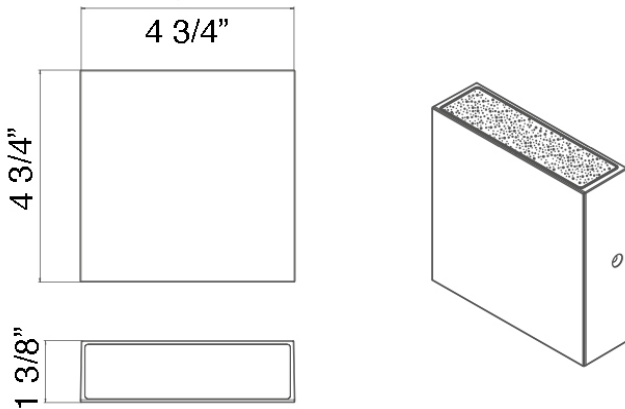
DESCRIPTION

Wall Sconce Upward & Downward LED Light 5CCT
Low Profile with elegant and modern design

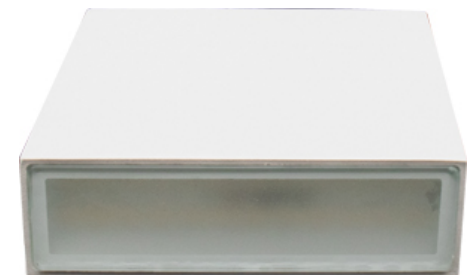
FEATURES & BENEFITS

- Wet Location Approved - Suitable For Indoor & Outdoor Installations
- 5CCT user selectable 2700K to 5000K
- CRI 90+ for True Color Rendering
- Durable Aluminum Alloy Body with Glass Diffuser
- Triac Dimmable

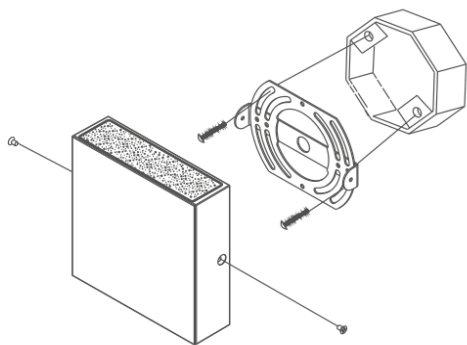
DIMENSIONS 4 3/4" Square Thickness 1 3/8"



| SPECIFICATION | |
|----------------------------|--|
| Applications | Residential, Commercial, Hospitality, Indoor & Outdoor |
| Power | 15 W |
| Color Temperature (K) | 2700 - 3000 - 3500 - 4000 - 5000 |
| Light Output each way (lm) | 570 - 600 - 630 - 640 - 610 |
| Light Output total (lm) | 1140 - 1200 - 1260 - 1280 - 1220 |
| Halogen Equivalent | 100 W |
| Beam Angle | 85° |
| CRI | 90 + |
| Driver Input | 120V-277V AC 50/60 Hz |
| Dimming | TRIAC Dimmers 10% - 100% |
| Approved Location | Wet Locations |
| Ambient Temperature | -4°F (-20°C) to +104°F (+40°C) |
| Projected Life | 70% Light Output at 50,000 Hours |
| Certification | cETLus |
| Warranty | 5 Year |



INSTALLATION



ORDERING GUIDE

| | CCT | Trim |
|---------------------------|------|-------|
| OD-5-1000L-5CCT-WH | 5CCT | White |
| OD-5-1000L-5CCT-BK | 5CCT | Black |

5CCT is 2700-3000-3500-4000-5000K user selectable
Other Finishes Available by Custom Order



Lotus LED Lights USA

250 H Street # 301, Blaine WA 98230 tel 360-200-5500
Hainesport NJ, Naples FL, Vancouver WA

www.LotusLEDLights.com

mailing addresses
warehouses

Lotus LED Lights CANADA

702 Chester Rd, Delta BC V3M 6J1 tel 604-538-3090
Delta BC, Mississauga ON