



FSPD 036



FSPD060, FSPD100, FSPD140

FSPD SERIES FOR EXTERNAL APPLICATIONS

# BoltShield™ Surge Protection Devices

[usa.siemens.com/surge](http://usa.siemens.com/surge)

**SIEMENS**

Material ID	Surge Current Rating
FSPD036	36kA

### General Specifications

UL Type Designation	Type 1
UL 1449 I-nominal Rating	10kA
UL 1449 Short Circuit Current Rating	200kA

### Design Specifications

Custom MOV design for high energy handling in Category C locations
Thermally protected MOVs
External parallel connected for mounting next to electrical gear
Reduced mode of protection (L1-N, L2-N)

### Diagnostic and Status Monitoring Specifications

LED Protection Status Monitoring (Single LED Standard)
--

### Enclosure

Polycarbonate 4.25" x 2.41" x 2.75"
Lid ultrasonically sealed
NEMA 4X
1/2 inch NPT Side Mount Nipple

### Filtering

NO

### Physical Specifications

Humidity Range	0-95% non-condensing
Operating Frequency	50-60Hz
Operating Temperature	-35°C to +85°C
Typical Connection	18" #12 AWG (pre-wired pig tails)

### Standards Compliance and Certifications

UL 1449 5th Edition: 2021, cULus, ANSI/IEEE C62.41.1-2002, C62.41.2-2002, C62.45-2002, NEC Article 285

ISO 9001:2014 Quality Management System, ISO 17025:2007 Laboratory Certification (UL DAP Program) Compliance with RoHS, REACH & California Prop 65.

100% Quality Tested prior to shipping

Material ID	Surge Current Rating
FSPD060 *Coming Soon*	60kA
FSPD100 *Coming Soon*	100kA
FSPD140	140kA

### General Specifications

UL Type Designation	Type 2
UL 1449 I-nominal Rating	20kA
UL 1449 Short Circuit Current Rating	200kA

### Design Specifications

Custom MOV design for high energy handling in Category C locations
Thermally protected MOVs
External parallel connected for mounting next to electrical gear
All modes of protection (L-N, L-G, N-G)

### Diagnostic and Status Monitoring Specifications

Phase Loss Monitoring (Standard)
Audible Alarm (Standard)
Form C Dry Contact, 240V, 2A (Standard)
3 GREEN LEDs – one for each Line disconnect
1 RED LED – flashes if fault condition:
GRM (Ground Reference Monitoring), N-G voltage > 20V detected.

### Enclosure

Polycarbonate 7.95" x 3.06" x 2.75"
Lid screwed and gasketed
NEMA 4X
3/4 inch NPT Side Mount Nipple

### Filtering

Standard (UL 1283)

### Physical Specifications

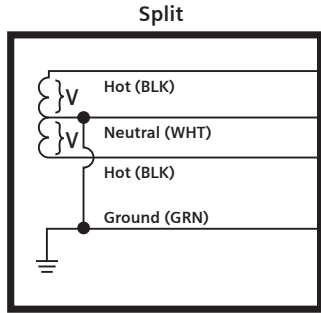
Humidity Range	0-95% non-condensing
Operating Frequency	50-60Hz
Operating Temperature	-40°C to +85°C
Typical Connection	18" #12 AWG (pre-wired pig tails)

# FSPD

FSPD036	Voltage Code	System Voltage	L-N	L-G	L-L	N-G	MCOV
	A	120/240V, 1Ø, 3W	700	-	1200	-	150

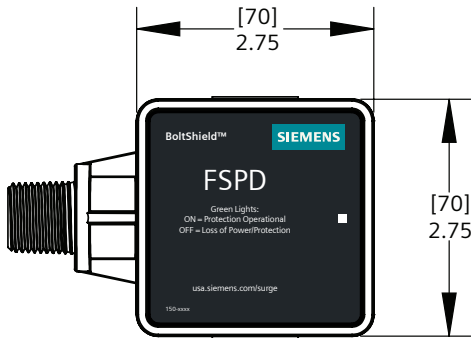
FSPD060, FSPD100, FSPD140	Voltage Code	System Voltage	L-N	L-G	L-L	N-G	MCOV
	A	120/240V, 1Ø, 3W	700	700	1200	700	150

## FSPD036 Wiring Configurations



2 Hots, 1 Neu, 1 Grnd

## FSPD036 Product Diagram [in millimeters] and inches



### Size and Mechanical Specifications

Dimensions	4.25" x 2.41" x 2.75"
Weight	0.46 lbs.
Enclosure Type	Polycarbonate NEMA 4X
Installation Type	Indoor/Outdoor
Mounting Method	Flush/Flange/Through-hole

