

# P14BR

## QUICK SHIP ORDERING GUIDE<sup>1</sup>



PART NUMBER	DLC UNIQUE ID	WATTS [W]	VOLTS [VAC]	COLOR TEMP. [K] <sup>2</sup>	LUMEN OUTPUT [LM] <sup>3</sup>	EFFICIENCY [LM/W]	CRI	LIFE L70 [HRS] <sup>4</sup>	DIMMING [YES/NO]	POWER FACTOR	THD [%]	CASE QTY [MASTER]
<b>DLC Standard</b>												
<b>1'x4'</b>												
P14BR-1LA1-32/40K	PL05999G2BNV	40	120-347	4 000	4 500	113	≥82	50 000	Yes	0.9	<25	2
P14BR-1LPS40-32/3C <sup>5</sup>	S-PJC3LN	20/30/40	120-347	3 500/4 000/5 000	2 500/3 600/4 500	110	≥82	50 000	Yes	0.9	<25	2
<b>2'x2'</b>												
P14BR-2LA1-32/40K	PLNMHEVOAZBE	40	120-347	4 000	4 500	113	≥82	50 000	Yes	0.9	<25	2
P14BR-2LPS-32/3C	PLJC5L895FRG	20/30/40	120-347	3 500/4 000/5 000	2 500/3 600/4 500	110	≥82	50 000	Yes	0.9	<25	2
<b>2'x4'</b>												
P14BR-4LA1-32/40K	PLSNZH08KCFT	50	120-347	4 000	5 600	112	≥82	50 000	Yes	0.9	<25	2
P14BR-4LPS50-32/3C <sup>5</sup>	S-R5SYE7	30/40/50	120-347	3 500/4 000/5 000	3 700/4 700/5 600	110	82+	50 000	Yes	0.9	<25	2
<b>DLC Premium</b>												
<b>1'x4'</b>												
P14BR-1LP40P-32/3C <sup>5</sup>	PIZ8Z7SB	20/30/40	120-347	3 500/4 000/5 000	2 750/4 000/5 100	127	82+	50 000	Yes	0.9	<25	2
<b>2'x2'</b>												
P14BR-2LP40P-32/3C <sup>5</sup>	PDANM57P	20/30/40	120-347	3 500/4 000/5 000	2 650/4 000/5 100	127	82+	50 000	Yes	0.9	<25	2
<b>2'x4'</b>												
P14BR-4LP50P-32/3C <sup>5</sup>	PMG0U2RK	30/40/50	120-347	3 500/4 000/5 000	4 100/5 400/6 600	132	82+	50 000	Yes	0.9	<25	2

<sup>1</sup> QUICK SHIP: Product availability is subject to change without notice. Please contact your AimLite customer service representative to confirm inventory levels at time of order.

<sup>2</sup> Typical color temperature range: +/- 5 %.

<sup>3</sup> Lumen values are derived from photometric testing. Initial lumens range: +/- 10 %.

<sup>4</sup> Life hours are derived from IESNA LM-80-08 testing report and projected per IESNA TM-21-11 extrapolations.

<sup>5</sup> Standard packaging is 2 panels per master case without individual box

## LUMEN SPECIFICATION TABLE

PART NUMBER	WATTS [W]	3 500 K		4 000 K		5 000 K	
		LUMEN OUTPUT [LM]	EFFICIENCY [LM/W]	LUMEN OUTPUT [LM]	EFFICIENCY [LM/W]	LUMEN OUTPUT [LM]	EFFICIENCY [LM/W]
<b>DLC Standard</b>							
P14BR-1LPS40-32/3C	20	2 400	120	2 500	125	2 500	125
	30	3 500	117	3 600	120	3 600	120
	40	4 400	110	4 500	113	4 500	113
P14BR-2LPS-32/3C	20	2 400	120	2 500	125	2 500	125
	30	3 500	117	3 600	120	3 600	120
	40	4 400	110	4 500	113	4 500	113
P14BR-4LPS50-32/3C	30	3 600	120	3 700	123	3 700	123
	40	4 600	115	4 700	118	4 700	118
	50	5 500	110	5 600	112	5 600	112
<b>DLC Premium</b>							
P14BR-1LP40P-32/3C	20	2 650	133	2 750	138	2 750	138
	30	3 900	130	4 000	133	4 000	133
	40	5 000	125	5 100	128	5 100	128
P14BR-2LP40P-32/3C	20	2 650	133	2 750	138	2 750	138
	30	3 900	130	4 000	133	4 000	133
	40	5 000	125	5 100	128	5 100	128
P14BR-4LP50P-32/3C	30	4 000	133	4 100	137	4 100	137
	40	5 300	130	5 400	135	5 400	135
	50	6 500	130	6 600	132	6 600	132

### ■ DEFAULT PROGRAMMING

P14BR-1LPS40-32/3C : 40 W / 4 000 K

P14BR-2LPS-32/3C : 40 W / 4 000 K

P14BR-4LPS50-32/3C : 50 W / 4 000 K

P14BR-1LP40P-32/3C : 40 W / 4 000 K

P14BR-2LP40P-32/3C : 40 W / 4 000 K

P14BR-4LP50P-32/3C : 50 W / 4 000 K

# P14BR

## ACCESSORIES (ORDER SEPARATELY)

Order code	TYPE	COMPATIBLE WITH
PF-DWK-1X4-A	Drywall Kit	1X4
PF-DWK-2X2-A	Drywall Kit	2X2
PF-DWK-2X4-A	Drywall Kit	2X4
CAS973-1	Surface Mount Kit	1X4
CAS973-2	Surface Mount Kit	2X2
CAS973-3	Surface Mount Kit	2X4
KIT-SUS-CH	Suspension Kit	1X4, 2X2, 2X4
JB024-BP	Junction Box Gen. 1	P14BR-1LA1-32/40K, P14BR-2LA1-30/40K, P14BR-4LA1-32/40K, P14BR-2LPS-32/3C
JB027-BP	Junction Box Gen. 2	P14BR-1LPS40-32/3C, P14BR-4LPS50-32/3C, P14BR-1LP40P-32/3C, P14BR-2LP40P-32/3C, P14BR-4LP50P-32/3C

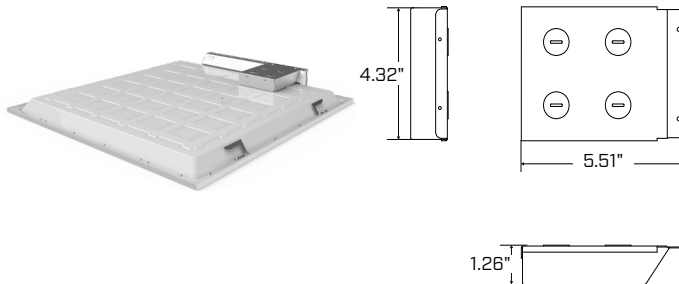
## COMPATIBLE DIMMERS

BRAND	MODEL NUMBER
Lutron	DVSTV, DVSTV-453PH-WH, DVTV, DVSTV, NFTV, NTSTV-DV
Leviton	IP710-DLZ, IP710-LFZ

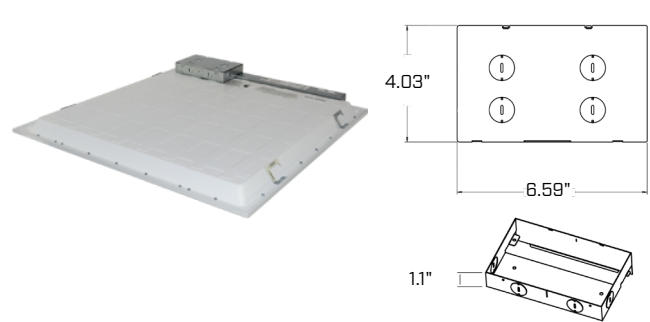
Dimming range: 10%-100%

<sup>1</sup> This table shows dimmers that have been tested and have demonstrated proper operation under normal conditions. Each installation being unique, various factors such as load, common neutrals or other electrical products on the circuit can, in certain instances, cause variance in system performance. Read and comply to the dimmer installation instructions. Consult dimming system manufacturer for additional support in operation. Some dimmers may require more than one product for stable operation. AimLite recommends to use dimmers designed to work with LED products. Older dimmers designed for incandescent products may cause erratic operation.

JUNCTION BOX GEN. 1



JUNCTION BOX GEN. 2



## DIMENSIONS AND WEIGHTS

	1x4	2x2	2x4
Net weight (lbs)	4.6	4.4	8.7

