



Molded-plastic enclosure for surface mounting with EMERGENCY-STOP rotary operating mechanism 54 mm, with metric cable gland No UL/CSA approval

product category	Enclosure
product designation	Molded-plastic enclosure for surface mounting
design of the product	Assembly

General technical data

product function EMERGENCY OFF function	Yes
protection class IP of the enclosure	IP55
Substance Prohibittance (Date)	07/01/2006
material of the enclosure	plastic

Installation/ mounting/ dimensions

height	155 mm
width	85 mm
depth	126 mm

Approvals Certificates

General Product Approval	Test Certificates	Marine / Shipping
--------------------------	-------------------	-------------------



[Confirmation](#)



[Special Test Certificate](#)



Marine / Shipping	other	Railway	Environment
-------------------	-------	---------	-------------



[Miscellaneous](#)

[Confirmation](#)



[Special Test Certificate](#)

[Environmental Confirmations](#)

Further information

Information on the packaging

<https://support.industry.siemens.com/cs/ww/en/view/109813875>

Information- and Downloadcenter (Catalogs, Brochures,...)

<https://www.siemens.com/ic10>

Industry Mall (Online ordering system)

<https://mall.industry.siemens.com/mall/en/en/Catalog/product?mlfb=3RV1923-1FA00>

Cax online generator

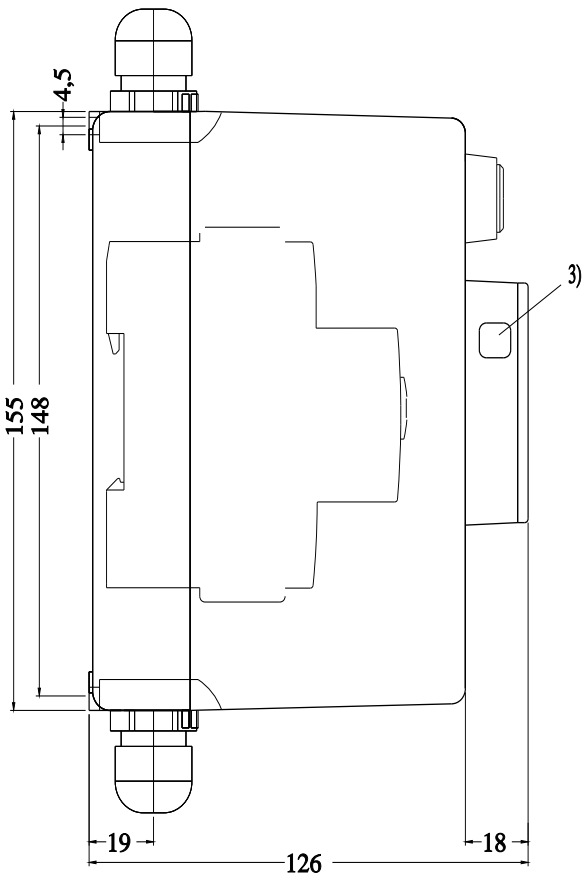
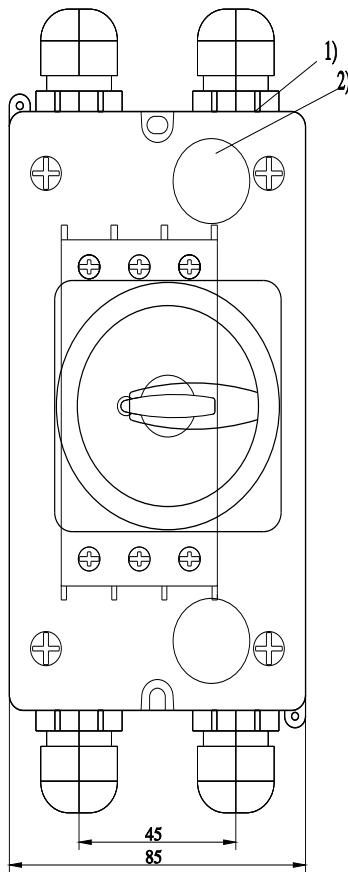
<http://support.automation.siemens.com/WW/CAXorder/default.aspx?lang=en&mlfb=3RV1923-1FA00>

Service&Support (Manuals, Certificates, Characteristics, FAQs,...)

<https://support.industry.siemens.com/cs/ww/en/ps/3RV1923-1FA00>

Image database (product images, 2D dimension drawings, 3D models, device circuit diagrams, EPLAN macros, ...)

http://www.automation.siemens.com/bilddb/cax_de.aspx?mlfb=3RV1923-1FA00&lang=en



- 1) Ausbrechoeffnung fuer Verschraubung M25
- 2) Ausbrechoeffnung fuer rueckseitige Leitungseinfuehrung
- 3) Oeffnung fuer Vorhaenges Schloss mit Buegeldurchmesser max. 8 mm

last modified:

1/10/2024 