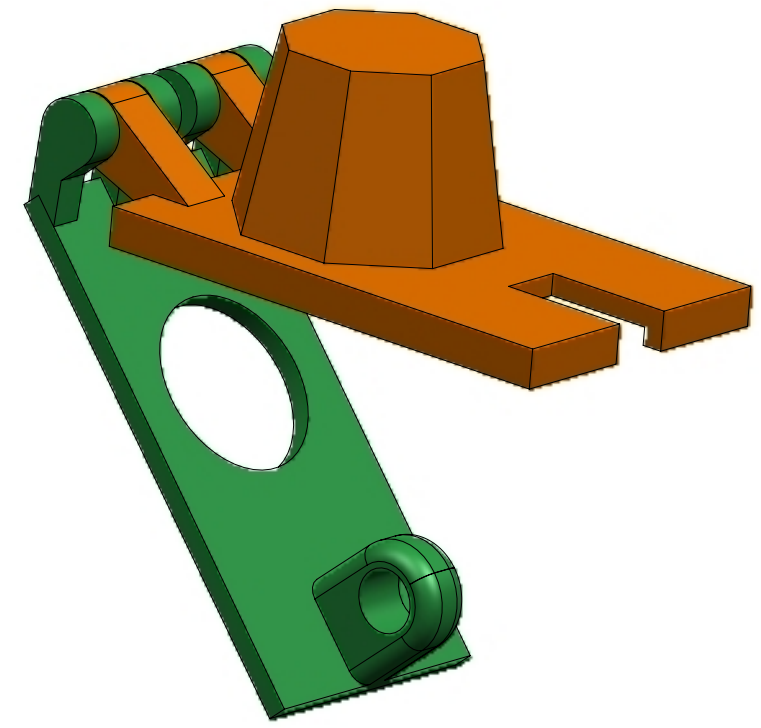
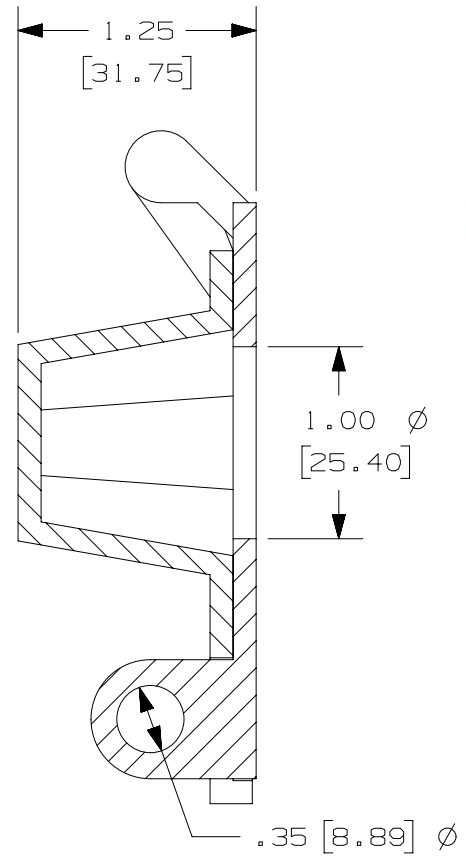
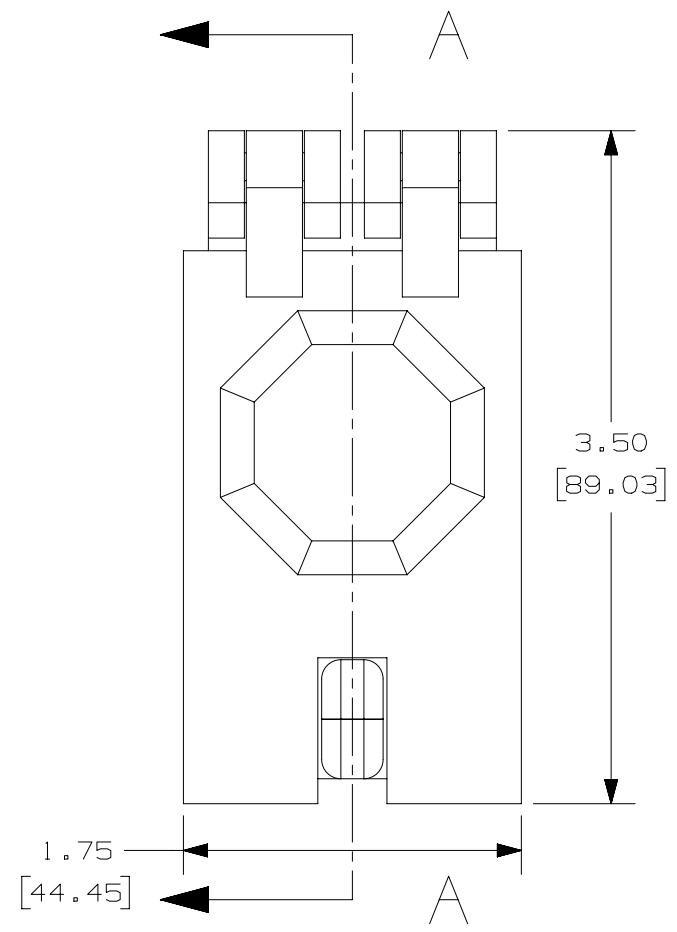


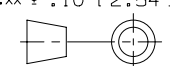
2

1

THIS COPY IS PROVIDED ON A RESTRICTED BASIS AND IS NOT TO BE USED IN ANY WAY DETRIMENTAL TO THE INTERESTS OF PANDUIT CORP.



0	10/11/16	RVU	SEWH	JHAC	DRAWING RELEASE.		GAECN03617
REV	DATE	BY	CHK	APR	DESCRIPTION		ECN

TITLE		PSL-1001 TOGGLE-SWITCH COVER LOCKOUT CUSTOMER DRAWING	
ITEM REVISION NAME		100281BG/00	
DATASET FILE NAME		100281BG_DC_C11544/00A	
UNLESS OTHERWISE SPECIFIED, DIMENSIONAL TOLERANCES ARE: IN (mm)		MATERIAL:	
.x ± .2 [5.08] .xxx ± .010 [0.254]		CLEAR POLYCARBONATE	
.xx ± .10 [2.54] ANGLES ±		DRAWING NUMBER:	
 THIRD ANGLE PROJECTION		C11544	
DRAWN BY	DATE	CHK	SCALE
RVU	9/8/16	JHAC	NTS
SHT 1 OF 1		SIZE	
A		A	

2

1