




bus connector extended front mounted; 3 units accessory for: 3VA51

Model	
product brand name	SETRON
accessories	Bus connector extended
Connections according IEC	
thickness / of the busbar	1
• minimum	
• maximum	
thickness / of the busbar / maximum	8 mm
width / of the busbar / maximum	22 mm
Connections according UL	
width / of the busbar / maximum	0.9 in
thickness / of the busbar / minimum	0.04 in
thickness / of the busbar / maximum	0.3 in
Certificates	
General Product Approval	EMV



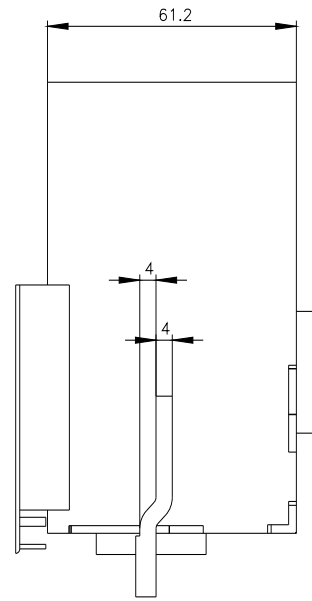
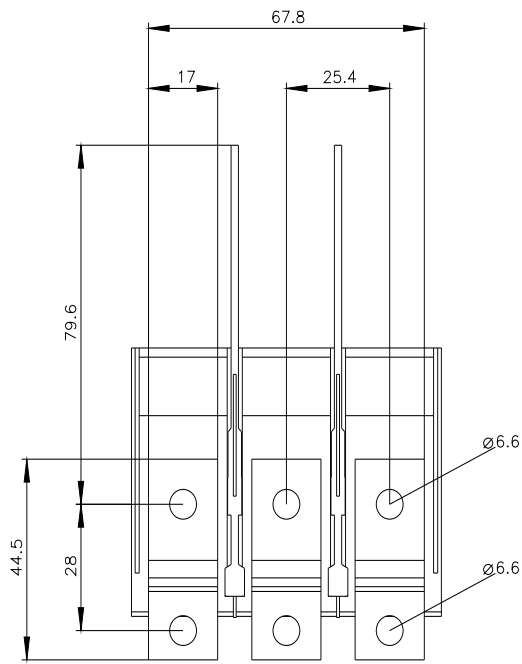
[Miscellaneous](#)



Marine / Shipping	other	Environment			
 LRS	Miscellaneous	Confirmation	Miscellaneous	Environmental Con- firmations	Environmental Con- firmations

Further information

Information on the packaging
<https://support.industry.siemens.com/cs/ww/en/view/109813875>
 Information- and Downloadcenter (Catalogs, Brochures,...)
<http://www.siemens.com/lowvoltage/catalogs>
 Industry Mall (Online ordering system)
<https://mall.industry.siemens.com/mall/en/en/Catalog/product?mlfb=3VA9133-0QB00>
 Service&Support (Manuals, Certificates, Characteristics, FAQs,...)
<https://support.industry.siemens.com/cs/ww/en/ps/3VA9133-0QB00>
 Image database (product images, 2D dimension drawings, 3D models, device circuit diagrams, ...)
http://www.automation.siemens.com/bilddb/cax_en.aspx?mlfb=3VA9133-0QB00
 CAx-Online-Generator
<http://www.siemens.com/cax>
 Tender specifications
<http://www.siemens.com/specifications>



last modified:

8/19/2022 

