

Siemens
EcoTech



circuit breaker 3VA2 IEC frame 250 breaking capacity class C Icu=110kA @ 415V
3-pole, line protection ETU320, LI, In=250A overload protection Ir=100A...250A
short-circuit protection li=1.5...10 x In nut keeper kit



| Model | |
|---|-----------------------------|
| product brand name | SENTRON |
| product designation | Molded case circuit breaker |
| design of the product | Line protection |
| design of the overcurrent release | ETU320 |
| protection function of the overcurrent release | LI |
| number of poles | 3 |
| General technical data | |
| insulation voltage / rated value | 800 V |
| operating voltage / at AC / rated value | 690 V |
| power loss [W] / maximum | 48 W |
| power loss [W] / for rated value of the current / at AC / in hot operating state / per pole | 16 W |
| mechanical service life (operating cycles) / typical | 25 000 |
| electrical endurance (operating cycles) / at AC-1 / at 380/415 V | 12 000 |
| electrical endurance (operating cycles) / at AC-1 / at 690 V | 8 400 |
| product feature / for neutral conductors / upgradable/retrofitable / short-circuit and overload proof | No |
| ground-fault monitoring version | Without |
| product function | |
| • communication function | No |
| • other measurement function | No |
| Net Weight | 2.223 kg |
| Current | |
| operational current | |
| • at 40 °C | 250 A |
| • at 45 °C | 250 A |
| • at 50 °C | 250 A |
| • at 55 °C | 241 A |
| • at 60 °C | 232 A |
| • at 65 °C | 222 A |
| • at 70 °C | 213 A |
| Switching capacity according to IEC 60947 | |
| switching capacity class of the circuit breaker | C |
| maximum short-circuit current breaking capacity (Icu) | |
| • at 240 V | 150 kA |
| • at 415 V | 110 kA |
| • at 440 V | 110 kA |

| | |
|--|--|
| <ul style="list-style-type: none"> • at 500 V • at 690 V | 85 kA 3 kA |
| operating short-circuit current breaking capacity (Ics) | |
| <ul style="list-style-type: none"> • at 240 V • at 415 V • at 440 V • at 500 V • at 690 V | 150 kA 110 kA 110 kA 85 kA 3 kA |
| short-circuit current making capacity (Icm) | |
| <ul style="list-style-type: none"> • at 240 V • at 415 V • at 440 V • at 500 V • at 690 V | 330 kA 242 kA 242 kA 187 kA 4.5 kA |

Adjustable parameters

| | |
|--|------------------|
| product feature / for L-tripping / can be switched on/off | No |
| adjustable response value setting current (Ir) / of the L-trip / with I2t characteristic | |
| <ul style="list-style-type: none"> • minimum • maximum | 100 A 250 A |
| adjustable response value delay time (tr) / for L-tripping / with I2t characteristic | |
| <ul style="list-style-type: none"> • minimum • maximum | 0.5 s 15 s |
| adjustable response value setting current (Ii) / for I-tripping | |
| <ul style="list-style-type: none"> • minimum • maximum | 375 A 2 500 A |
| adjustable setting current (InN) / for N-tripping | |
| <ul style="list-style-type: none"> • minimum • maximum | 0 A 0 A |
| product function / grounding protection | No |

Mechanical Design

| | |
|---|----------------|
| product component | |
| <ul style="list-style-type: none"> • undervoltage release • voltage trigger • trip indicator | No No No |
| height [in] | 7.13 in |
| height | 181 mm |
| width [in] | 4.13 in |
| width | 105 mm |
| depth [in] | 3.39 in |
| depth | 86 mm |

Connections

| | |
|---|------------------------------|
| arrangement of electrical connectors / for main current circuit | Front terminal |
| type of electrical connection / for main current circuit | on both sides nut keeper kit |
| type of connectable conductor cross-sections / for flat-bar terminal connection / minimum | 13 x 1 mm |
| type of connectable conductor cross-sections / for flat-bar terminal connection / maximum | 25 x 8 mm |
| design of the surface / of the connections / on the top of the switch (N, 1, 3, 5) | silver |
| design of the surface / of the connections / on the bottom of the switch (N, 2, 4, 6) | tin |

Auxiliary circuit

| | |
|--|---|
| number of CO contacts / for auxiliary contacts | 0 |
|--|---|

Accessories

| | |
|--|-----|
| product extension / optional / motor drive | Yes |
|--|-----|

Environmental conditions

| | |
|--|-----------------|
| protection class IP / on the front | IP40 |
| ambient temperature | |
| <ul style="list-style-type: none"> • during operation / minimum • during operation / maximum | -25 °C 70 °C |

- during storage / minimum -40 °C
- during storage / maximum 80 °C

Environmental footprint

| | |
|--|-----------------|
| Environmental Product Declaration(EPD) | Yes |
| Global Warming Potential [CO2 eq] / total | 251 kg |
| Global Warming Potential [CO2 eq] / during manufacturing | 20.4 kg |
| Global Warming Potential [CO2 eq] / during operation | 235 kg |
| Global Warming Potential [CO2 eq] / after end of life | -3.75 kg |
| Siemens Eco Profile (SEP) | Siemens EcoTech |
| reference code / according to IEC 81346-2 | Q |

Approvals / Certificates

| | |
|--------------------------|-------|
| General Product Approval | other |
|--------------------------|-------|



EG-Konf.



[Confirmation](#)

[Miscellaneous](#)



[Miscellaneous](#)

| | | |
|-------|----------------|-------------|
| other | Dangerous Good | Environment |
|-------|----------------|-------------|

[Confirmation](#)

[Miscellaneous](#)

[Transport Information](#)

[Environmental Con-
firmations](#)

[Environmental Con-
firmations](#)

Further information

Information on the packaging

<https://support.industry.siemens.com/cs/ww/en/view/109813875>

Information- and Downloadcenter (Catalogs, Brochures,...)

<http://www.siemens.com/lowvoltage/catalogs>

Industry Mall (Online ordering system)

<https://mall.industry.siemens.com/mall/en/en/Catalog/product?mlfb=3VA2225-7HL32-0AA0>

Service&Support (Manuals, Certificates, Characteristics, FAQs,...)

<https://support.industry.siemens.com/cs/ww/en/ps/3VA2225-7HL32-0AA0>

Image database (product images, 2D dimension drawings, 3D models, device circuit diagrams, ...)

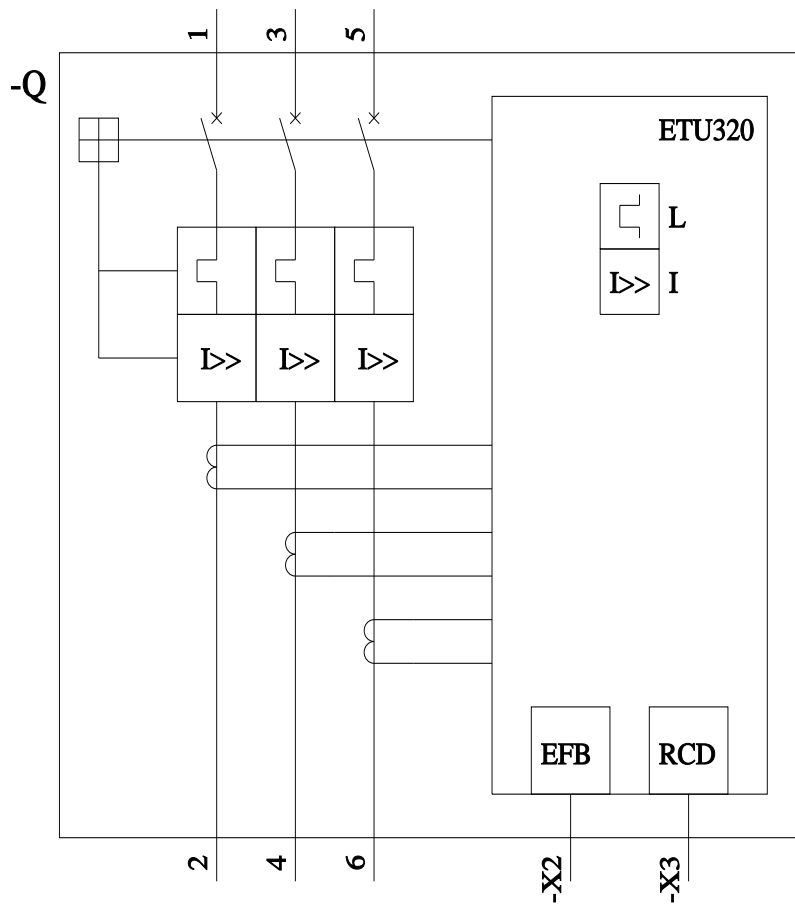
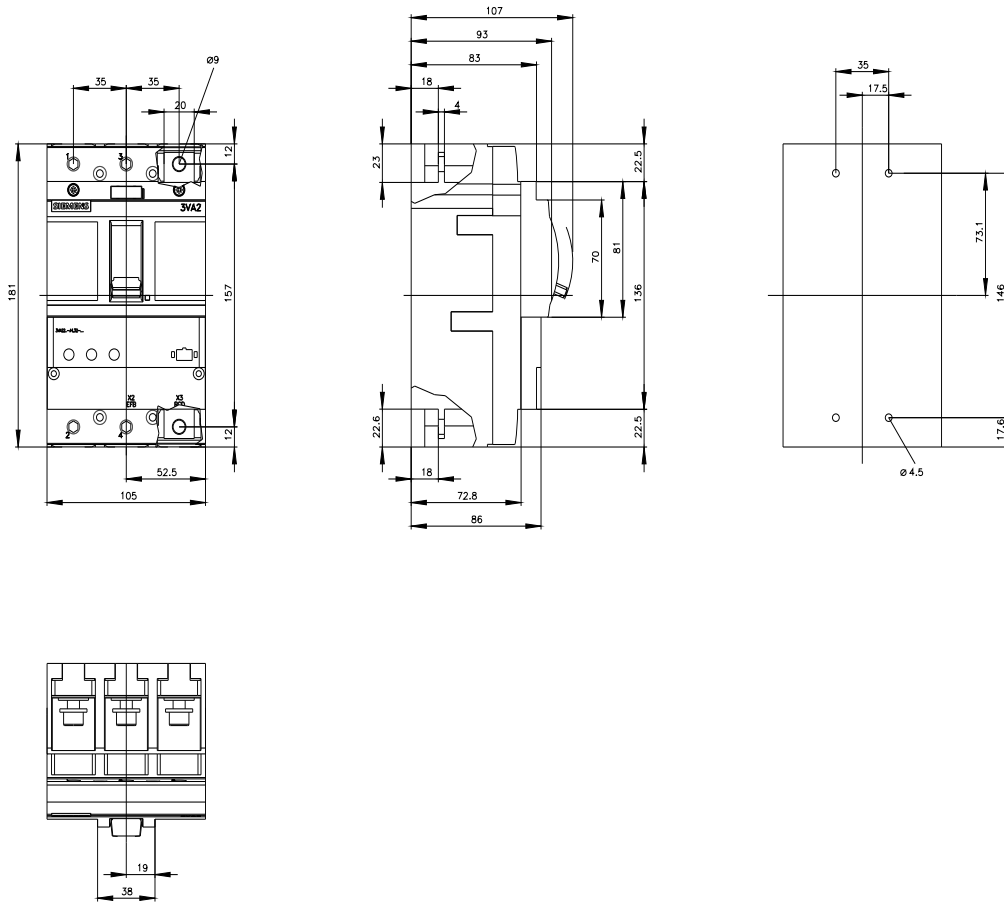
http://www.automation.siemens.com/bilddb/cax_en.aspx?mlfb=3VA2225-7HL32-0AA0

CAX-Online-Generator

<http://www.siemens.com/cax>

Tender specifications

<http://www.siemens.com/specifications>



last modified:

3/11/2024

