

side wall mounted rot. operator standard IEC IP65 accessory for: 3VA10/11



Model		
product brand name	SETRON	
accessories	Side panel rotary operating mechanism	
General technical data		
protection class IP	IP65	
Mechanical Design		
height	70 mm	
Certificates		
General Product Approval	EMV	Test Certificates



EG-Konf.



[Miscellaneous](#)

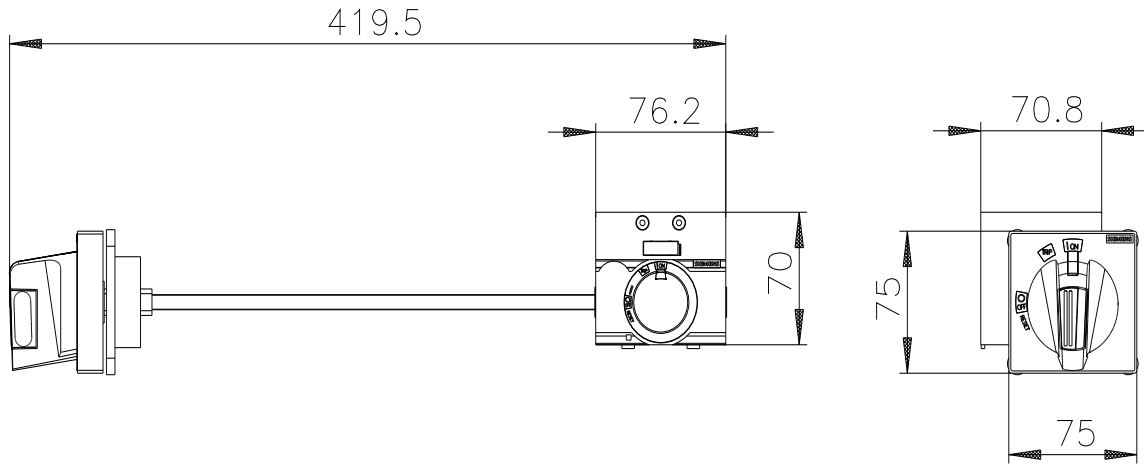


[Type Test Certificates/Test Report](#)

Marine / Shipping	other	Environment			
 LRS	<a href="#">Confirmation</a>	<a href="#">Miscellaneous</a>	<a href="#">Miscellaneous</a>	<a href="#">Environmental Confirmations</a>	

Environment
<a href="#">Environmental Confirmations</a>

Further information
Information on the packaging <a href="https://support.industry.siemens.com/cs/ww/en/view/109813875">https://support.industry.siemens.com/cs/ww/en/view/109813875</a>
Information- and Downloadcenter (Catalogs, Brochures,...) <a href="http://www.siemens.com/lowvoltage/catalogs">http://www.siemens.com/lowvoltage/catalogs</a>
Industry Mall (Online ordering system) <a href="https://mall.industry.siemens.com/mall/en/en/Catalog/product?mlfb=3VA9157-0PK11">https://mall.industry.siemens.com/mall/en/en/Catalog/product?mlfb=3VA9157-0PK11</a>
Service&Support (Manuals, Certificates, Characteristics, FAQs,...) <a href="https://support.industry.siemens.com/cs/ww/en/ps/3VA9157-0PK11">https://support.industry.siemens.com/cs/ww/en/ps/3VA9157-0PK11</a>
Image database (product images, 2D dimension drawings, 3D models, device circuit diagrams, ...) <a href="http://www.automation.siemens.com/bilddb/cax_en.aspx?mlfb=3VA9157-0PK11">http://www.automation.siemens.com/bilddb/cax_en.aspx?mlfb=3VA9157-0PK11</a>
CAX-Online-Generator <a href="http://www.siemens.com/cax">http://www.siemens.com/cax</a>



last modified:

12/20/2020 

