

box terminal TS1.5; 3 units 1/0...500 kcmil with aux. conductor voltage tap 3 units  
accessory for: 3VA53/54; 3VA63/64



Model	
product brand name	SENTRON
accessories	Box terminal
General technical data	
designation / of the terminal	TS1.5
type of electrical connection / with control wire tap	Yes
Connections according IEC	
connectable conductor cross-section	
• for copper cable / stranded / minimum	35 mm <sup>2</sup>
• for copper cable / stranded / maximum	300 mm <sup>2</sup>
stripped length	26.5 mm
tightening torque / when using copper cables	
• stranded	35 - 95 mm <sup>2</sup> : 16 Nm, 120 - 300 mm <sup>2</sup> : 28 Nm
• finely stranded	35 - 95 mm <sup>2</sup> : 16 Nm, 120 - 240 mm <sup>2</sup> : 28 Nm
Connections according UL	
permissible temperature / of connectable conductor / according to UL 486A-486B	75 °C
stripped length	1.05 in
connectable conductor cross-section	
• for copper cable / stranded / minimum	1/0 AWG
• for copper cable / stranded / maximum	500 kcmil
tightening torque / when using copper cables	
• stranded	1/0 - 4/0: 140 lb-in 250 -500 kcmil: 248 lb-in
Certificates	
General Product Approval	EMV



EG-Konf.



UL

[Miscellaneous](#)



RCM

Marine / Shipping	other	Environment		
	<a href="#">Confirmation</a>	<a href="#">Miscellaneous</a>	<a href="#">Miscellaneous</a>	<a href="#">Environmental Confirmations</a>
LRS				

Further information
Information on the packaging

<https://support.industry.siemens.com/cs/ww/en/view/109813875>

Information- and Downloadcenter (Catalogs, Brochures,...)

<http://www.siemens.com/lowvoltage/catalogs>

Industry Mall (Online ordering system)

<https://mall.industry.siemens.com/mall/en/en/Catalog/product?mlfb=3VA9473-0JH13>

Service&Support (Manuals, Certificates, Characteristics, FAQs,...)

<https://support.industry.siemens.com/cs/ww/en/ps/3VA9473-0JH13>

Image database (product images, 2D dimension drawings, 3D models, device circuit diagrams, ...)

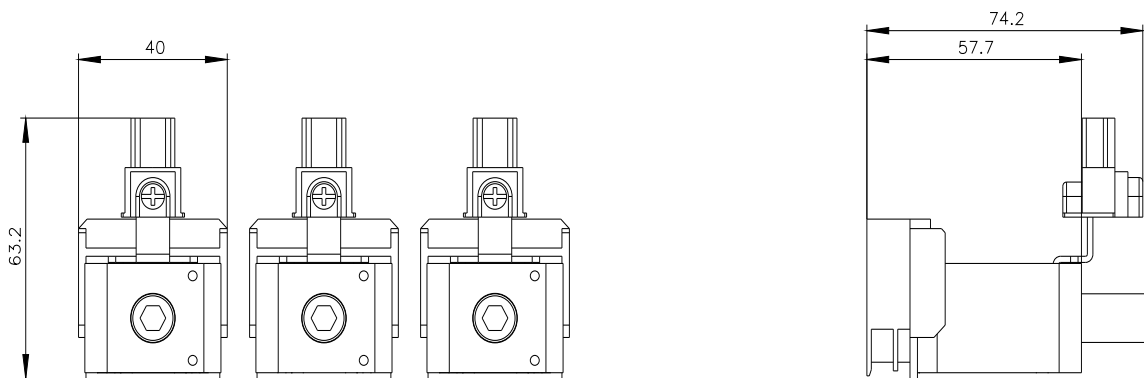
[http://www.automation.siemens.com/bilddb/cax\\_en.aspx?mlfb=3VA9473-0JH13](http://www.automation.siemens.com/bilddb/cax_en.aspx?mlfb=3VA9473-0JH13)

CAX-Online-Generator

<http://www.siemens.com/cax>

Tender specifications

<http://www.siemens.com/specifications>



last modified:

1/14/2024 

