

door mounted rotary operator standard NEMA types 1, 3R, 12, 4/4X with door interlock and door opening position accessory for: 3VA55; 3VA65/66



Model	
product brand name	SENTRON
accessories	Door-coupling rotary operating mechanisms
General technical data	
degree of protection NEMA rating	1, 3R, 12, 4, 4X
protection class IP	IP65
Certificates	
General Product Approval	EMV



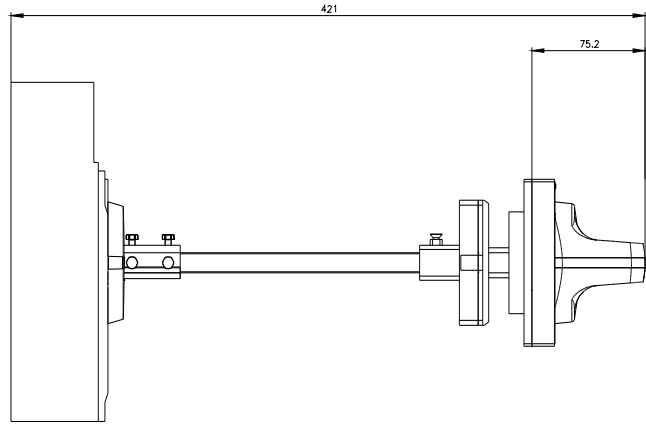
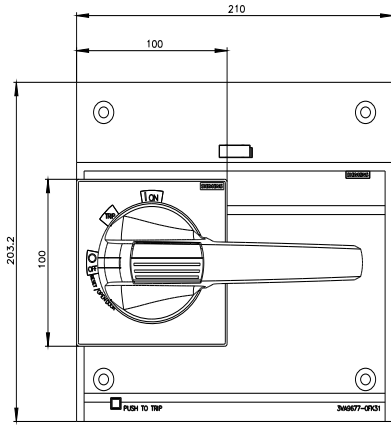
[Miscellaneous](#)



Marine / Shipping	other	Environment		
 LRS	Confirmation	Miscellaneous	Miscellaneous	Environmental Confirmations

Further information

- Information on the packaging
<https://support.industry.siemens.com/cs/ww/en/view/109813875>
- Information- and Downloadcenter (Catalogs, Brochures,...)
<http://www.siemens.com/lowvoltage/catalogs>
- Industry Mall (Online ordering system)
<https://mall.industry.siemens.com/mall/en/en/Catalog/product?mlfb=3VA9677-0FK31>
- Service&Support (Manuals, Certificates, Characteristics, FAQs,...)
<https://support.industry.siemens.com/cs/ww/en/ps/3VA9677-0FK31>
- Image database (product images, 2D dimension drawings, 3D models, device circuit diagrams, ...)
http://www.automation.siemens.com/bilddb/cax_en.aspx?mlfb=3VA9677-0FK31
- CAX-Online-Generator
<http://www.siemens.com/cax>
- Tender specifications
<http://www.siemens.com/specifications>



last modified:

4/20/2023 

