



# SmartDC™ V3

Installation Guide

# Table of Contents

<b>1</b>	<b>Specifications</b>	<b>2</b>
1.1	Technical Specifications	3
1.2	Integrated Protection	4
1.3	Standards Compliance	4
<b>2</b>	<b>Dimensions</b>	<b>5</b>
<b>3</b>	<b>Center of Gravity</b>	<b>6</b>
<b>4</b>	<b>Exterior View of the Station</b>	<b>7</b>
<b>5</b>	<b>Interior View of the Station</b>	<b>8</b>
<b>6</b>	<b>Installation</b>	<b>9</b>
6.1	Typical Installation	9
6.2	Site Preparation	10
6.3	Safety Measures	12
6.4	Installation of the Base on the Concrete Slab	13
6.5	Installation of the Station on the Base	13
6.6	Connecting the Charging Station	15
6.7	Installation of the Base Coverings	16
6.8	Cable Management System (Optional)	17
6.9	Installaling the Sign	18
<b>7</b>	<b>Putting the Station into Service</b>	<b>19</b>
7.1	Before Commissioning	19
7.2	Commissioning	19
<b>8</b>	<b>Care and Maintenance of the Charging Station</b>	<b>20</b>
<b>9</b>	<b>Copyright and Liability</b>	<b>21</b>

# 1. Specifications



Model : SmartDC™

Version : V3

Company information : Services FLO Inc.

**NOTE:** The image shows the 50 kW model with the optional Cable Management System (CMS) and credit card reader.

## 1.1 Technical Specifications

Specification	50 kW	100 kW / 50 kW+
Type of charging station	DC fast charging station	
Nominal power supply	Three-phase 480 Y/277 V	
Nominal power	54 kVA	108 kVA
Nominal current	65 A (Select overcurrent protection for the charging station in accordance with the requirements of the local jurisdiction)	130 A (Select overcurrent protection for the charging station in accordance with the requirements of the local jurisdiction)
Incoming terminals	L1, L2, L3, Neutral terminal: (1) conductor size 4 AWG - 500 MCM (screw terminal)  Grounding terminal: (1) conductor size 14 AWG - 2/0 AWG (screw terminal)	
Maximum output power	50 kW	100 kW
Output connector	SAE Combo (CCS1) and CHAdeMO	
Charging cables (maximum output current)	125 A	200 A
Charging cables (length)	6.1 m (20') Optional cable management system	3.7 m (12')
Operating temperature range	-40 °C à 50 °C (-40 °F à 122 °F)	
Storage temperature range	-40 °C à 70 °C (-40 °F à 158 °F)	
Operating altitude	< 2 000 m (< 6 562 feet)	
Enclosure	Type 3R, for exterior use	
Energy efficiency	Energy Star certified	
Efficiency	93 % or better	
Power factor	98 % or better	
Weight	Without cable management system: 255 kg (562 lb)	300 kg (661 lb)
	With cable management system: 300 kg (661 lb)	

## 1.2 Integrated Protection

The following integrated protections are included:

- Against voltage surges
- Against electrical insulation failures between DC output and ground
- Against continuity failures of the protective conductor (PE) between the charger and the vehicle

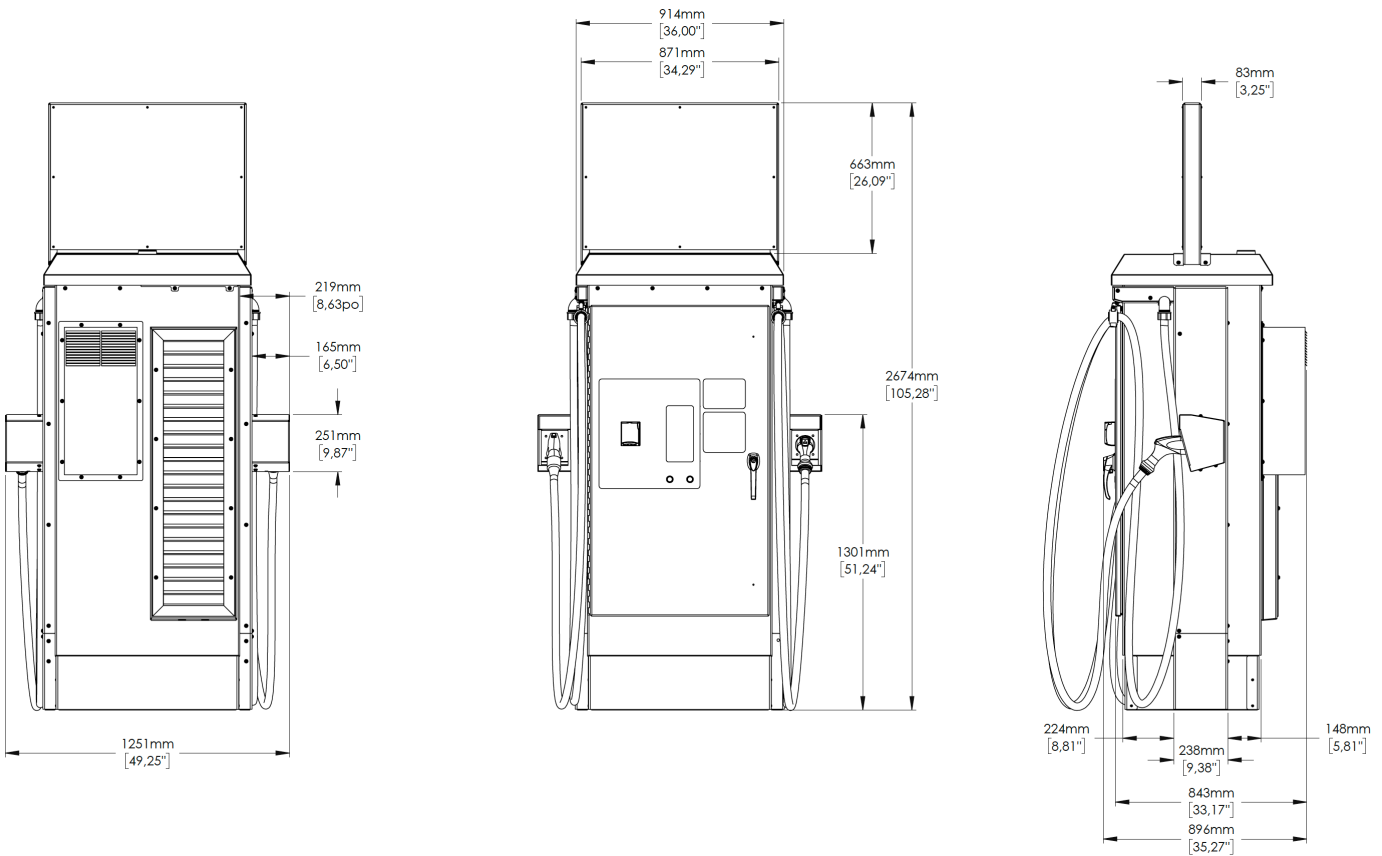
## 1.3 Standards Compliance

- UL 2202 : Standard for Safety for Electric Vehicle (EV) Charging System Equipment,
- UL 2231-1, UL 2231-2 : Standard for Safety for Personnel Protection Systems for Electric Vehicle (EV) Supply Circuits
- CSA C22.2 NO. 107.1-16 : General Use Power Supplies
- CSA C22.2 NO. 281.1-12, CSA C22.2 NO. 281.2-12 : Standard for Safety for Personnel Protection Systems for Electric Vehicle (EV) Supply Circuits
- FCC part 15 Class A
- ICES-3(A) / NMB-3(A)

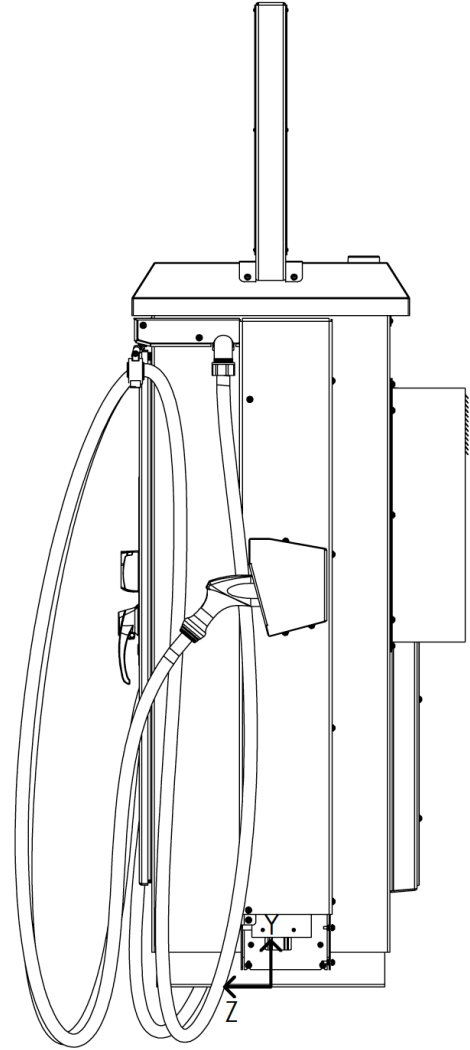
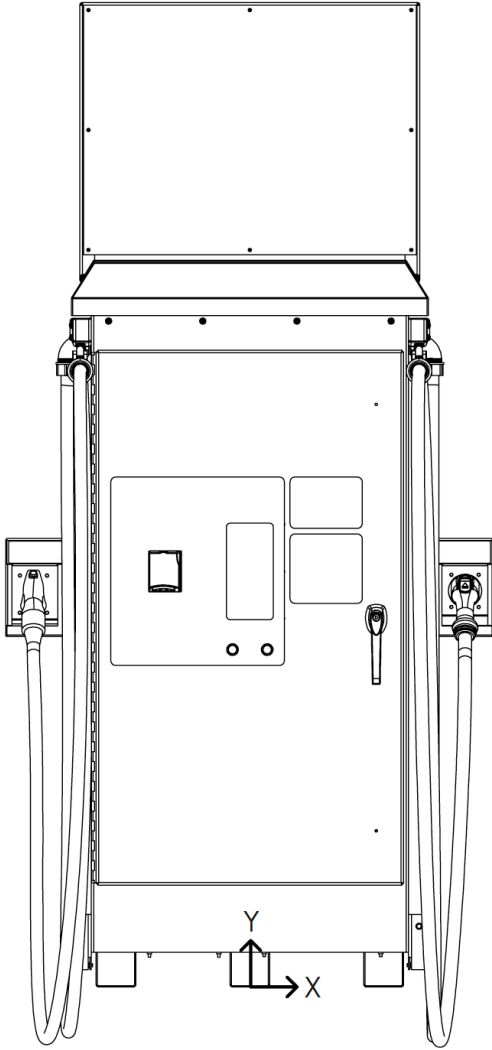
**NOTE:** Consult technical support for more information on calibration.

## 2. Dimensions

**NOTE:** The picture shows the 1,251 mm (49.25") width with the cable management system. The width without the cable management system (CMS) is 1,232 mm (48.50").



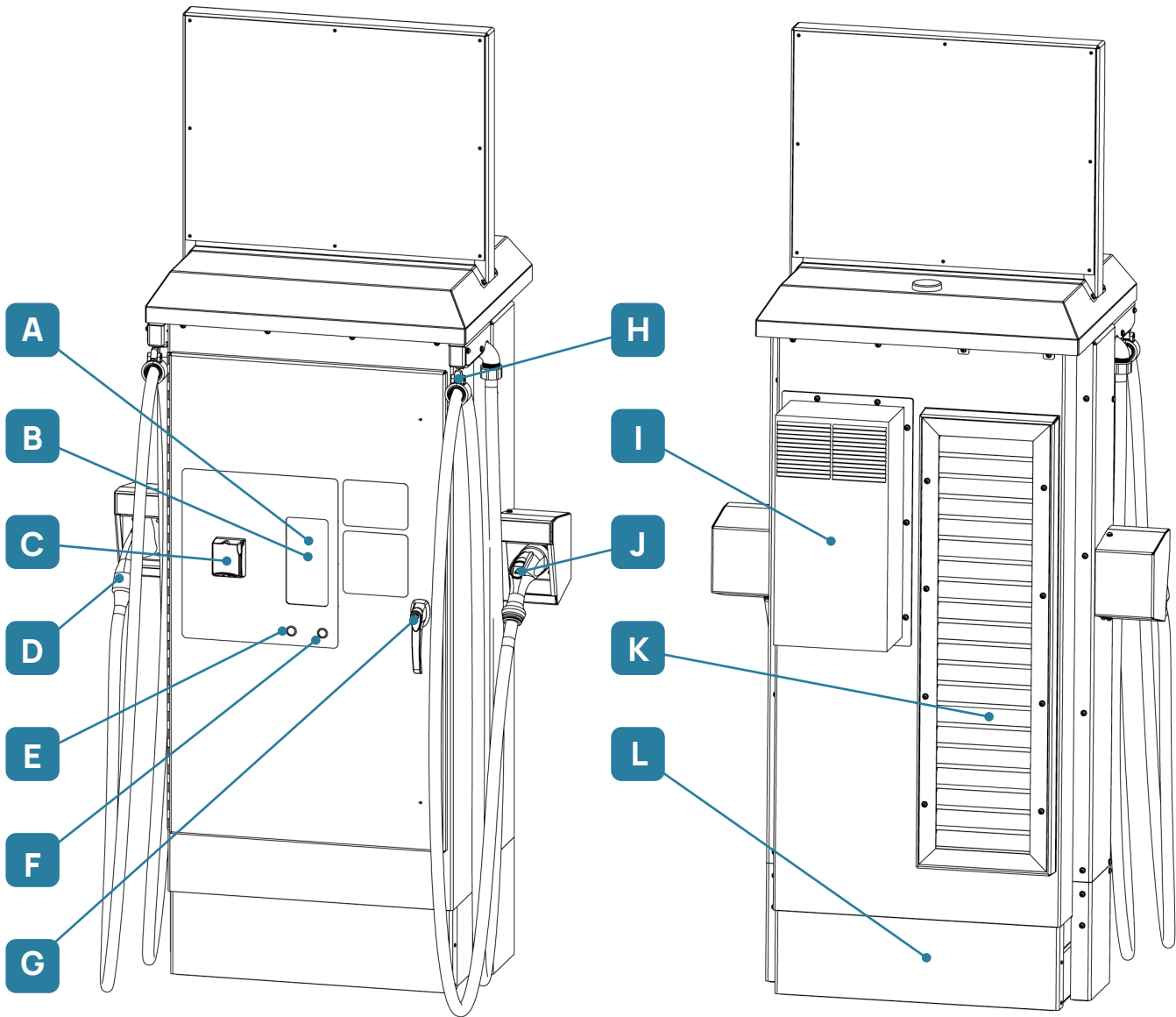
# 3. Center of Gravity



Center of gravity (approx.)	
X	25 mm (1")
Y	940 mm (37")
Z	58 mm (2")

\* Shown with optional cable management system and credit card reader

# 4. Exterior View of the Station

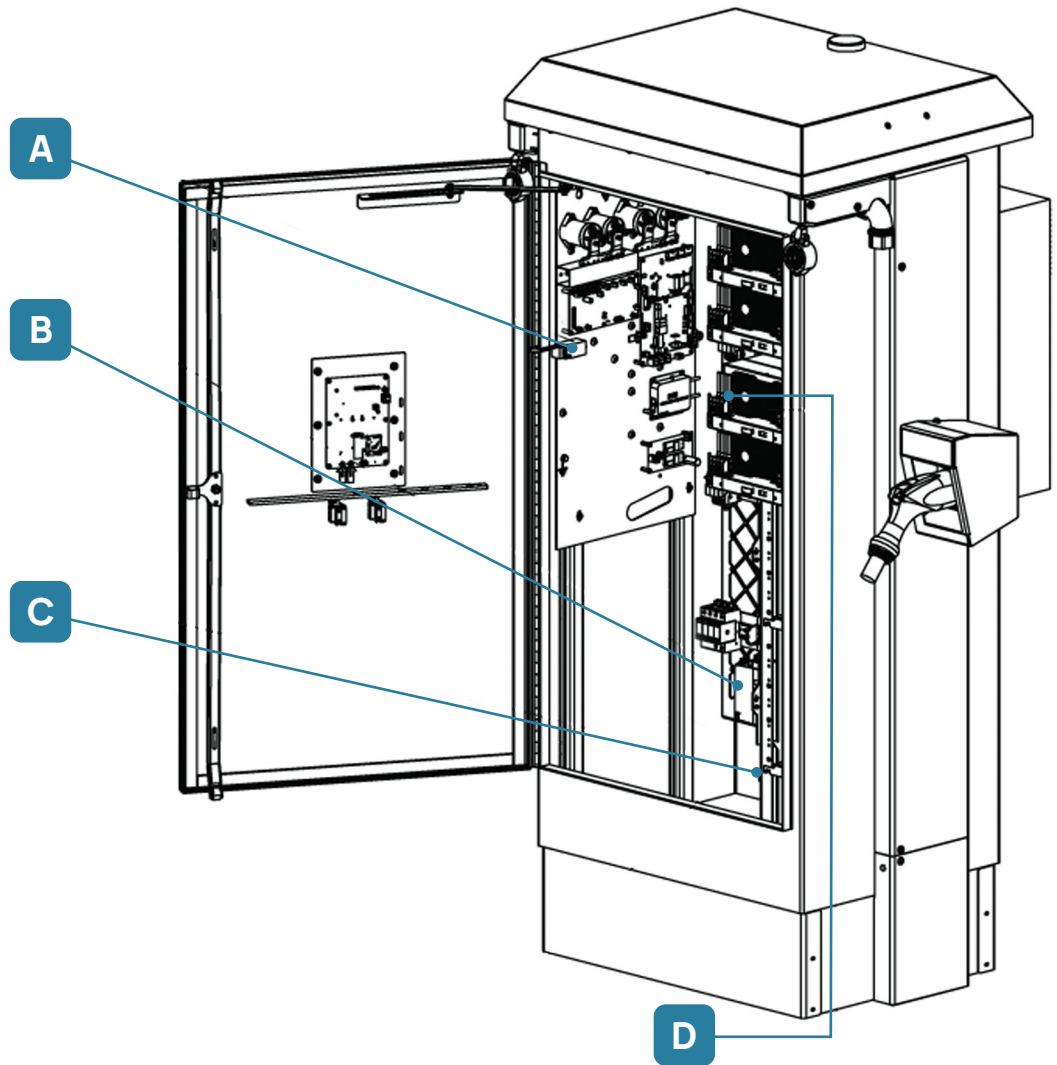


<b>A</b>	Display
<b>B</b>	RFID card reader
<b>C</b>	Credit card reader (optional)
<b>D</b>	SAE combo (CCS1) connector
<b>E</b>	Stop button
<b>F</b>	Start button

<b>G</b>	Door handle (padlockable)
<b>H</b>	Cable management system
<b>I</b>	Heat exchange unit
<b>J</b>	CHAdeMO connector
<b>K</b>	Air intake
<b>L</b>	Base cover



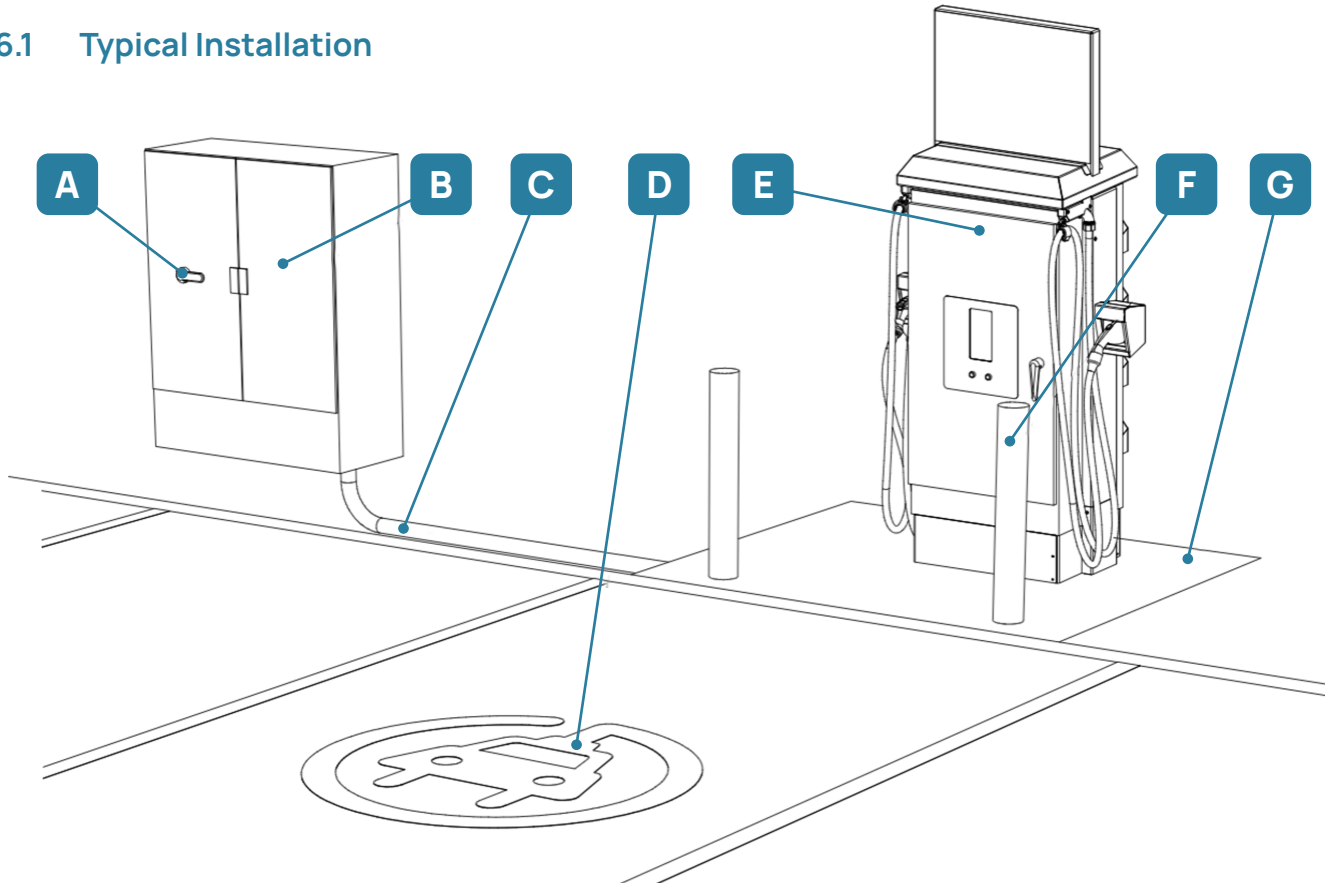
# 5. Interior View of the Station



<b>A</b>	Door switch
<b>B</b>	Three-phase power supply terminal block with neutral
<b>C</b>	Grounding terminal
<b>D</b>	AC/DC conversion modules

# 6. Installation

## 6.1 Typical Installation



- |          |  |
|----------|--|
| <b>A</b> | Master disconnect switch (must be visible from the charging station) |
| <b>B</b> | Electrical equipment cabinet (metering, protection and distribution) |
| <b>C</b> | Power cable (three-phase 480 Y/277 Volts + NEUTRAL + GROUND)         |
| <b>D</b> | Parking space for the electric vehicle                               |
| <b>E</b> | SmartDC station  |
| <b>F</b> | Protective bollard   |
| <b>G</b> | Concrete slab  |

When a step-down or step-up transformer is required to match the available supply voltage to the 480 volt rating required by the charger, the use of a Y auto-transformer, a  $\Delta/Y$  transformer, or a Y/Y transformer is acceptable.

**WARNING:** The use of “Open Delta” auto-transformers or transformers with an “Open Delta” primary is prohibited.

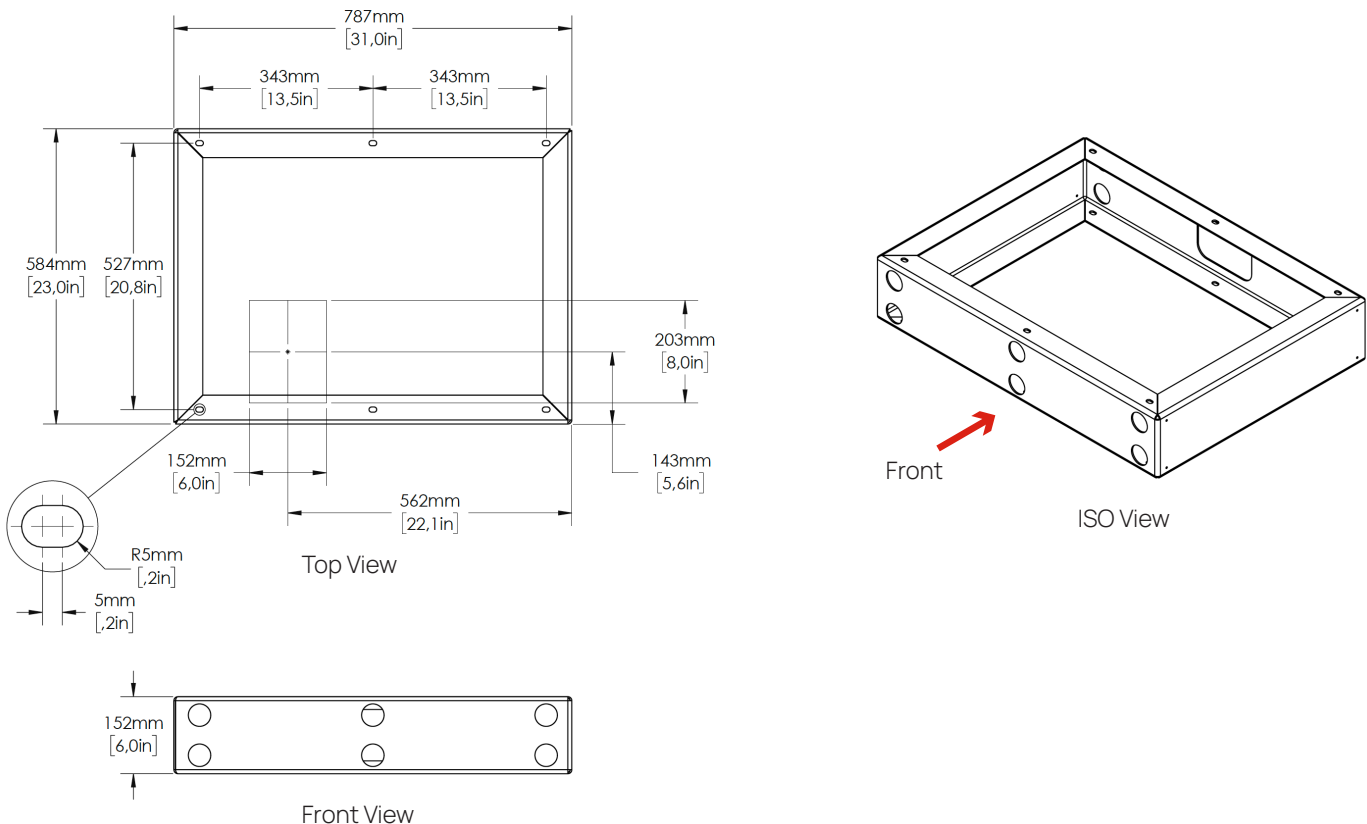
The product offers mounting configurations that support compliance with the Americans with Disabilities Act (ADA). Validate how to design the site with local authorities.

## 6.2 Site Preparation

Follow the steps below to prepare the site:

1. The station must be installed on a concrete slab.
2. The surface of the concrete slab must be large enough to allow for the installation of the station and the concrete bollards, while leaving enough space for user traffic. The figure below shows the ideal dimensions and distances to be respected.
3. The soil under the slab must be properly drained and stabilized (according to specific needs) so that it is not affected by frost.
4. An electrical conduit that complies with local regulations and is of appropriate diameter (depending on the wire size) should run the electrical cable under the perimeter of the station, preferably in the front left area under the station perimeter.
5. The anchors and conduit must be positioned to allow for the mounting of the base of the charging station.

**NOTE:** Refer to the site assessment requirements and the anchor supplier's recommendations for anchor selection.



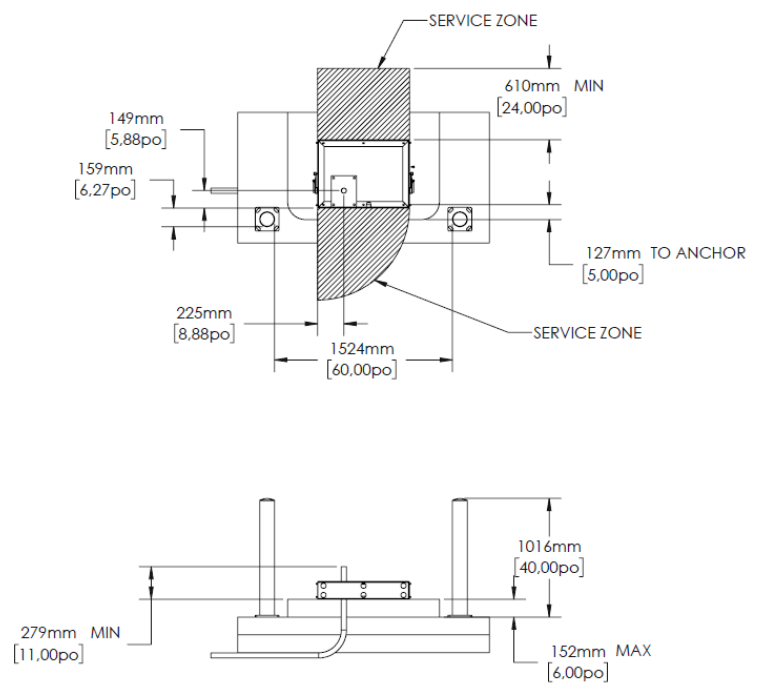
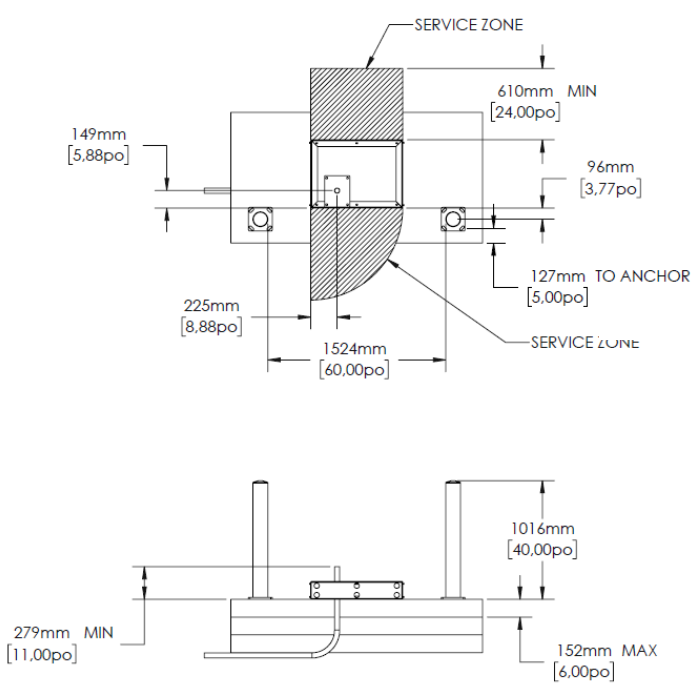
**NOTE:** The wiring conduit must be sealed to prevent moisture penetration.

**IMPORTANT:** If there is a wall behind the charging station, a minimum spacing of 24 inches (609.6 mm) must be maintained between the charging station and the wall.

**IMPORTANT:** For indoor installation, make sure that the sticker with the following warning is visible to the user:  
 "WARNING: THIS UNIT IS DESIGNED ONLY FOR CHARGING VEHICLES THAT DO NOT REQUIRE VENTILATION WHILE CHARGING"

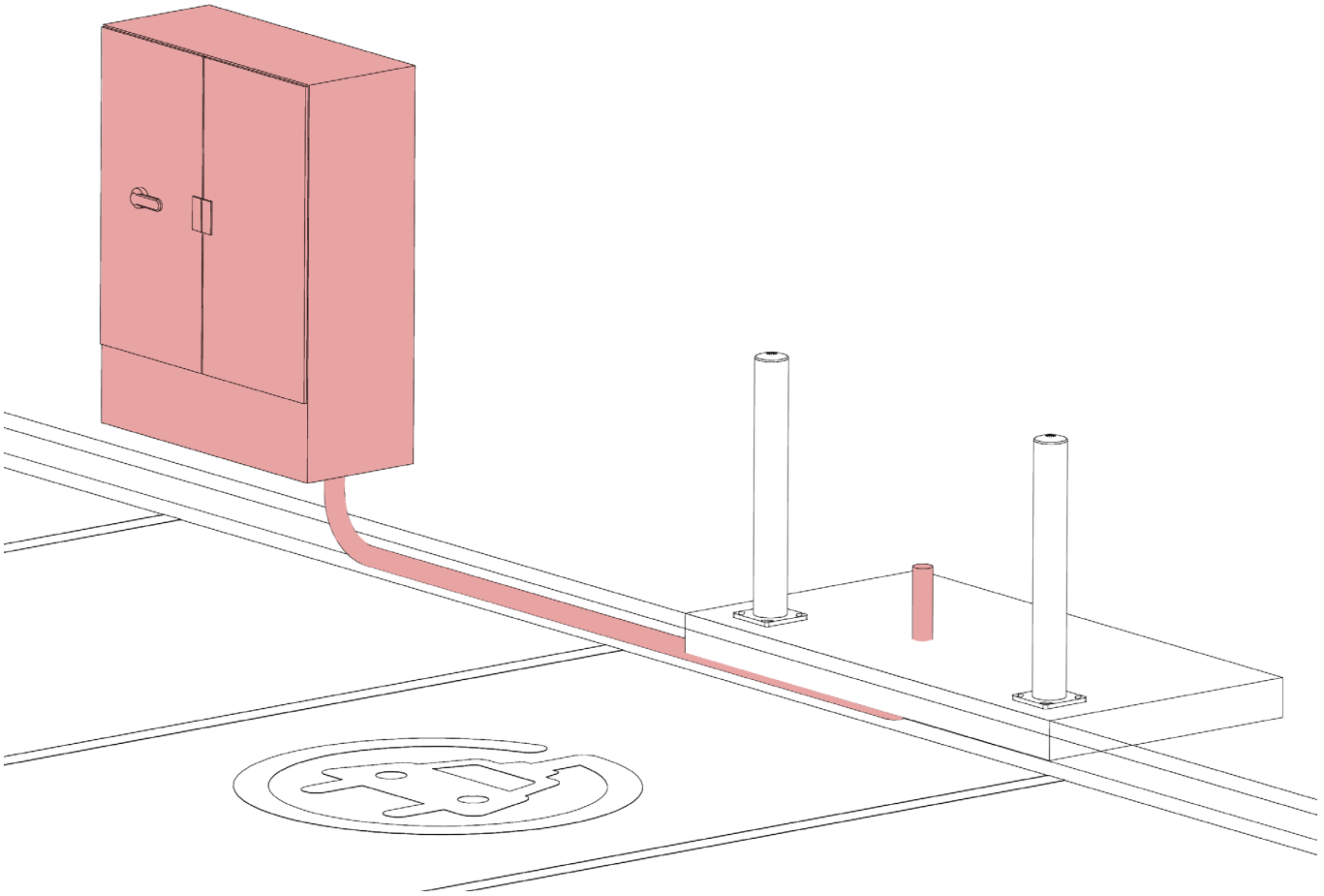
OPTION 1 : BOLLARDS ON THE CONCRETE BASE

OPTION 2 : BOLLARDS BESIDE THE CONCRETE BASE



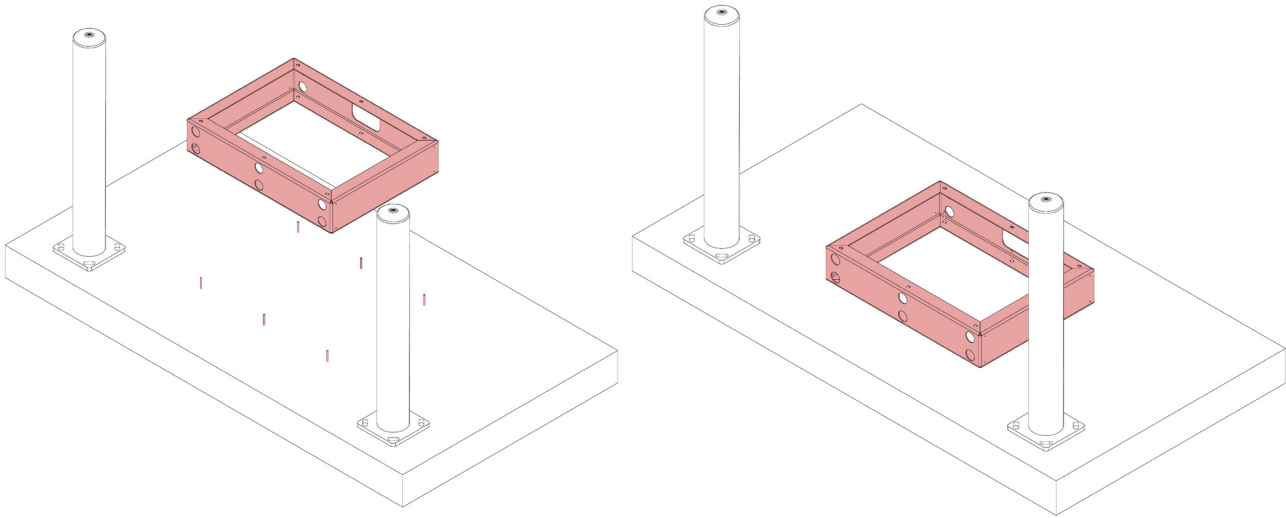
### 6.3 Safety Measures

1. Ensure that the upstream disconnect is in the open position and follows workplace electrical safety procedures, as required by the local jurisdiction.



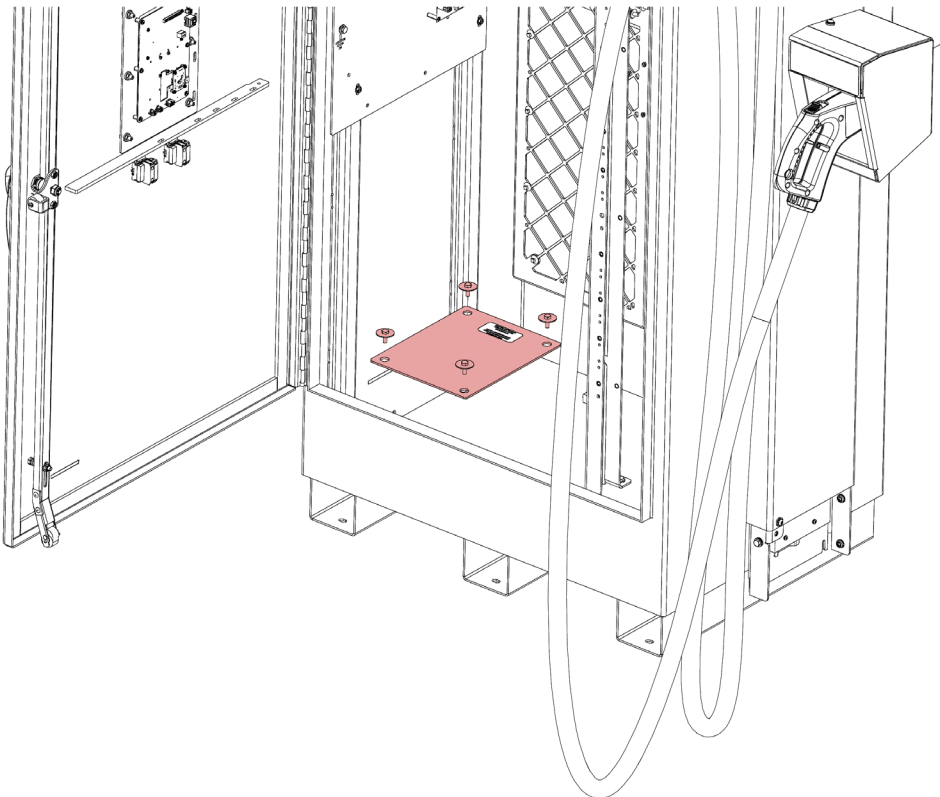
## 6.4 Installation of the Base on the Concrete Slab

Align the SmartDC base with the recessed anchors and tighten the bolts to secure the base to the ground.

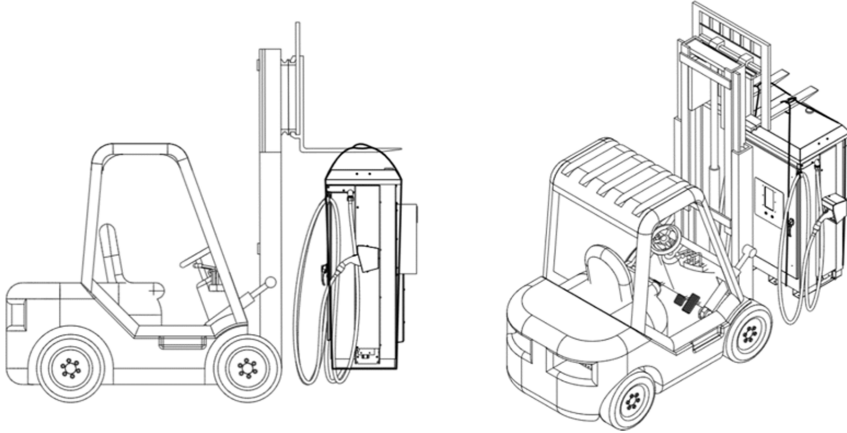


## 6.5 Installation of the Station on the Base

1. Remove the access plate to allow the power cable to pass through.



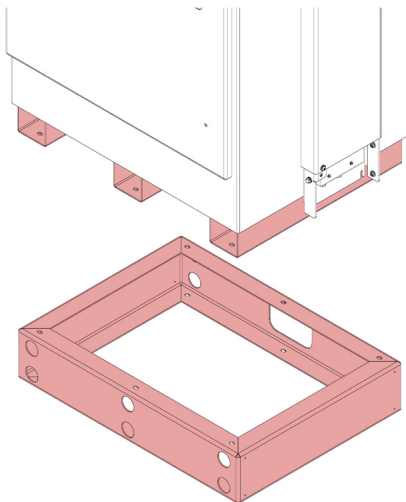
2. Lift and handle the station with 2 web slings measuring a minimum of 5.15 m (17') and having a minimum vertical working load limit of 1,406 kg (3,100 lbs).



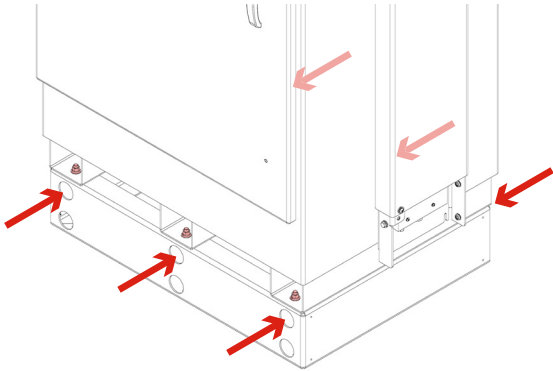
For example



3. Align the U-profiles (3) of the charging station with the holes in the base.

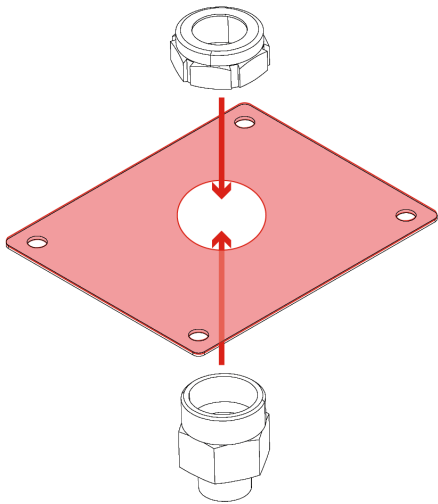


- Place the station on the base and tighten the 6 bolts (3 at the front and 3 at the back of the U-shaped channels).



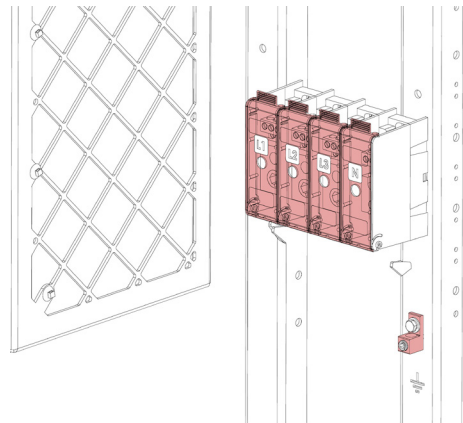
## 6.6 Connecting the Charging Station

- Punch a hole in the access plate to match the conductor size and pull the cables through the opening (Cable gland not included).



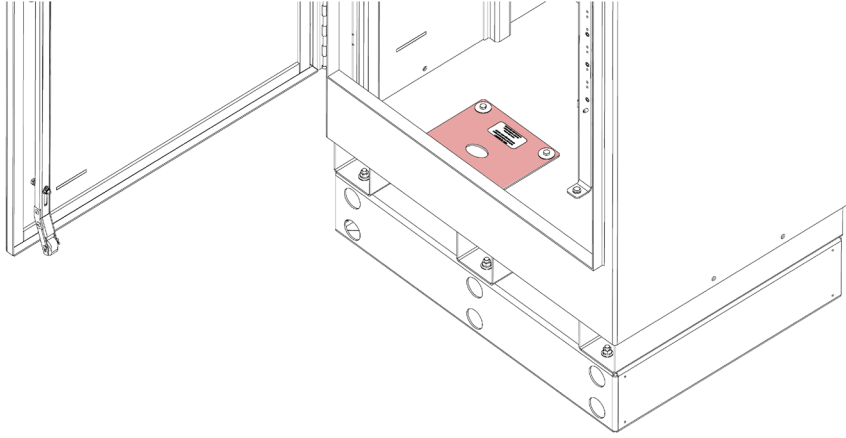
- Connect the conductors:
  - Connect the three-phase conductors (L1, L2, L3) and the neutral conductor (N) into the terminal with a torque of 56.5 N-m (500 lb-in).
  - Connect the grounding conductor into the grounding terminal with a torque of 5.6 N-m (50 lb-in).
  - Make sure all conductors are properly labeled (A, B, C, N, G) and that the sequence of the three-phase wires is followed.

**NOTE :** Connectors are compatible with copper and aluminum wires.



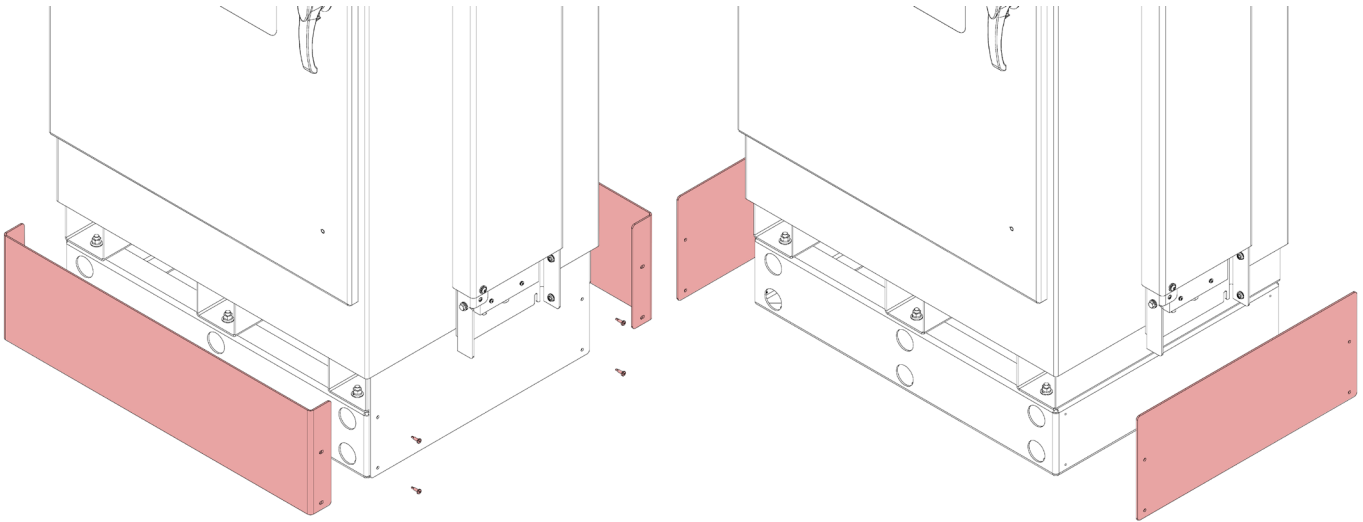


3. Place the cable entry plate back in its position and seal it.



## 6.7 Installation of the Base Coverings

1. Position the side cover plates, then the front and rear base cover plates and tighten the screws (8).



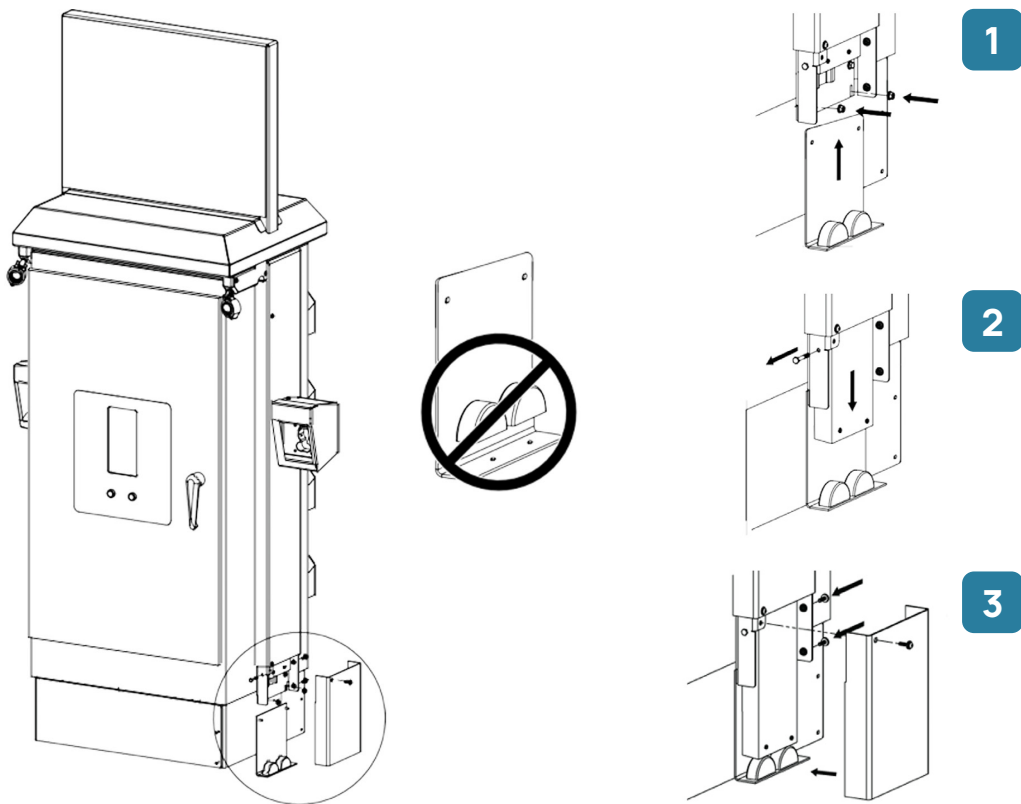
## 6.8 Cable Management System (Optional)

Counterweight installation:

1. Install the aluminum plate with the rubber stoppers and secure it with the bolts (make sure the aluminum plate rests firmly on the floor).
2. Remove the safety screw, and release the counterweight.
 

**WARNING:** DO NOT put your hands or fingers between the rubber stoppers and the counterweight.
3. Place the plate on the counterweight system.
 

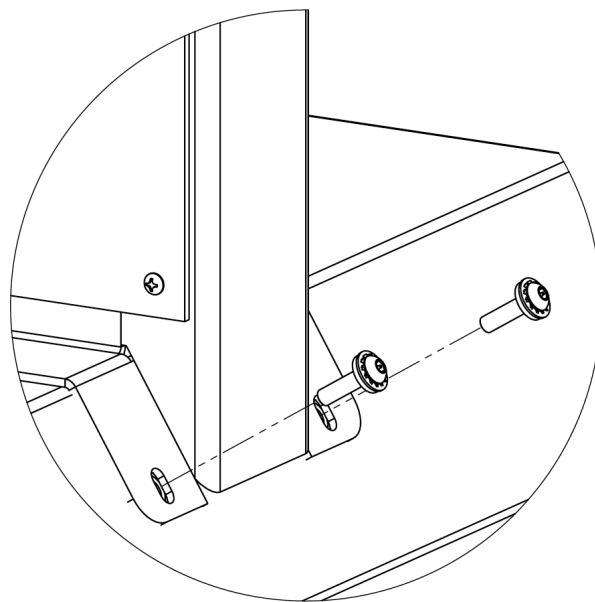
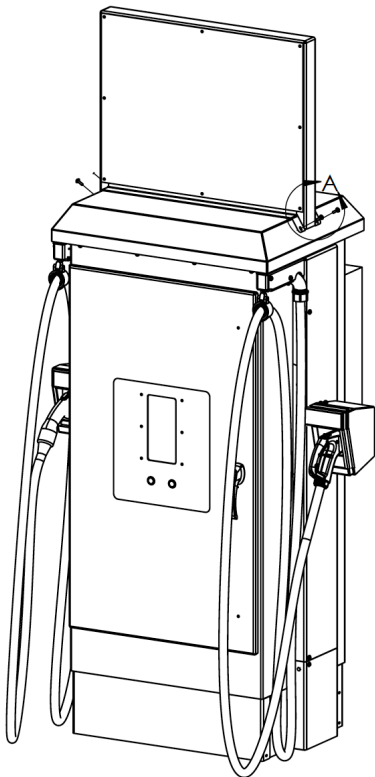
**NOTE:** This option is only available on the SmartDC 50 kW.



## 6.9 Installing the Sign

Align the panel with the 4 holes on top of the charging station and tighten the 4 bolts to secure the panel.

**NOTE:** If you have any problems installing the top panel, please contact FLO support.

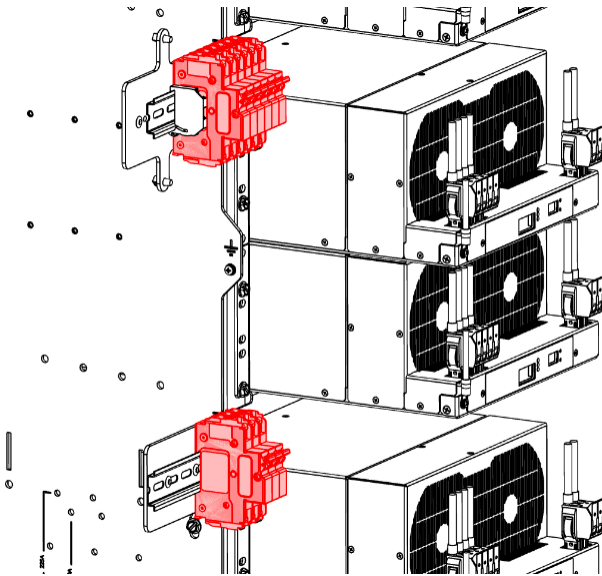


Detail A

# 7. Putting the Station into Service

## 7.1 Before Commissioning

1. The electrician must ensure that the electrical installation complies with the applicable electrical code, and that the station voltage is within the operating voltage range.
2. Make sure that each of the circuit breakers supplying the converters (50 kW: 2 breakers; 100 kW: 4 breakers) and the control power transformer breaker are in the closed (ON) position.
3. Close and lock the charging station enclosure door.



## 7.2 Commissioning

1. After the station is powered up, messages will appear on the display screen at the front of the station, confirming that it is now operational.
2. The station will then attempt to communicate with the FLO servers.
3. Once the station and gateway are powered up, please contact FLO technical support to complete the configuration: 1 855 543 8356.

## 8. Care and Maintenance of the Charging Station

THIS CHARGING STATION REQUIRES REGULAR MAINTENANCE TO ENSURE PROPER OPERATION AND TO MAINTAIN THE VALIDITY OF THE WARRANTY. PLEASE READ THE WARRANTY, WHICH IS AVAILABLE ON THE WEBSITE AT ALL TIMES.

MAINTENANCE MUST BE PERFORMED BY FLO QUALIFIED PERSONNEL.

The maintenance consists of:

1. Cleaning or replacing cooling system filters.

**NOTE** : It is important to maintain a good air flow inside the charging station to cool some components.

2. Inspection of critical charging station components, such as connector cable assemblies and power conversion modules.

We recommend that you perform maintenance on the charging station according to the following timeframes and the event that occurs first:

- > At least once a year
- > After 300 hours of use

In addition, more frequent maintenance is recommended when the charging station is installed in a dusty environment.

# 9. Copyright and Liability

Name : FLO\_SmartDC\_Installation Guide\_V.2.0.0\_2023-05-24\_CA\_EN

Identifiant : PRFM0075

FLO CA: © 2023 Services FLO Inc., All rights reserved. FLO, the FLO logo, LEAD THE WAY, and TRACEZ LA VOIE are trademarks of Services FLO Inc. ADDÉNERGIE is a trademark of AddÉnergie Technologies Inc. used under license by Services FLO Inc.

FLO US: © 2023 FLO Services USA Inc., All rights reserved. FLO, the FLO logo, LEAD THE WAY, and TRACEZ LA VOIE are trademarks of Services FLO Inc. used under license by FLO Services USA Inc. ADDÉNERGIE is a trademark of AddÉnergie Technologies Inc. used under license by FLO Services USA Inc.

ALL Documents: This document is provided as a general instruction guide. All pictures shown are for illustration purposes only. Actual stations may vary in size or due to product enhancements, in which case additional steps may be required. AddÉnergie Technologies Inc. and its subsidiaries (“AddÉnergie”) reserve the right to alter this document and any product offerings and specifications at any time without notice and AddÉnergie does not guarantee that that this version of the document is current. It is your responsibility to comply with all applicable laws, including those related to accessibility, zoning, and to exercise due diligence when conducting an installation or using this product. Careless installation or use may result in injury or product damage. To fullest extent permitted by applicable laws, AddÉnergie disclaims any liability for personal injury or property damage resulting from the installation or use of this product.

INSTALLATION OR COMMISSIONING QUESTIONS :

Telephone : **1 855 543 8356**

Email : [service@flo.com](mailto:service@flo.com)

CONTACT US:

Telephone : **1 855 543 8356**

Email : [info@flo.com](mailto:info@flo.com)

Website : [flo.com](http://flo.com)



**SERVICES FLO INC.**

**Eastern office:** 2800, Louis-Lumière Street, office 100, Québec (QC) G1P 0A4 CANADA

**Regional Office – Western Canada:** #501 – 4190 Lougheed Highway Burnaby (British Columbia), Canada, V5C 6A8

**United-States Office:** 75 South Clinton Ave. Suite 510, Rochester (New-York), 14604, USA