

# SK

## CEILING FAN HEATER



### HEAT FROM ABOVE

The SK ceiling fan heater silently beams down heat from above. This unique model is ideal for rooms where wall space is limited. In bathrooms, the SK can be installed just outside the shower or bathtub. With its ceiling-recessed casing, the SK is an excellent way to provide discreet air circulation. The result: uniform heating and air movement, and reduction in mirror and window fog. By adding a wall timer, you can use it on demand.

- **CEILING MOUNTED**  
IDEAL FOR ROOMS WITH LIMITED WALL SPACE
- **HEATING ON DEMAND**  
OPTIONAL WALL TIMER
- **COMPACT AND QUIET**
- **347 V MODEL AVAILABLE**

#### COLOURS

- **standard:** white, soft white
- **Orora (optional):** refer to [www.stelpro.com/en-CA/Orora](http://www.stelpro.com/en-CA/Orora)

#### FINISH

- epoxy-polyester powdercoat

#### MANUFACTURING

- 22-gauge steel cabinet and 1/4 in. (6.4 mm) deep 20-gauge steel front grille
- easy access for maintenance (no screws)

#### THERMAL PROTECTION

- thermal protection with automatic reset

#### ELEMENT

- nichrome element produces instant heat

#### CONTROL

- built-in thermostat (optional)
- wall thermostat (not included) – the use of an electronic thermostat is strongly recommended
- 60 minute timer (optional)

#### INSTALLATION

- ceiling mounted (recommended height 8 ft., maximum 9 ft.)
- surface mounted with surface adapter (optional)
- recessed or surface mounted with adapter for suspended ceiling (optional)
- unit can be mounted parallel or perpendicular to ceiling beams
- approved to be recessed in mineral wool; for all other materials please check with insulating product manufacturer

#### WARRANTY

- five years

#### IDEAL FOR:

bathroom, entryway, daycare centre, room with limited wall space

# °STELPRO

Stelpro reserves the right to modify descriptions, manufacturing specifications or prices without prior notice. No returns accepted on optional-colour products. For all the latest models and prices, please refer to our website at [www.stelpro.com](http://www.stelpro.com).



# TECHNICAL SPECIFICATIONS

WITHOUT CONTROL		BUILT-IN THERMOSTAT		24 V CONTROL		POWER	VOLTAGE	FLOW	THROW DISTANCE		HEAT RISE		WEIGHT	
CODE	PRICE	CODE	PRICE	CODE	PRICE	WATTS	VOLTS	CFM	M	FT.	°C	°F	KG	LB
SK0501	345.00	---	---	---	---	500	120	60	2.4	8	15	26	5	11
SK0508	345.00	---	---	---	---	500	208	60	2.4	8	15	26	5	11
SK0502	345.00	---	---	---	---	500/375	240/208	60	2.4	8	15	26	5	11
SK0503	423.00	SK0503T	512.00	SK0503C24	530.00	500	347	60	2.4	8	15	26	5	11
SK0751	345.00	---	---	---	---	750	120	60	2.4	8	22	39	5	11
SK0758	345.00	---	---	---	---	750	208	60	2.4	8	22	39	5	11
SK0752	345.00	---	---	---	---	750/560	240/208	60	2.4	8	22	39	5	11
SK0753	423.00	SK0753T	512.00	SK0753C24	530.00	750	347	60	2.4	8	22	39	5	11
SK1001	366.00	---	---	---	---	1000	120	60	2.4	8	29	53	5	11
SK1008	366.00	---	---	---	---	1000	208	60	2.4	8	29	53	5	11
SK1002	366.00	---	---	---	---	1000/750	240/208	60	2.4	8	29	53	5	11
SK1003	442.00	SK1003T	531.00	SK1003C24	549.00	1000	347	60	2.4	8	29	53	5	11
SK1251	388.00	---	---	---	---	1250	120	60	2.4	8	37	66	5	11
SK1258	388.00	---	---	---	---	1250	208	60	2.4	8	37	66	5	11
SK1252	388.00	---	---	---	---	1250/940	240/208	60	2.4	8	37	66	5	11
SK1253	463.00	SK1253T	552.00	SK1253C24	570.00	1250	347	60	2.4	8	37	66	5	11
SK1501	399.00	---	---	---	---	1500	120	60	2.4	8	44	79	5	11
SK1508	399.00	---	---	---	---	1500	208	60	2.4	8	44	79	5	11
SK1502	399.00	---	---	---	---	1500/1125	240/208	60	2.4	8	44	79	5	11
SK1503	475.00	SK1503T	563.00	SK1503C24	582.00	1500	347	60	2.4	8	44	79	5	11
---	---	---	---	---	---	2000	120	90	3.2	10'6"	39	70	5	11
---	---	---	---	---	---	2000	208	90	3.2	10'6"	39	70	5	11
SK2002	454.00	---	---	---	---	2000/1500	240/208	90	3.2	10'6"	39	70	5	11
SK2003	529.00	SK2003T	618.00	SK2003C24	636.00	2000	347	90	3.2	10'6"	39	70	5	11

Add W for white or SW for soft white (consult the optional colours chart or contact your Stelpro representative for all other colours).

Models also available in 277 V.

--- not available

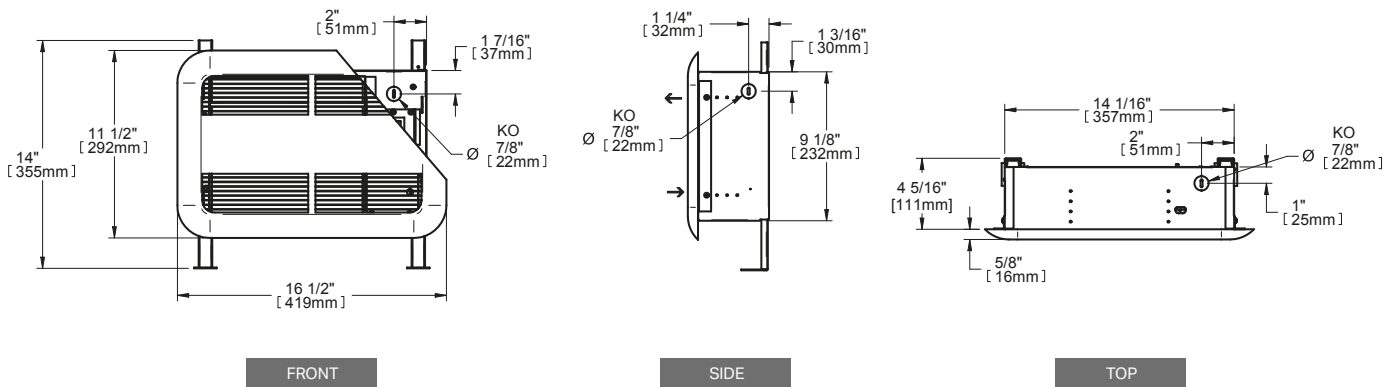
# ACCESSORIES

PRODUCT	DESCRIPTION	PRICE
SKT1*	tamper-proof built-in thermostat [120 V-347 V] (grille must be removed to access this type of thermostat)	86.00
SKTBA*	adapter for suspended ceiling (2 ft. x 2 ft.) – recessed or surface mounted with surface adapter (not included)	140.00
SKSA*	surface adapter (SK model)	122.00
FD60MCW70	60 minute wall timer [120 V-277 V]	89.00
SKRE153T*	built-in electronic low voltage relay c/w transformer 24 V [15 A @ 208 V-347 V]	143.00

\* Add W for white or SW for soft white.

\* Factory installed

# TECHNICAL DRAWINGS





Stelpro reserves the right to modify descriptions, manufacturing specifications or prices without prior notice. No returns accepted on optional-colour products. For all the latest models and prices, please refer to our website at [www.stelpro.com](http://www.stelpro.com).