

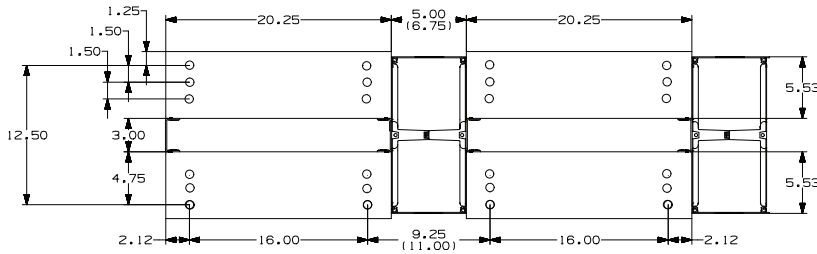
PART NUMBERS

Table 1

VERTICAL CABLE MANAGEMENT		Mounting Kits (sold separately)	Racks
Front/Rear	Front Only	WMPVCBE (Center Mount)	R2P Series of Racks R4P Series of Racks
WMPV22E	WMPVF22E	(Standard mounting for	
WMPV45E	WMPVF45E	Panduit 2 and 4 post racks	
WMPVHC45E	WMPVHCF45E	racks. One kit Included.)	

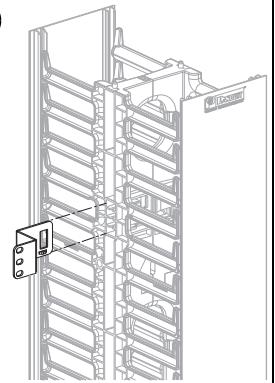
**Location Guide for Center Mounting
(R2P with WMPVCBE)**

Dimensions in () parenthesis are for 6" Vertical Cable Management



Bracket Installation

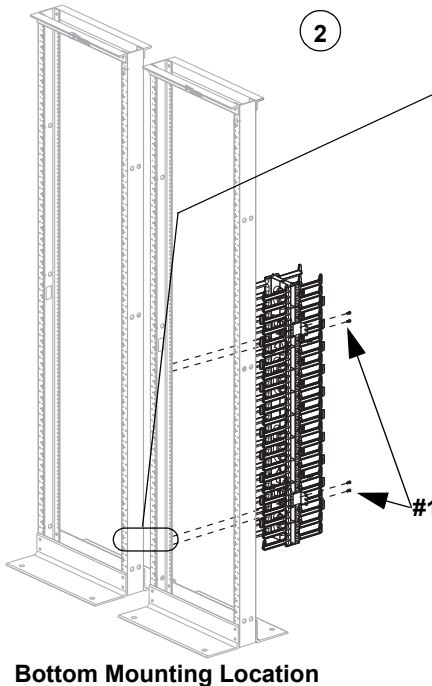
1



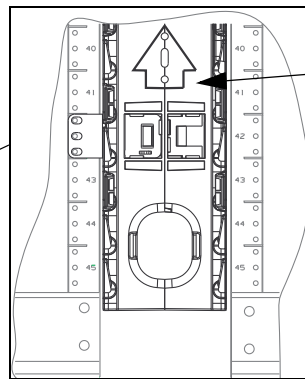
Note:
For additional brackets when installing between two racks use part number **WMPVCBE**. Bracket is keyed to be installed in the correct orientation.

Standard Rack Installation

2



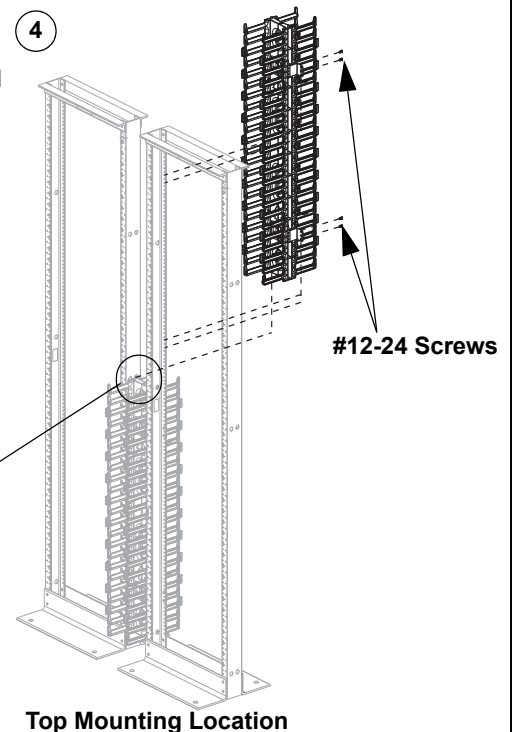
Bottom Mounting Location



Rear Bottom Mounting Location

Note:
Arrows and flags must point upward

4



Top Mounting Location

Location pin(s)

#12-24 Screws

#12-24 Screws

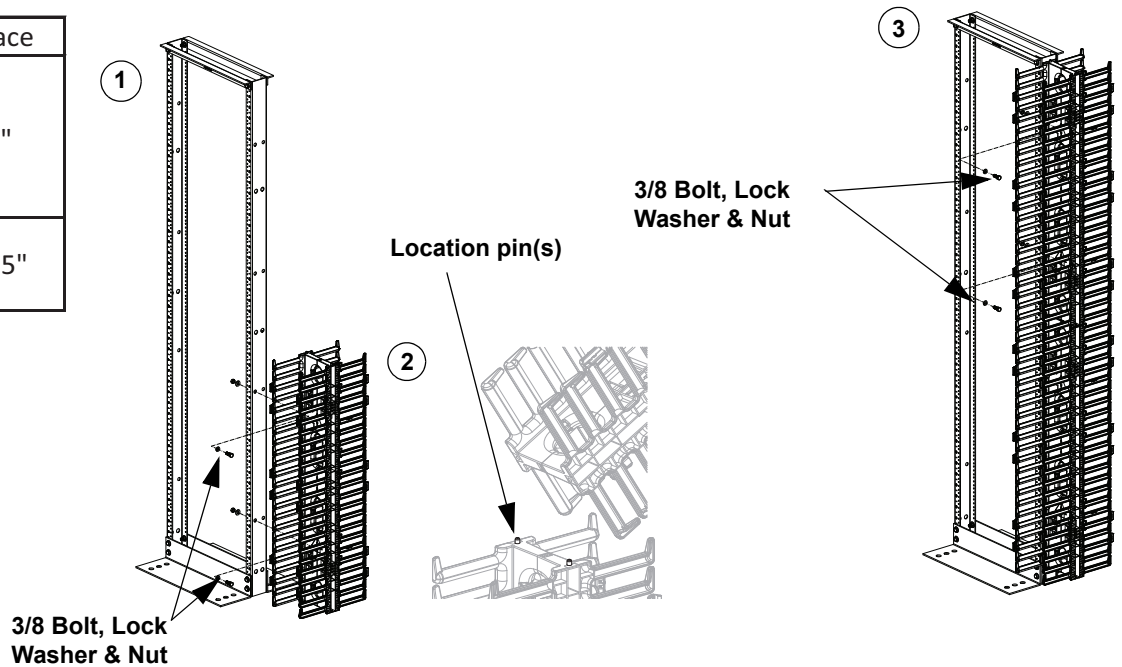
Installation Instructions R2PS using WMPVSMK side mounting kit

Note: Mount the racks to the floor (with the appropriate space between racks indicated in Table 2.)

Table 2

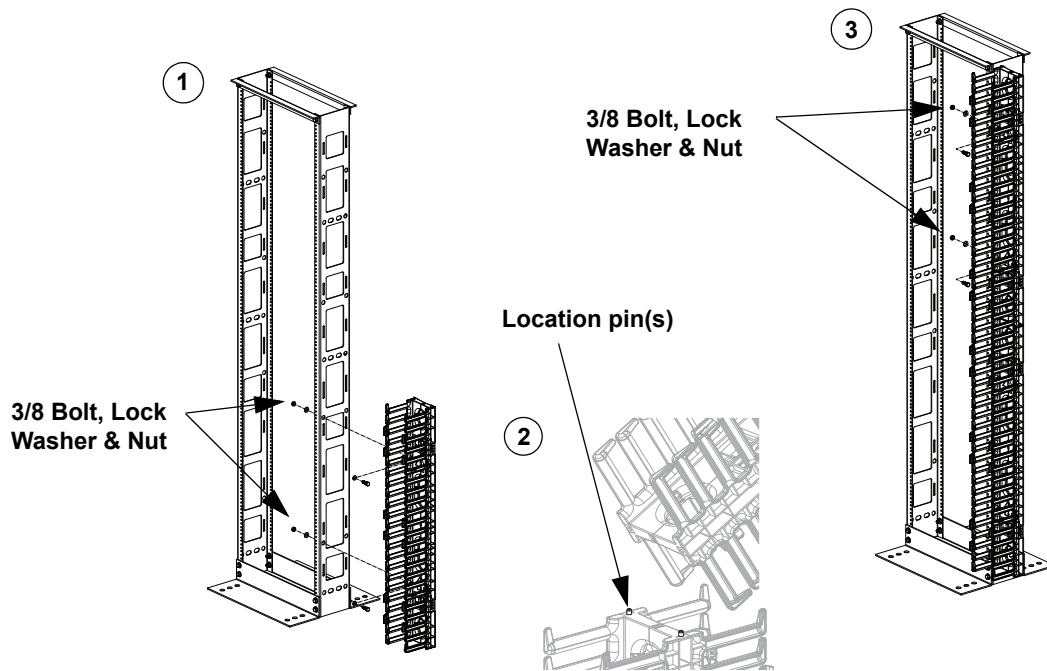
Part Number	Space
WMPV22E WMPV45E WMPVF22E * WMPVF45E *	5"
WMPVHC45E WMPVHCF45E *	6.75"

* FOR USE WITH R2P6S



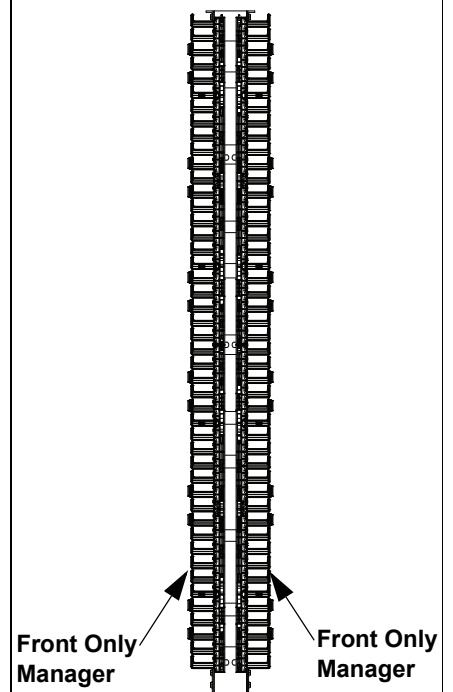
Installation Instructions Required mounting for R2P6S using WMPVSMK side mounting kit

Note: Mount the racks to the floor (with the appropriate space between racks indicated in Table 2.)



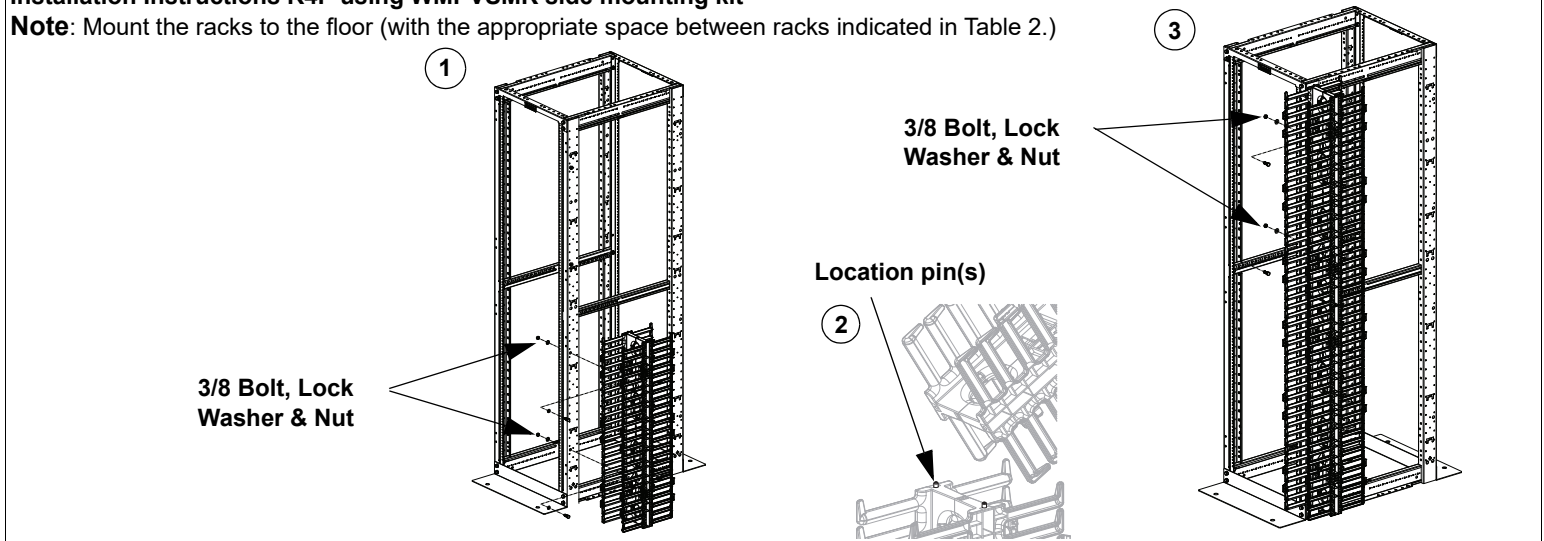
Installing Front Only Managers for Front and Back cable management.

Use a front only manager for additional cable management on the back of the rack (see Table 2 for all compatible managers for this rack)

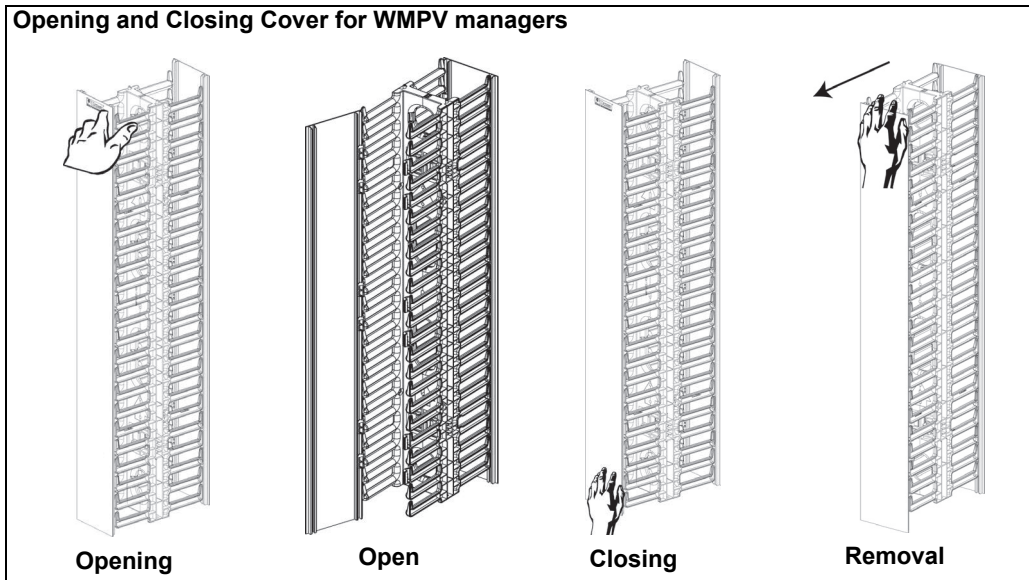


Installation Instructions R4P using WMPVSMK side mounting kit

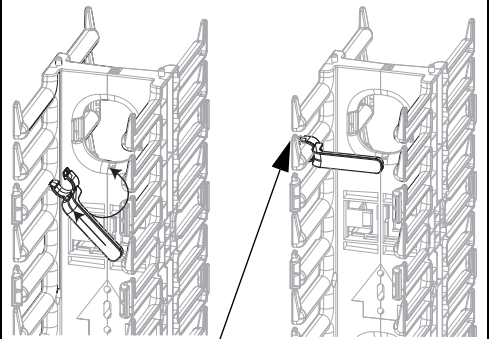
Note: Mount the racks to the floor (with the appropriate space between racks indicated in Table 2.)



Opening and Closing Cover for WMPV managers



Wire Retainer Installation (WR5E) SOLD SEPERATELY



For instructions in Local Languages and Technical Support:

www.panduit.com



www.panduit.com

E-mail: techsupport@panduit.com

Fax: (866)405-6654