



# LED MR16

## 7MR16/LED/827/F25/DIM 12V 10/1FB

Philips LED MR-16 lamps with single optic technology provide the look and color quality of traditional halogens while using a fraction of the energy. A perfect fit for spot lighting, they are compatible with most existing fixtures with MR16 GU5.3 holders and are designed as a retrofit replacement for halogen or incandescent spots.

### Product data

General Information		Power Consumption	
Cap-Base	GU5.3		7 W
Nominal lifetime	25,000 hour(s)	Lamp Current (Nom)	650 mA
Switching Cycle	50,000	Wattage Equivalent	50 W
Lighting Technology	LED	Starting Time (Nom)	0.5 s
EU RoHS compliant	Yes	Warm-up time to 60% light	0.5 s
		Power Factor (Fraction)	0.7
		Voltage (Nom)	ac electronic 12 V
Light Technical		Temperature	
Color Code	827 [CCT of 2700K]	T-Case Maximum (Nom)	90 °C
Beam Angle (Nom)	25 degree(s)		
Luminous Flux	515 lm	Controls and Dimming	
Luminous Intensity (Nom)	2,400 cd	Dimmable	Only with specific dimmers
Color Designation	Warm White (WW)		
Correlated Color Temperature (Nom)	2700 K	Mechanical and Housing	
Luminous Efficacy (rated) (Nom)	73.00 lm/W	Bulb Finish	Clear
Color Consistency	<4	Bulb Material	Aluminum
Color rendering index (CRI)	80	Bulb Shape	MR16
LLMF At End Of Nominal Lifetime (Nom)	70 %	UL Wet/ damp/ dry location	Damp location
Operating and Electrical		Approval and Application	
Line Frequency	- Hz	Suitable For Accent Lighting	Yes
Input Frequency	- Hz		

# LED MR16

Energy Certifications	Energy Star
T20 compliant	No

## Application Conditions

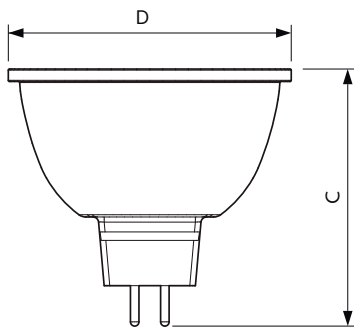
can it be used in closed luminaires	Yes
-------------------------------------	-----

## Product Data

Order product name	7MR16/LED/827/F25/DIM 12V 10/1FB
Full product name	7MR16/LED/827/F25/DIM 12V 10/1FB

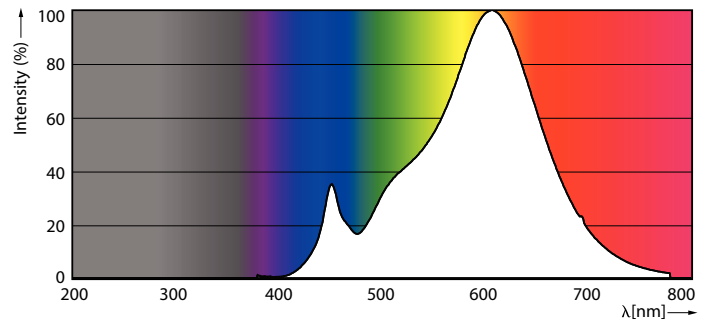
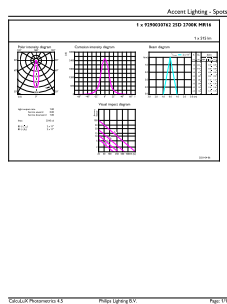
Order code	573865
Material Nr. (12NC)	929003076204
Numerator - Quantity Per Pack	1
EAN/UPC - Product/Case	046677573867
Numerator - Packs per outer box	10
EAN/UPC - Case	50046677573862

## Dimensional drawing



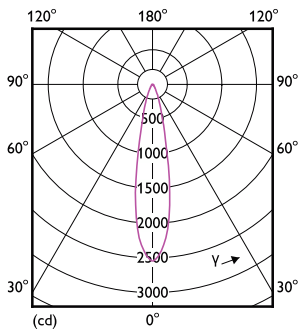
Product	D	C
7MR16/LED/827/F25/DIM 12V 10/1FB	50 mm	46.5 mm

## Photometric data



Accent Lighting Spots - 7MR16/LED/827/F25/DIM 12V 10/1FB

Spectral Power Distribution Colour - 7MR16/LED/827/F25/DIM 12V 10/1FB



Light Distribution Diagram - 7MR16/LED/827/F25/DIM 12V 10/1FB

# LED MR16

## Lifetime



Life Expectancy Diagram - 7MR16/LED/827/F25/DIM 12V 10/1FB

Lumen Maintenance Diagram - 7MR16/LED/827/F25/DIM 12V 10/1FB

