



LED MR16

7MR16/LED/827/F35/DIM 12V 10/1FB

Philips LED MR-16 lamps with single optic technology provide the look and color quality of traditional halogens while using a fraction of the energy. A perfect fit for spot lighting, they are compatible with most existing fixtures with MR16 GU5.3 holders and are designed as a retrofit replacement for halogen or incandescent spots.

Product data

General Information		Power Consumption	
Cap-Base	GU5.3		7 W
Nominal lifetime	25,000 hour(s)	Lamp Current (Nom)	650 mA
Switching Cycle	50,000	Wattage Equivalent	50 W
Lighting Technology	LED	Starting Time (Nom)	0.5 s
EU RoHS compliant	Yes	Warm-up time to 60% light	0.5 s
		Power Factor (Fraction)	0.7
		Voltage (Nom)	ac electronic 12 V
Light Technical		Temperature	
Color Code	827 [CCT of 2700K]		
Beam Angle (Nom)	35 degree(s)	T-Case Maximum (Nom)	90 °C
Luminous Flux	515 lm		
Luminous Intensity (Nom)	1,350 cd	Controls and Dimming	
Color Designation	Warm White (WW)	Dimmable	Only with specific dimmers
Correlated Color Temperature (Nom)	2700 K		
Luminous Efficacy (rated) (Nom)	73.00 lm/W	Mechanical and Housing	
Color Consistency	<4	Bulb Finish	Clear
Color rendering index (CRI)	80	Bulb Material	Aluminum
LLMF At End Of Nominal Lifetime (Nom)	70 %	Bulb Shape	MR16
		UL Wet/ damp/ dry location	Damp location
Operating and Electrical		Approval and Application	
Line Frequency	- Hz	Suitable For Accent Lighting	Yes
Input Frequency	- Hz		

LED MR16

Energy Certifications	Energy Star
T20 compliant	No

Application Conditions

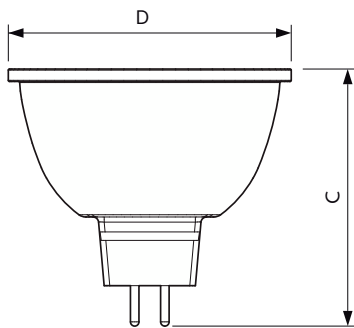
can it be used in closed luminaires	Yes
-------------------------------------	-----

Product Data

Order product name	7MR16/LED/827/F35/DIM 12V 10/1FB
Full product name	7MR16/LED/827/F35/DIM 12V 10/1FB

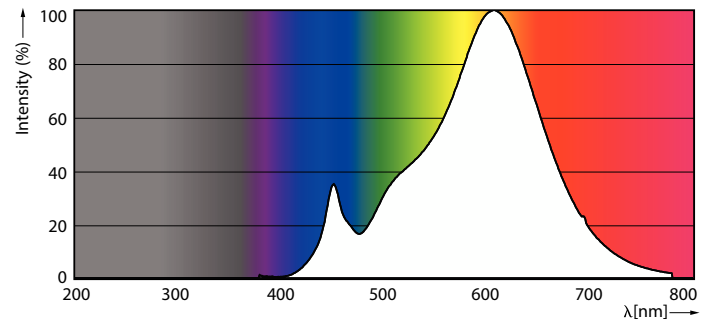
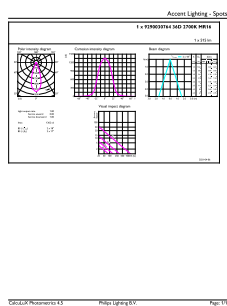
Order code	573881
Material Nr. (12NC)	929003076404
Numerator - Quantity Per Pack	1
EAN/UPC - Product/Case	046677573881
Numerator - Packs per outer box	10
EAN/UPC - Case	50046677573886

Dimensional drawing



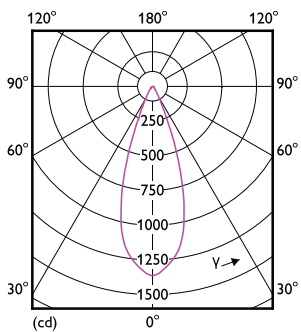
Product	D	C
7MR16/LED/827/F35/DIM 12V 10/1FB	50 mm	46.5 mm

Photometric data



Accent Lighting Spots - 7MR16/LED/827/F35/DIM 12V 10/1FB

Spectral Power Distribution Colour - 7MR16/LED/827/F35/DIM 12V 10/1FB



Light Distribution Diagram - 7MR16/LED/827/F35/DIM 12V 10/1FB

LED MR16

Lifetime



Life Expectancy Diagram - 7MR16/LED/827/F35/DIM 12V 10/1FB

Lumen Maintenance Diagram - 7MR16/LED/827/F35/DIM 12V 10/1FB

