

Day-Brite

CFI

by  Signify

Installation Instructions

Linear Luminaire

Economy Linear Strip



IMPORTANT

READ INSTRUCTIONS CAREFULLY BEFORE INSTALLING.
KEEP THESE INSTRUCTIONS FOR FUTURE REFERENCE.

IMPORTANT SAFETY INFORMATION:

- Turn off electrical power at fuse or circuit breaker box before wiring fixture to the power supply.
- Turn off the power when you perform any maintenance.
- Verify that supply voltage is correct by comparing it with the luminaire label information.
- Make all electrical and grounded connections in accordance with the National Electrical Code and any applicable local code requirements.
- All wiring connections should be capped with UL approved wire connectors.
- MIN 90 °C SUPPLY CONDUCTORS .

CAUTION: This luminaire must be wired in accordance with the National Electric Code and applicable local codes and ordinances.
Proper grounding is required for safety.

CAUTION: Installation and servicing of this luminaire should be performed by qualified personnel only.

CAUTION: This fixture is designed for permanent installation in ordinary (Non-Hazardous) locations in accordance with the National Electrical Code and all applicable local codes. Do not use in areas of limited ventilation or in high ambient enclosures.

The lamp and fixture operate at high temperatures. Contact with combustible materials can cause fire and personal contact can cause severe burns.

General Notes

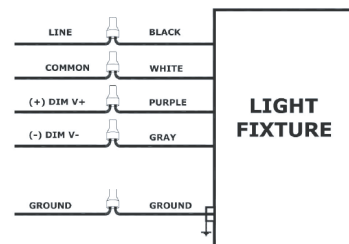
Many luminaire components, such as reflectors, refractors, lenses, sockets, lamp holders, and LEDs are made from various types of plastics which can be adversely affected by airborne contaminants. If sulfur based chemicals, petroleum based products, cleaning solutions, or other contaminants are expected in the intended area of use, consult factory for compatibility.

Cleaning and Maintenance:

Caution: Do not clean or maintain while the luminaire is energized. Check that the luminaire temperature is cool enough to touch.
Periodically check and remove any accumulated dirt or debris around luminaire. Do not touch Leds.

General Wiring Diagram

Caution: All units must be individually connected to the AC Supply.
Select appropriate access point for your installation, remove knockout, and feed power leads through hole.
Connect the supply wire from the source to the driver.
Black= Line White= Neutral Green= Ground
**Consult with dimmer control manufacturer' s wiring instructions.



Mounting Instructions

A: Surface Mounting

Before installation, ensure if power supply is disconnected. Cables must be connected in accordance to instruction and proper standing rules.

1. Press the housing on the hole position to open the lens, please see below picture 1&2.
2. Use the luminaire as a template by placing it on the junction box and marking in the four hole position. Put the luminaire aside and drill the four holes. Insert an anchoring bolt (not included) into each hole.
3. Secure the luminaire into place with the help of mounting screws (not included) making sure to pass the junction box cables into the luminaire housing. Connect luminaire wires to junction box wires (wire connectors not included) as follows picture 3.
4. Cover the lens, see picture 4



Day-Brite

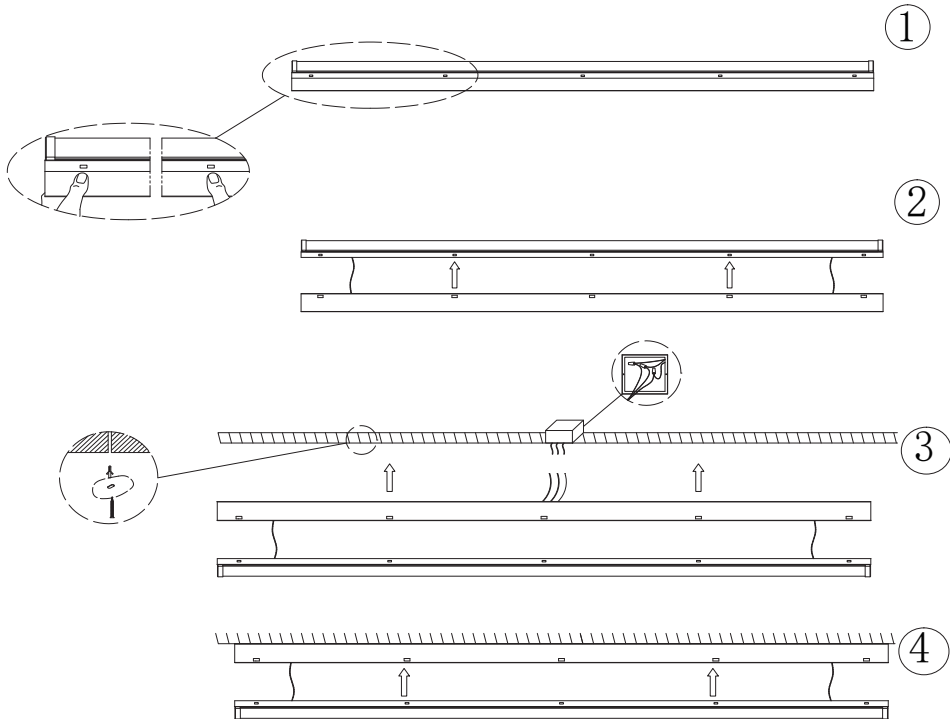
CFI

by  Signify

Installation Instructions

Linear Luminaire

Economy Linear Strip



Mounting Instructions

B: Suspending Mounting(V-hook and chain and aircraft cable not be included)

