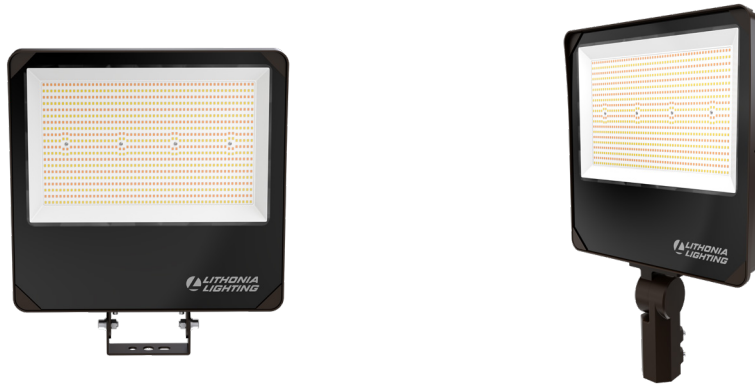


ESXF5 LED Floodlight
Projector LED ESXF5
Projecteur LED ESXF5



Model Number(s)/ Número de modelo / Numéro des modèle
ESXF5

Protect yourself. Before installing, read the entire instructions carefully and save them for future reference.

Date installed: _____

Failure to follow any of these instructions could void product warranties. For a complete list of product Terms and Conditions, visit www.acuitybrands.com. Acuity Brands Lighting, Inc. assumes no responsibilities for claims arising out of improper or careless installation or handling of its products.

Upon receipt of fixture, thoroughly inspect for any freight damage. All damage should be reported to the delivery carrier. Compare the catalog description listed on the packing slip with the fixture label on the inside of the housing to be sure you have received the correct merchandise.

Protégase. Antes de instalar, lea estas instrucciones cuidadosamente y guárdelas para futura referencia.

Fecha instalada: _____

El incumplimiento de alguna de estas instrucciones puede anular la garantía del producto. Para obtener la lista completa de los términos y las condiciones respecto al producto, visite www.acuitybrands.com. Acuity Brands Lighting, Inc. no se hace responsable por los reclamos que puedan surgir de la instalación o manipulación inadecuada o negligente de sus productos.

Cuando reciba el aparato, inspeccione minuciosamente para detectar posibles daños por el envío. Informe todos los daños a la compañía a cargo del envío. Compare la descripción de catálogo incluida en el comprobante de empaque con la etiqueta del aparato en el interior del paquete para asegurarse de haber recibido la mercadería correcta.

Pour votre propre protection. Avant de procéder à l'installation, veuillez lire attentivement ces directives et les conserver pour référence ultérieure.

Date de l'installation: _____

Tout manquement au respect de ces instructions pourrait rendre nulles les garanties. Pour une liste complète des conditions générales du produit, veuillez vous rendre sur www.acuitybrands.com. Acuity Brands Lighting, Inc. n'assume aucune responsabilité pour les réclamations découlant d'une installation ou d'une manipulation incorrectes ou négligentes de ses produits.

Lors de la réception du luminaire, procéder à une inspection minutieuse à la recherche de dommages éventuels subis lors du transport. Tous les dommages doivent être signalés au transporteur livreur. Comparez la description du catalogue indiquée sur le bordereau d'emballage avec l'étiquette du luminaire à l'intérieur du boîtier afin de vous assurer que vous avez reçu les bonnes marchandises.

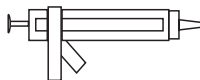
Mounting Hardware and Silicone Sealant Required
Purchase Separately
REQUIRED TOOLS:

- Description
 3/16" Allen Wrench
 5/16" Allen Wrench
 5/32" Allen Wrench
 Adjustable Wrench
 Phillips Head Screwdriver



Se requieren componentes de montaje
Requiere Sellador de Silicona
Compre por separado
HERRAMIENTAS REQUERIDAS:

- Description
 Llave Allen de 3/16 in
 Llave Allen de 5/16 in
 Llave Allen de 5/32 in
 Llave Ajustable
 Destornillador de cabeza Philips



Quincaillerie de montage et agent d'étanchéité à base de silicone requis
à acheter séparément
OUTILS REQUIS:

- Description
 Clé Allen 3/16 po
 Clé Allen 5/16 po
 Clé Allen 5/32 po
 Clé réglable
 Tornevis Cruciforme



READ AND FOLLOW THESE SAFETY INSTRUCTIONS!

- To reduce the risk of death, personal injury or property damage from fire, electric shock, falling parts, cuts/abrasions, and other hazards please read all warnings and instructions included with and on the fixture box and all fixture labels.
- Before installing, servicing, or performing routine maintenance upon this equipment, follow these general precautions.
- Commercial installation, service and maintenance of luminaires should be performed by a qualified licensed electrician.
- For Residential installation: If you are unsure about the installation or maintenance of the luminaires, consult a qualified licensed electrician and check your local electrical code.
- Maintenance of the luminaires should be performed by person(s) familiar with the luminaires' construction and operation and any hazards involved. Regular fixture maintenance programs are recommended.
- This fixture is intended to be connected to a properly installed and grounded UL listed junction box.
- It will occasionally be necessary to clean the outside of the refractor/lens. Refractor/lens should be washed in a solution of warm water and any mild, non-abrasive household detergent, rinsed with clean water and wiped dry. Should optical assembly become dirty on the inside, wipe refractor/lens and clean in above manner, replacing damaged gaskets as necessary.
- **DO NOT INSTALL DAMAGED PRODUCT!** This luminaire has been properly packed so that no parts should have been damaged during transit. Inspect to confirm. Any part damaged or broken during or after assembly should be replaced.
- Recycle: For information on how to recycle LED electronic products, please visit www.epa.gov.
- These instructions do not purport to cover all details or variations in equipment nor to provide every possible contingency to meet in connection with installation, operation, or maintenance. Should further information be desired or should particular problems arise which are not covered sufficiently for the purchaser's or owner's purposes, this matter should be referred to Acuity Brands Lighting, Inc.

**WARNING
RISK OF ELECTRIC SHOCK**

- ▶ Disconnect or turn off power before installation or servicing.
- ▶ Verify that supply voltage is correct by comparing it with the luminaire label information.
- ▶ Make all electrical and grounded connections in accordance with the National Electrical Code (NEC) and any applicable local code requirements.
- ▶ All wiring connections should be capped with UL approved wire connectors.

**CAUTION
RISK OF INJURY**

- ▶ Wear gloves and safety glasses at all times when removing luminaire from carton, installing, servicing or performing maintenance.
- ▶ Avoid direct eye exposure to the light source while it is on.

**WARNING
RISK OF BURN**

- ▶ Allow lamp/fixture to cool before handling. Do not touch enclosure, lens or light source.
- ▶ Do not exceed maximum wattage marked on luminaire label.
- ▶ Follow all manufacturer's warnings, recommendations and restrictions including but not limited to: driver type, burning position, mounting locations/methods, replacement and recycling.
- ▶ Use only lamps that comply with ANSI standards.

**CAUTION
RISK OF FIRE**

- ▶ Keep combustible and other materials that can burn, away from lamp/lens.
- ▶ Do not operate in close proximity to persons, combustible materials or substances affected by heat.

**CAUTION
RISK OF PRODUCT DAMAGE**

- ▶ Never connect components under load.
- ▶ Do not mount or support these fixtures in a manner that can cut the outer jacket or damage wire insulation.
- ▶ Unless individual product specifications deem otherwise: Never connect an LED product directly to a dimmer packs, occupancy sensor, timing device, or other related control devices. LED fixtures must be powered directly off a switched circuit.
- ▶ Unless individual product specifications deem otherwise: Do not restrict fixture ventilation. Allow for some volume of airspace around the fixture. Avoid covering LED fixtures with insulation, foam, or other material that will prevent convection or cooling.
- ▶ Unless individual product specifications deem otherwise: Do not exceed fixtures maximum ambient temperature.
- ▶ Only use fixture in its intended location.
- ▶ LED products are Polarity Sensitive. Ensure proper Polarity before installation.
- ▶ Electrostatic Discharge (ESD): ESD can damage LED fixtures. Personal grounding equipment must be worn during all installation or servicing of unit.
- ▶ Do not touch individual electrical components as this can cause ESD, shorten lamp life, or alter performance.
- ▶ Some components inside the fixture may not be serviceable. In the unlikely event your unit may require service, stop using the unit immediately and contact an ABL representative for assistance.
- ▶ Changes or modifications not expressly approved by Acuity Brands Lighting could void the authority to operate the equipment.
- ▶ Always read the fixtures complete installation instructions prior to installation for any additional fixture specific warnings.

This equipment has been tested and found to comply with the limits for a class B digital device, pursuant to part 15 of the FCC Rules. These limits are designed to provide reasonable protection against harmful interference when used in a residential installation. This equipment generates, uses and can radiate radio frequency energy and, if not installed and used in accordance with the instructions may cause harmful interference to radio communications. However, there is no guarantee that interference will not occur in a particular installation. If this equipment does cause harmful interference to radio or television reception, which can be determined by turning the equipment off and on, the user is encouraged to try to correct the interference by one or more of the following measures:

- Reorient or relocate the receiving antenna.
- Increase the separation between the equipment and receiver.
- Connect the equipment into an outlet on a circuit different from that to which the receiver is connected.
- Consult the dealer or an experienced radio/TV technician for help.

5-YEAR LIMITED WARRANTY

Failure to follow any of these instructions could void product warranties. For a complete listing of product Terms and Conditions, please visit www.acuitybrands.com. Acuity Brands Lighting, Inc. assumes no responsibilities for claims arising out of improper or careless installation or handling of its products.

FIXTURE PACKING LIST

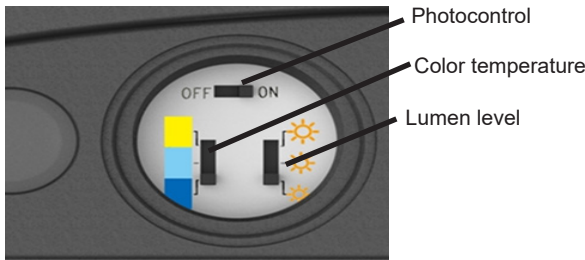
Description	Quantity
A LED Light Fixture.....	1
B Slipfitter.....	1
C Yoke	1
D Visor Screws*.....	2

*Contained in parts packs

Remove fixture components and parts pack. Check to ensure all parts are included. *Note:* Account for small parts and destroy packing material, as these may be hazardous to children.

CHOOSE SETTINGS (OPTIONAL)

- To change settings, use 3/16" Allen wrench to remove the switch cover on the side of the fixture. See Figure C. Choose your settings and replace switch cover. Tighten to min. 1.5ft-lbs (2Nm) to max. 1.8ft-lbs (2.5Nm).
- For lumens, factory set to brightest sun (50,000lm). If different brightness is desired select middle sun (40,000lm) and for lowest lumens dimmest sun (30,000lm).
- For color, factory set to Light Blue (4000K) if different color is desired select Blue (5000K) for the whitest color and Yellow (3000K) for the least white.



FIXTURE INSTALLATION

For installation to properly installed and grounded UL listed recessed or surface mounted weatherproof junction box.

Turn OFF Power at circuit breaker box.

CAUTION: Do not rely on wall switch alone to turn off power.

For Safety: Be sure to attach provided hook to a solid surface to support fixture during install.

SLIPFITTER MOUNT

- To Install slipfitter: Using Philips head screw driver, remove the two screws that secure the side door to slip-fitter. Thread cord through slipfitter door (A).
- Secure Slipfitter to housing with four 1/2" 1/4-20 Socket Head Cap Screws. Use 3/16" Allen wrench to tighten to min. 2.2ft-lbs(3Nm) to max. 2.6ft-lbs (3.5Nm).
- Make power connection, see wiring instructions.
- Place integral slipfitter onto maximum 2-3/8" outer diameter Tenon. Secure slipfitter to the Tenon by tightening the four 5/16-18 socket head set screws to min. 1.5ft-lbs (2Nm) to max. 1.8ft-lbs (2.5Nm) with 5/32" Allen wrench.
- To adjust the tilt angle of the fixture, loosen the 3/8-16 Socket Cap Screw in the Knuckle with a 5/16" Allen wrench, rotate fixture to the desired angle and re-tighten to min. 2.5ft-lbs (3.5Nm) to max. 3ft-lbs (4Nm). See Figure D.

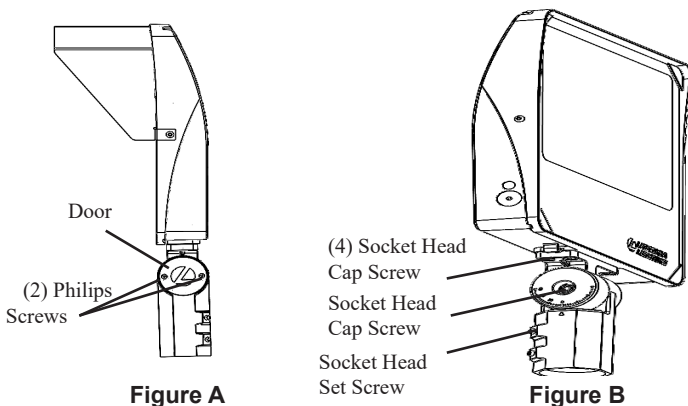


Figure A

Figure B

YOKE MOUNT

- To install Yoke, thread cord through offset center hole of upper yoke section.
- Secure Yoke to housing with four 1/2" 1/4-20 Socket Cap Screws. Use 3/16" Allen wrench to tighten to min. 2.2ft-lbs (3Nm) to max. 2.6ft-lbs (3.5Nm).
- Mount fixture to the desired bracketry with one 5/8" or two 1/2" bolts, lock washer, and nut (not provided). See figure B for template of yoke bracket hole pattern.
- To adjust the tilt angle of the fixture, use 5/16" Allen wrench to loosen the 3/8-16" Socket Cap screws on both sides of the yoke. While holding weight of fixture, use 5/32" Allen wrench to remove #10-24 Socket Cap set screw, adjust to desired angle and reinstall set screw in appropriate matching hole. Re-tighten hex head screws to min. 2.5ft-lbs (3.5Nm) to max. 3ft-lbs (4Nm). See Figure C.

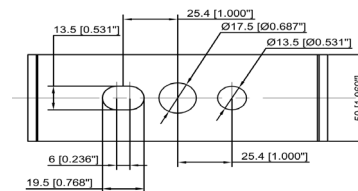


Figure C

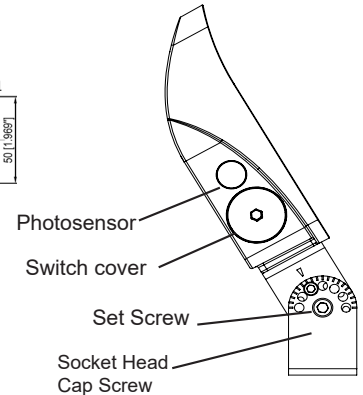


Figure D

CAUTION: WIRING

Make sure power is turned off.

- Use wire nut to connect the bare copper or green house supply ground wire to the green fixture ground wire. *Note: If house wiring does not include a ground wire, consult your local electrical code for approved grounding methods.*

For proper connection, place wire nut over wires

and twist clockwise until tight.

- Use wire nut to connect the white fixture wire to the white (neutral) house supply wire.
- Use wire nut to connect the back fixture wire to the black house supply wire. Turn on electricity at fuse or circuit breaker box and verify success of installation. *Note: If photosensor is in ON position, cover photosensor window to block daylight from entering sensor and allow lights to activate during daytime.*

Visor - Sold separately

- Using a Philips head screwdriver, remove pre-attached screws from side of fixture. See Figure D.
- Align visor screw holes with screw holes on the side of the fixture and screw down. Screw down only hand tight.

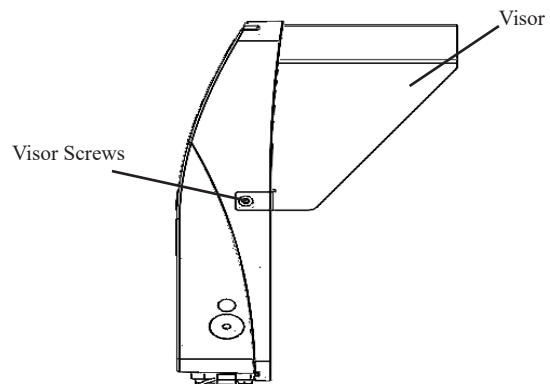


Figure E

LEA Y SIGA LAS INSTRUCCIONES DE INSTALACIÓN

- Para reducir el riesgo de muerte, lesiones personales o daño a la propiedad que pueda surgir de incendios, choques eléctricos, cortes, abrasiones, caída de partes y otros peligros lea todas las advertencias e instrucciones incluidas en la caja o su interior, además de las etiquetas del montaje.
- Antes de instalar o revisar el equipo, o realizar mantenimiento de rutina, siga estas precauciones generales.
- La instalación, la revisión y el mantenimiento comerciales de las luminarias debe ser realizada por un electricista calificado autorizado.
- La En el caso de instalaciones residenciales: Si no está seguro sobre la instalación o el mantenimiento de las luminarias, consulte a un electricista calificado autorizado y verifique el código eléctrico local.
- Este montaje ha sido diseñado para conectarse a una caja de unión aprobada por UL debidamente instalada y puesta a tierra.
- Cada tanto será necesario limpiar la parte externa del refractor y de la lente. La frecuencia de la limpieza dependerá del nivel de polvo del ambiente y de la potencia de la luz mínima aceptable para el usuario. El refractor/la lente se debe lavar con una solución de agua tibia y detergente de uso doméstico suave no abrasivo, enjuagar con agua limpia y secar. Si el montaje óptico se ensuciara por dentro, limpie el refractor o la lente como se indicó anteriormente; de ser necesario, reemplace las juntas dañadas.
- **NO INSTALE EL PRODUCTO SI ESTÁ DAÑADO**
- Reciclado: Para obtener información sobre cómo reciclar productos electrónicos LED, visite www.epa.gov.
- Estas instrucciones no pretenden cubrir todos los detalles o las variaciones de los equipos ni abarcar todas las posibles eventualidades relacionadas con la instalación, el funcionamiento o el mantenimiento. Si necesita más información o surgen problemas específicos que no están debidamente cubiertos en la información del producto, remítase a Acuity Brands Lighting, Inc.



ADVERTENCIA RIESGO DE CHOQUE ELÉCTRICO

- ▶ Desconecte o interrumpa la energía eléctrica antes de realizar la instalación o la reparación.
- ▶ Verifique que el voltaje de alimentación sea correcto; compárelo con la información de la etiqueta de la luminaria.
- ▶ Realice todas las conexiones eléctricas y a tierra en cumplimiento del Código Eléctrico Nacional y de los requisitos del código local vigente.
- ▶ Todas las conexiones de cableado deben cubrirse con conectores para cable reconocidos y aprobados por UL.



PRECAUCIÓN RIESGO DE LESIONES

- ▶ Use gafas y guantes de protección en todo momento al retirar la luminaria de la caja, al instalarla, repararla o realizar operaciones de mantenimiento.
- ▶ Una vez encendida la fuente de luz, evite la exposición directa con los ojos.



ADVERTENCIA RIESGO DE QUEUMADURAS

- ▶ Antes de manipular el montaje, déjelo enfriar. No toque la carcasa ni la fuente de iluminación.
- ▶ No supere el voltaje máximo señalado en la etiqueta de la luminaria.
- ▶ Respete todas las advertencias, recomendaciones y restricciones que proporciona el fabricante para: tipo de conductor, posición de funcionamiento, puntos o métodos de montaje, reemplazo y reciclado.
- ▶ Use sólo lámparas que cumplan los estándares ANSI.



PRECAUCIÓN RIESGO DE INCENDIO

- ▶ Mantenga lejos de la luminaria y de las lámparas/lentes, los materiales combustibles y de otro tipo que se puedan incendiar.
- ▶ No las encienda cerca de personas, materiales combustibles o sustancias inflamables.



PRECAUCIÓN RIESGO DE DAÑO PARA EL PRODUCTO

- ▶ Jamás conecte componentes bajo carga.
- ▶ No monte estos montajes de manera que puedan cortar el revestimiento exterior o dañar el aislamiento de los cables.
- ▶ A menos que las especificaciones del producto individual consideren lo contrario: jamás conecte un producto LED directamente a un paquete de reducción de intensidad de la luz, sensores de ocupación, dispositivos de temporización ni demás dispositivos de control relacionados. Los montajes LED se deben apagar directamente de un circuito de interruptores.
- ▶ A menos que las especificaciones del producto individual consideren lo contrario: no limite la ventilación del montaje. Deje un poco de espacio alrededor del montaje. Evite cubrir los montajes LED con aislación, goma u otro material que evitará la convección o el enfriamiento de la conducción.
- ▶ A menos que las especificaciones del producto individual consideren lo contrario: no supere la temperatura ambiente máxima para el montaje.
- ▶ Use el montaje sólo en la ubicación para la que está diseñado.
- ▶ Los productos LED son sensibles a la polaridad. Asegure la correcta polaridad antes de la instalación.
- ▶ Descarga electrostática (DES): la DES puede dañar los montajes LED. Durante la instalación o reparación de la unidad se debe usar siempre equipo personal conectado a tierra.
- ▶ No toque componentes eléctricos individuales ya que esto puede causar DES, reducir la vida útil de la lámpara o alterar el funcionamiento.
- ▶ Es posible que algunos componentes dentro del montaje no se puedan reparar. En el caso improbable de que su unidad requiera reparación, deje de usar la unidad inmediatamente y comuníquese con un representante de ABL para obtener ayuda.
- ▶ Los cambios o modificaciones no aprobados expresamente por Acuity Brands Lighting pueden anular la autoridad del usuario para usar el equipo.
- ▶ Lea siempre las instrucciones de instalación completa de montaje antes de la instalación para verificar si hay advertencias específicas de montaje adicionales.
- ▶ Asegúrese siempre de que el sistema de distribución eléctrica cumpla con los requisitos del NEC (y los códigos locales aplicables).
- ▶ Verifique que el sistema de distribución de alimentación tenga una conexión a tierra adecuada. La falta de una toma de tierra adecuada puede conducir a una falla de la luminaria y puede anular la garantía.

Todas las luminarias que contienen dispositivos eléctricos que generan frecuencias superiores a 9 kHz desde cualquier componente de la luminaria cumplen con la Parte 15 de las reglas de la FCC. El funcionamiento está sujeto a las siguientes dos condiciones:

- (1) este dispositivo no puede ocasionar interferencias perjudiciales, y
- (2) este dispositivo debe aceptar cualquier interferencia recibida, incluso aquellas que pueden ocasionar un mal funcionamiento.

Este dispositivo cumple con la Parte 15 de las reglas de la FCC pero puede ocasionar interferencia con teléfonos inalámbricos y celulares, radios, televisores y otros dispositivos electrónicos. Para corregir el problema, aleje el dispositivo de la luminaria o enchúfelo en otra toma de corriente. Este producto puede ocasionar interferencia en equipos de radio y no se debe instalar cerca de equipos de comunicación de seguridad marítima u otros equipos de comunicación o navegación crítica que funcionen en el rango de 0.45 a 30 MHz.

GARANTÍA LIMITADA POR 5 AÑOS

El incumplimiento de alguna de estas instrucciones puede anular la garantía del producto. Para obtener la lista completa de los términos y las condiciones respecto al producto, visite www.acuitybrands.com. Acuity Brands Lighting, Inc. no se hace responsable por los reclamos que puedan surgir de la instalación o manipulación inadecuada o negligente de sus productos.

LISTA DE EMBALAJE

Descripción	Cantidad
A Luminaria led.....	1
B Posicionador deslizante.....	1
C Horquilla.....	1
D Tornillos del visor*.....	2

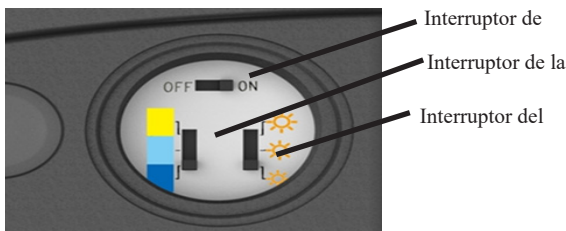
*Contenido en el paquete de piezas

Quite los componentes del luminario y el paquete de piezas. Verifique que todas las piezas estén incluidas. **Nota:** Tenga cuidado con las piezas pequeñas y destruya el material de embalaje, ya que pueden ser peligrosos si están al alcance de niños.

- Para cambiar la configuración, utilice una llave Allen de 3/16" para retirar la tapa del interruptor situada en el costado de la luminaria. Consulte la Figura C. Seleccione su configuración y vuelva a colocar la tapa del interruptor. Ajuste a un mínimo de 1.5 lb-pie (2 Nm) hasta un máximo de 1.8 lb-pie (2.5 Nm).
- Para lúmenes, configurado de fábrica para el sol más brillante (50,000lm). Si se desea un color diferente, seleccione sol medio (40,000lm) y para los lúmenes más bajos el sol más tenue (30,000lm).
- Para el color, configurado de fábrica en azul claro (4000K), si se desea un color diferente, seleccione azul (5000K) para el color más blanco, y amarillo (3000K) para el color menos blanco.

*Configuración de fábrica

SELECCIÓN DE CONFIGURACIÓN (OPCIONAL)



INSTALACIÓN DE LA LUMINARIA

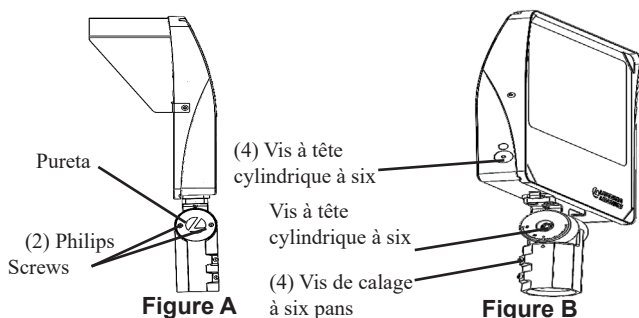
Para su instalación en una caja de conexiones impermeable, empotrada o montada en superficie, debidamente instalada y conectada a tierra, con certificación UL.

DESCONECTE la energía eléctrica de la caja del disyuntor.

PRECAUCIÓN: No confíe solo del interruptor de pared para desconectar la energía eléctrica.

MONTAJE DEL POSICIONADOR DESLIZANTE

- Para instalar el posicionador deslizante: Con un destornillador de cabeza plana Philips, quite los dos tornillos que aseguran la puerta lateral al posicionador deslizante. Pase el cable a través de la puerta del posicionador deslizante (A).
- Asegure el posicionador deslizante a la caja con cuatro tornillos Allen de 1/4-20 x 1/2". Utilice una llave Allen de 3/16" para ajustarlos a un mínimo de 2.2 lb-pie (3 Nm) hasta un máximo de 2.6 lb-pie (3.5 Nm).
- Realice la conexión de la alimentación, consulte las instrucciones de cableado.
- Coloque el posicionador deslizante integral en la espiga de diámetro exterior máximo de 2-3/8". Asegure el posicionador deslizante a la espiga ajustando los cuatro tornillos Allen de 5/16-18 a un mínimo de 1.5 lb-pie (2 Nm) hasta un máximo de 1.8 lb-pie (2.5 Nm) con una llave Allen de 5/32".
- Para ajustar el ángulo de inclinación de la luminaria, afloje el tornillo Allen de 3/8-16 de la articulación con una llave Allen de 5/16", gire la luminaria hasta el ángulo deseado y vuelva a ajustar a un mínimo de 2.5 lb-pie (3.5 Nm) hasta un máximo de 3 lb-pie (4 Nm). Consulte la Figura A.



MONTAJE DE LA HORQUILLA

- Para instalar la horquilla, pase el cable por el orificio desplazado del centro de la sección superior de la horquilla.
- Asegure la horquilla a la caja con cuatro tornillos Allen de 1/4-20 x 1/2". Utilice una llave Allen de 3/16" para ajustarlos a un mínimo de 2.2 lb-pie (3 Nm) hasta un máximo de 2.6 lb-pie (3.5 Nm).
- Monte la luminaria en el soporte deseado con un perno de 5/8" o dos de 1/2", arandela de seguridad y tuerca (no incluidos). Consulte la Figura B para ver un modelo del patrón de orificios del soporte de la horquilla.
- Para ajustar el ángulo de inclinación de la luminaria, utilice una llave Allen de 5/16" para aflojar los tornillos Allen de 3/8-16" de ambos lados del yugo. Mientras sostiene el peso de la luminaria, utilice una llave Allen de 5/32" para retirar el tornillo de fijación Allen de 10-24, ajuste al ángulo deseado y vuelva a instalar el tornillo de fijación en el orificio correspondiente. Vuelva a ajustar los tornillos de cabeza hexagonal a un mínimo de 2.5 lb-pie (3.5 Nm) hasta un máximo de 3 lb-pie (4 Nm). Consulte la Figura C.

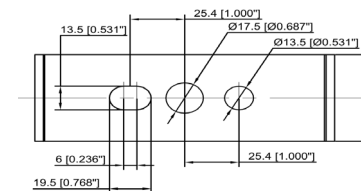


Figure C

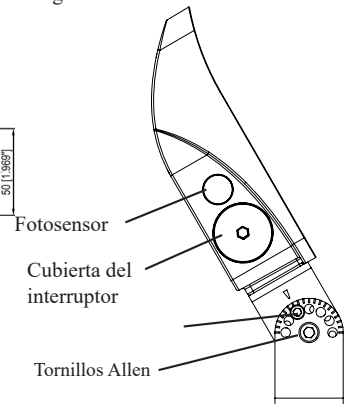


Figure D

PRECAUCIÓN: CABLEADO

Asegúrese de que la energía eléctrica esté desconectada.

Utilice el empalme plástico para conectar el cable de cobre desnudo o verde de conexión a tierra del suministro del edificio al cable verde de conexión a tierra de la luminaria. **Nota:** Si el cableado del edificio no incluye cables de conexión a tierra, consulte su código eléctrico local para informarse sobre los métodos de conexión a tierra aprobados.

Para una conexión adecuada, coloque el empalme plástico sobre los cables y gire a la derecha hasta ajustar.

Utilice un empalme plástico para conectar el cable blanco de la luminaria al cable blanco (neutro) de suministro del edificio. Utilice un empalme plástico para conectar el cable negro de la luminaria con el cable negro de suministro del edificio.

Conecte la electricidad en el fusible o caja del disyuntor y verifique si la instalación fue exitosa. **Nota:** Si el fotosensor está en posición ON, cubra la ventana del fotosensor para evitar que la luz del día entre en el sensor y permitir que las luces se activen durante el día.

Visor: se vende por separado.

- Con un destornillador de cabeza plana Philips, retire los tornillos preinstalados del lateral de la luminaria. Consulte la Figura D.
- Alinee los orificios para tornillos del visor con los orificios para tornillos en el lateral de la luminaria y atornillelos. Atornille solo con ajuste a mano.

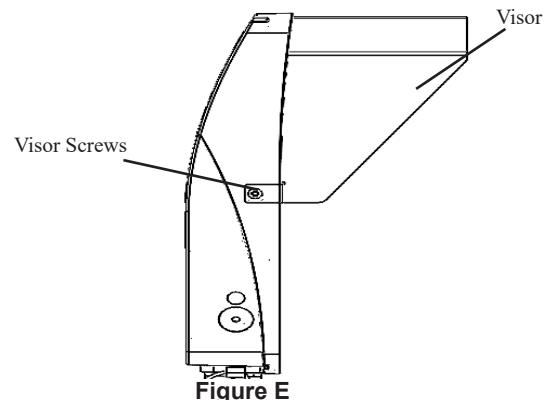


Figure E

VEUILLEZ LIRE ET RESPECTER TOUTES LES CONSIGNES DE SÉCURITÉ!

- Afin de réduire le risque de blessures personnelles ou de mort, ou d'endommager le matériel en raison d'un incendie, d'un choc électrique, de la chute de pièces, de coupures/abrasions ou de tout autre danger, lisez tous les avertissements et instructions compris dans et sur la boîte de la fixation et toutes ses étiquettes.
- Avant d'installer, d'entretenir ou de réaliser une maintenance de routine sur cet équipement, tenez compte de ces précautions générales.
- L'installation commerciale, l'entretien et les réparations des lampes ne devraient être effectuées que par un électricien diplômé et qualifié.
- Pour les installations résidentielles : Si vous avez des doutes quant à l'installation ou l'entretien des lampes, consultez un électricien diplômé et qualifié et vérifiez votre code de l'électricité local.
- Ce luminaire est conçu pour être connecté à une boîte de jonction certifiée UL, correctement installée et mise à la terre.
- Il sera occasionnellement nécessaire de nettoyer la partie extérieure du réflecteur/ de la lentille. Le réflecteur/la lentille doit être lavé(e) dans une solution d'eau tiède et avec un détergent ménager doux et non abrasif, puis rincé(e) à l'eau claire et essuyé(e). En cas d'accumulation de saletés à l'intérieur de l'ensemble optique, essuyez le réflecteur/la lentille et nettoyez comme indiqué ci-dessus, en remplaçant les joints endommagés selon le besoin.
- **N'INSTALLEZ PAS UN PRODUIT ENDOMMAGÉ !**
- Recyclage : pour des informations sur la manière de recycler les produits électroniques à DEL, veuillez vous rendre sur www.epa.gov.
- Ces instructions ne sont pas censées couvrir tous les détails ou variations de l'équipement ni fournir toutes les éventualités possibles en ce qui concerne l'installation, l'utilisation ou l'entretien. Si des informations supplémentaires devaient s'avérer nécessaires, ou si des problèmes particuliers se présentent et ne sont pas suffisamment repris pour l'acheteur ou du propriétaire, il conviendra de contacter Acuity Brands Lighting, Inc à ce sujet.



AVERTISSEMENT RISQUE DE CHOC ÉLECTRIQUE

- ▶ Débranchez ou coupez l'alimentation avant l'installation ou l'entretien.
- ▶ Vérifiez que la tension d'alimentation est correcte en la comparant avec les informations sur l'étiquette de la lampe.
- ▶ Réalisez tous les raccordements électriques et de masse conformément aux exigences du Code national de l'électricité et de tout code local applicable.
- ▶ Tous les raccordements câblés doivent être faits avec des connecteurs de câbles certifiés UL.



ATTENTION RISQUE DE BLESSURE

- ▶ Portez des gants et des lunettes de protection en permanence lorsque vous retirez la lampe du carton et que vous procédez à l'installation, à l'entretien ou à des réparations.
- ▶ Évitez le contact direct des yeux avec la source de lumière lorsqu'elle est allumée.



AVERTISSEMENT RISQUE DE BRÛLURE

- ▶ Laissez refroidir la fixation avant de la manipuler. Ne touchez pas l'enceinte ou la source de lumière.
- ▶ Ne dépassez pas la puissance maximum indiquée sur l'étiquette de la lampe.
- ▶ Respectez tous les avertissements, recommandations et restrictions du fabricant de lampe pour le circuit d'attaque, la position de fonctionnement, les méthodes/ endroits de montage, le remplacement et le recyclage.
- ▶ Utilisez uniquement les lampes qui sont conformes aux normes ANSI.



ATTENTION RISQUE D'INCENDIE

- ▶ Conservez les matériaux combustibles et tout autre élément pouvant prendre feu à l'écart de la lampe/lentille.
- ▶ Ne l'utilisez pas à proximité de personnes, de matériaux combustibles ou de substances affectées par la chaleur.



ATTENTION RISQUE D'ENDOMMAGEMENT DU PRODUIT

- ▶ Ne connectez jamais des composants sous charge.
- ▶ Ne montez ni soutenez pas ces fixations d'une manière qui pourrait sectionner la gaine extérieure ou endommager l'isolation de câble.
- ▶ Sauf si contraire aux spécifications du produit individuel : ne connectez jamais un produit à DEL directement à des packs de gradation de la lumière, des capteurs d'occupation, des dispositifs de minuterie ou d'autres dispositifs de commande liés. Les fixations DEL doivent être alimentées directement hors d'un circuit à interrupteur.
- ▶ Sauf si contraire aux spécifications du produit individuel : Sauf si contraire aux spécifications du produit individuel : ne pas limiter la ventilation de la fixation. Laissez un espace libre suffisant autour de la fixation. Évitez de couvrir les fixations DEL avec de l'isolation, de la mousse ou d'autres matériaux qui empêcheront le refroidissement de convection ou de conduction.
- ▶ Sauf si contraire aux spécifications du produit individuel : ne pas dépasser la température ambiante maximum à laquelle les fixations sont exposées.
- ▶ N'utilisez la fixation que dans l'emplacement prévu à cet effet.
- ▶ Les produits à DEL sont sensibles à la polarité. Assurez-vous que la polarité est correcte avant l'installation.
- ▶ Décharge électrostatique (DES) : les DES peuvent endommager les fixations DEL. Un équipement de mise à la masse personnel doit être porté lors de toute installation ou entretien de l'unité.
- ▶ Ne touchez pas les composants électriques individuels car cela peut causer une DES, réduire la durée de vie de la lampe ou altérer ses performances.
- ▶ Certains composants à l'intérieur de la fixation peuvent ne pas être réparables. Dans le cas peut probable où votre unité aurait besoin d'être réparée, arrêtez immédiatement d'utiliser l'unité et contactez un représentant ABL pour obtenir de l'aide.
- ▶ Les changements ou les modifications qui ne sont pas expressément approuvés par Acuity Brands Lighting pourraient rendre nulle et non avenue l'autorisation d'utiliser ce matériel.
- ▶ Lisez toujours les instructions d'installation complètes des fixations avant l'installation pour les autres avertissements spécifiques de la fixation.
- ▶ Assurer toujours que le système de distribution électrique répond aux exigences de NEC (et du code local applicable).
- ▶ Vérifier que le système de distribution électrique a une mise à la terre appropriée. Une mauvaise mise à la terre peut entraîner une défaillance du luminaire et annuler la garantie.

Tous les luminaires qui contiennent des dispositifs électroniques générant des fréquences supérieures à 9 kHz à partir d'un composant situé à l'intérieur du luminaire sont conformes à la partie 15 des règles de la Commission fédérale des communications. Son fonctionnement est assujéti aux deux conditions suivantes :

- (1) Ce dispositif ne doit générer aucune interférence préjudiciable.
- (2) Ce dispositif doit accepter n'importe quelle interférence reçue, y compris les interférences pouvant entraîner un fonctionnement non souhaité.

Ce dispositif est conforme à la partie 15 des règles de la Commission fédérale des communications, mais peut provoquer des interférences avec les téléphones sans fil et portables, les radios, les télévisions et d'autres dispositifs électroniques. Pour remédier à ce problème, placer le dispositif à l'écart du luminaire ou le brancher à une prise différente. Ce produit peut provoquer des interférences avec le matériel radio et ne doit pas être installé près d'équipements de communication maritime ou de tout autre équipement important de navigation ou de communication fonctionnant entre 0,45 et 30 MHz.

GARANTIE LIMITÉE DE 5 ANS

Tout manquement au respect de ces instructions pourrait rendre nulles les garanties. Pour une liste complète des conditions générales du produit, veuillez vous rendre sur www.acuitybrands.com. Acuity Brands Lighting, Inc. n'assume aucune responsabilité pour les réclamations découlant d'une installation ou d'une manipulation incorrectes ou négligentes de ses produits.

LISTE DES PIÈCES

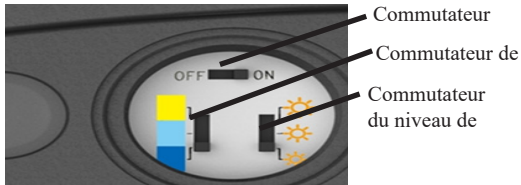
Description	Quantité
A Luminaire DEL	1
B Adaptateur d'emboîtement	1
C Fourche	1
D Vis de la visière	2

*Compris dans l'emballage de pièces

Retirer les composants de l'appareil et l'emballage des pièces. S'assurer que toutes les pièces sont incluses. **Note:** Faites attention aux petites pièces et détruisez le matériel d'emballage car ils pourraient être dangereux pour les enfants.

DÉFINIR LES PARAMÈTRES (FACULTATIF)

- Pour modifier les paramètres, utilisez une clé Allen de 3/16 po pour retirer le couvercle du commutateur situé sur le côté du luminaire (consultez la figure C). Définissez vos paramètres et remplacez le couvercle du commutateur. Serrez au minimum de 1,5 pi-lb (2 Nm) et au maximum de 1,8 pi-lb (2,5 Nm).
- Pour la luminosité, les paramètres d'usine sont réglés sur le soleil le plus brillant (50,000lm). Si vous souhaitez une couleur différente, sélectionnez le soleil moyen (40,000lm) et pour les luminosités les plus faibles, le soleil le plus faible (30,000lm).
- Pour la couleur, les paramètres d'usine sont réglés sur bleu clair (4000K); si vous souhaitez une couleur différente, sélectionnez bleu (5000K) pour la couleur la plus blanche et jaune (3000K) pour la moins blanche.



INSTALLATION DU LUMINAIRE

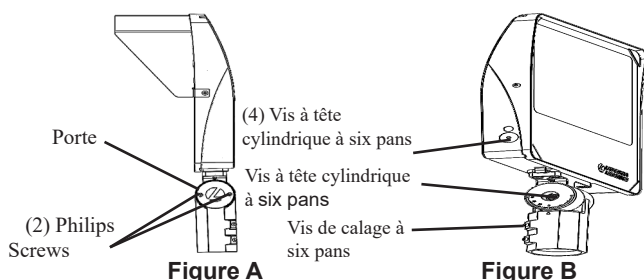
Pour une installation sur un boîtier de raccordement encastré ou en surface, résistant aux intempéries, correctement installé et mis à la terre, certifié UL.

Coupez l'alimentation au niveau du disjoncteur.

ATTENTION : Ne vous fiez pas uniquement à l'interrupteur mural pour couper l'alimentation.

SLIPFITTER MOUNT

- Pour installer l'adaptateur d'emboîtement : À l'aide d'un tournevis cruciforme Philips, enlevez les deux vis qui fixent la porte latérale à l'adaptateur d'emboîtement. Insérez le câble par la porte de l'adaptateur d'emboîtement (A).
- Pour installer l'adaptateur d'emboîtement, insérez le câble dans l'adaptateur d'emboîtement (B).
- Fixez l'adaptateur d'emboîtement sur le boîtier à l'aide de quatre vis à tête cylindrique à six pans de 1/4-20 x1/2 po. Utilisez une clé Allen 3/16 po pour serrer au minimum de 2,2 pi-lb (3 Nm) et au maximum de 2,6 pi-lb (3,5 Nm).
- Effectuez le raccordement électrique, consultez les instructions de câblage.
- Placez l'ensemble de l'adaptateur d'emboîtement sur le tenon de diamètre extérieur maximum 2-3/8 po. Fixez l'adaptateur d'emboîtement sur le tenon en serrant les quatre vis de calage à six pans de 5/16-18 au minimum de 1,5 pi-lb (2 Nm) et au maximum de 1,8 pi-lb (2,5 Nm) à l'aide d'une clé Allen de 5/32 po.
- Pour régler l'angle d'inclinaison du luminaire, desserrez la vis à tête cylindrique 3/8-16 de l'articulation à l'aide d'une clé Allen de 5/16 po, tournez le luminaire jusqu'à l'angle souhaité et resserrez au minimum de 2,5 pi-lb (3,5 Nm) et au maximum de 3 pi-lb (4 Nm). Consultez la figure A.



MONTAGE DE LA FOURCHE

- Pour installer la fourche, faites passer le câble par le trou central décalé de la partie supérieure de la fourche.
- Fixez la fourche sur le boîtier à l'aide de quatre vis à tête cylindrique de 1/4-20 x1/2 po. Utilisez une clé Allen 3/16 po pour serrer au minimum de 2,2 pi-lb (3 Nm) et au maximum de 2,6 pi-lb (3,5 Nm).
- Montez le luminaire sur le support souhaité à l'aide d'un boulon de 5/8 po ou de deux boulons de 1/2 po, une rondelle de blocage et un écrou (non fournis). Consultez la figure B pour un exemple de modèle de support de fourche.
- Pour régler l'angle d'inclinaison du luminaire, utilisez une clé Allen de 5/16 po pour desserrer les vis à tête cylindrique de 3/8-16 po situées des deux côtés de la fourche. Tout en soutenant le luminaire, utilisez une clé Allen 5/32 po pour retirer la vis à tête cylindrique à six pans n° 10-24, réglez jusqu'à l'angle souhaité et réinstallez la vis de calage dans le trou correspondant approprié. Resserrez les vis à tête hexagonale au minimum de 2,5 pi-lb (3,5 Nm) et au maximum de 3 pi-lb (4 Nm). Consultez la figure C.

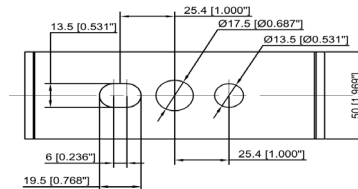


Figure C

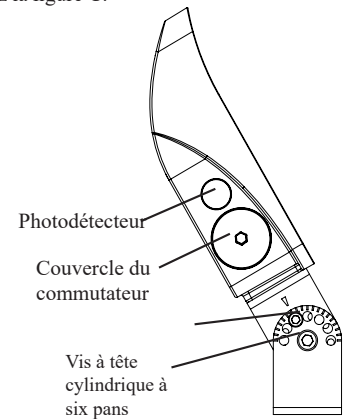


Figure D

ATTENTION : CÂBLAGE

Veillez à couper l'alimentation.

- Utilisez le capuchon de connexion pour connecter le fil de mise à la terre en cuivre nu, ou de mise à la terre vert pour l'alimentation de la maison, au fil de mise à la terre vert du luminaire. **Remarque :** Si le câblage de la maison ne comprend pas de mise à la terre, consultez votre code de l'électricité local pour connaître les procédures de mise à la terre agréées.

Pour une connexion correcte, placez les capuchons de connexion sur les câbles et tournez dans le sens horaire jusqu'à ce qu'ils soient serrés.

- Utilisez un capuchon de connexion pour raccorder le fil blanc du luminaire au fil d'alimentation blanc (neutre) de la maison.
- Utilisez un capuchon de connexion pour raccorder le fil noir du luminaire au fil d'alimentation noir de la maison.

Remettez le courant au niveau du tableau de fusibles ou du disjoncteur et assurez-vous que l'installation fonctionne correctement. Remarque : Si le photodétecteur est en position MARCHE, couvrez-en la fenêtre pour empêcher la lumière du jour de pénétrer dans le détecteur et permettre l'activation des lumières pendant la journée.

Visière – vendue séparément

- À l'aide d'un tournevis cruciforme Philips, enlevez les vis préfixées sur le côté du luminaire. Consultez la figure D.
- Alignez les trous de vis de la visière avec les trous de vis sur le côté du luminaire et visez. Serrez uniquement à la main.

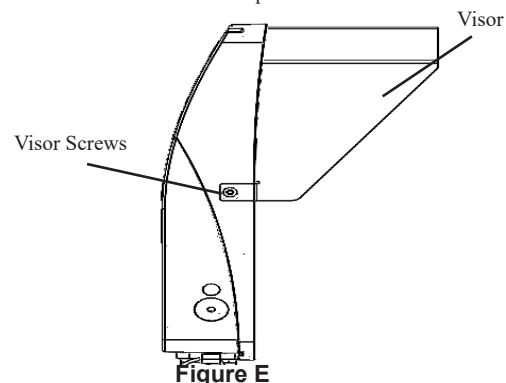


Figure E

Trouble Shooting Guide

If this fixture fails to operate properly, use the guide below to diagnose and correct the problem.

1. Verify that power is turned on at switch and breaker
2. Verify that line voltage is correct
3. Check wiring and connections.
4. Verify photocell setting

If further technical assistance is required, contact:

Technical Support at: (800) 705-7378

Cleaning and Maintenance

Caution: Be sure fixture temperature is cool enough to touch. Do not clean or maintain while fixture is energized.

This LED light provides low maintenance service with no bulbs to change. Clean surfaces with mild soap and water. Do not use abrasive materials such as scouring pads or powders, steel wool or abrasive paper.

WARNING: There are no user serviceable parts inside fixture.

Guía de Localización de Averías

Si este luminario falla de operar apropiadamente, use la siguiente guía para diagnosticar y corregir el problema.

1. Compruebe que el suministro de energía esté conectado al interruptor y al disyuntor.
2. Verifique que la línea de voltaje sea correcta.
3. Revise el cableado y las conexiones
4. Verifique la configuración de la fotocélula

Si requiere ayuda adicional, contacte:

Technical Support al: (800) 705-7378

Limpieza y mantenimiento

Precaución: Asegúrese de que la temperatura del aparato es lo suficientemente fría para tocarlo. No limpie ni realice mantenimiento mientras el aparato está encendido.

Esta lámpara LED con necesita muy poco mantenimiento y no es necesario cambiar los focos. Limpie las superficies con un limpiador suave no abrasivo.

ADVERTENCIA: La cabeza de la lámpara no contiene piezas que el usuario puede reparar. No retire ni desarme la cabeza de la lámpara. Esto anularía la garantía

Guide de dépannage

Si l'appareil ne fonctionne pas adéquatement, veuillez vous servir du guide ci-dessous afin d'identifier et corriger le problème.

1. Vérifier que l'alimentation électrique est sous tension au niveau du commutateur et du disjoncteur.
2. Vérifier que la tension de la ligne est correcte.
3. Vérifier les fils et les raccordements.
4. Vérifiez les paramètres de la cellule photoélectrique

Pour toute autre assistance, veuillez contacter nos services de support technique: **le soutien technique au: (800) 705-7378**

Nettoyage et entretien

Attention : S'assurer que la température du luminaire est assez basse pour le manipuler. Ne pas procéder à une opération de maintenance ou de nettoyage lorsque le luminaire est sous tension.

Cette lampe à DEL nécessite peu d'entretien et il n'y a aucune ampoule à changer. Nettoyez les surfaces avec un produit doux non abrasif. **AVERTISSEMENT:** Il n'y a aucune pièce réparable à l'intérieur de chaque projecteur.