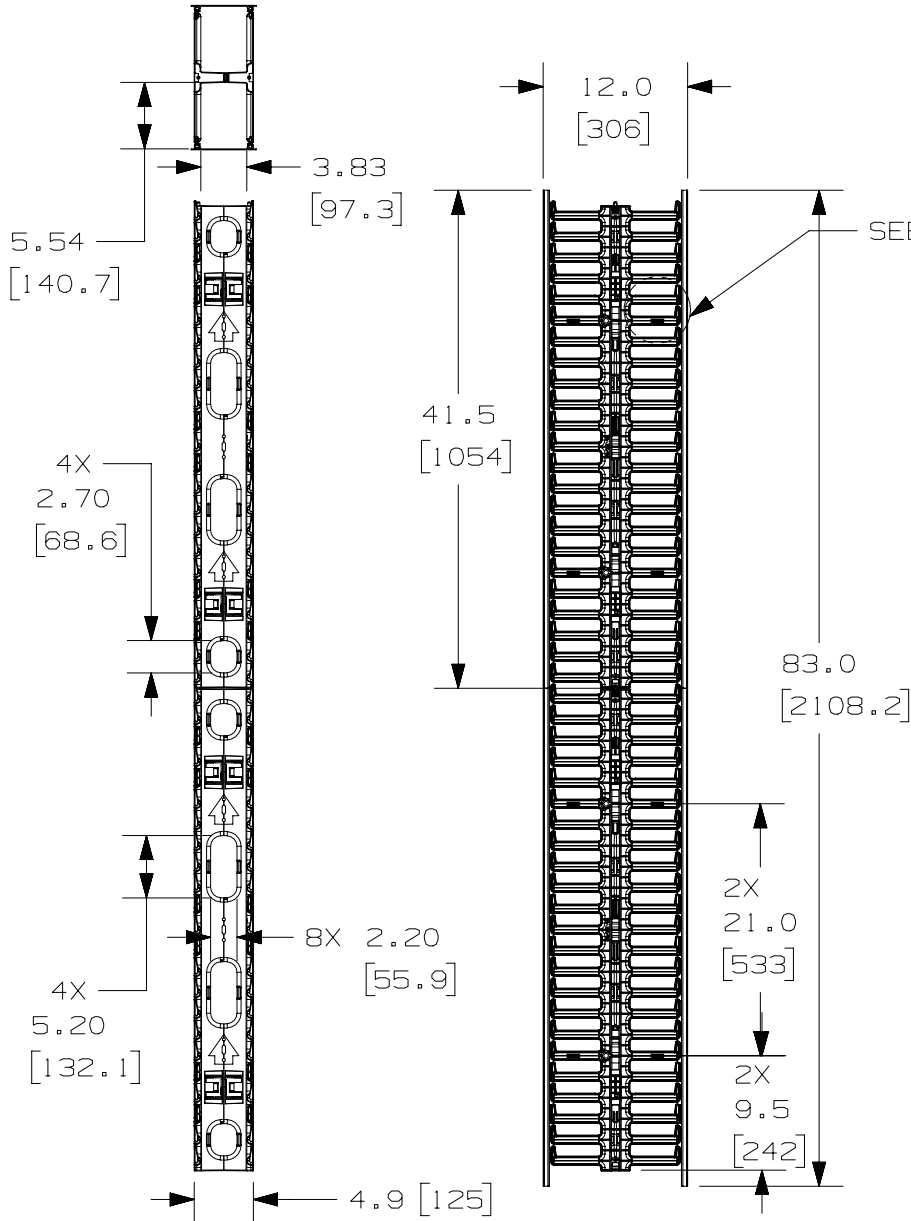
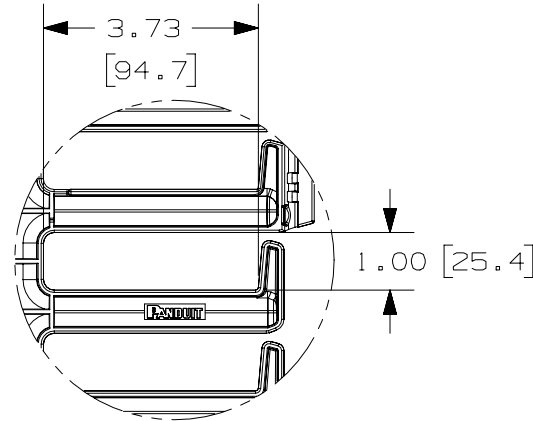


THIS COPY IS PROVIDED ON A RESTRICTED BASIS AND IS NOT TO BE USED IN ANY WAY DETRIMENTAL TO THE INTERESTS OF PANDUIT CORP.



SEE DETAIL A



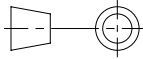
DETAIL A

PANDUIT P/N	WEIGHT
WMPV45E	21.0 LBS/EACH 9.52 Kg/EACH

NOTES:

- VISIT OUR ON-LINE CATALOG AT WWW.PANDUIT.COM FOR A CURRENT LIST OF PRODUCTS APPLICABLE FOR USE WITH THIS PART.
- COMPONENTS:
 - 2- 22.5RU CABLE MANAGEMENT SECTIONS
 - 4- 41.5" DUAL HINGE COVERS
 - 4- MOUNTING BRACKETS
 - 8- #12-24 X 1/2" SCREWS
- DIMENSIONS IN PARENTHESES ARE METRIC.

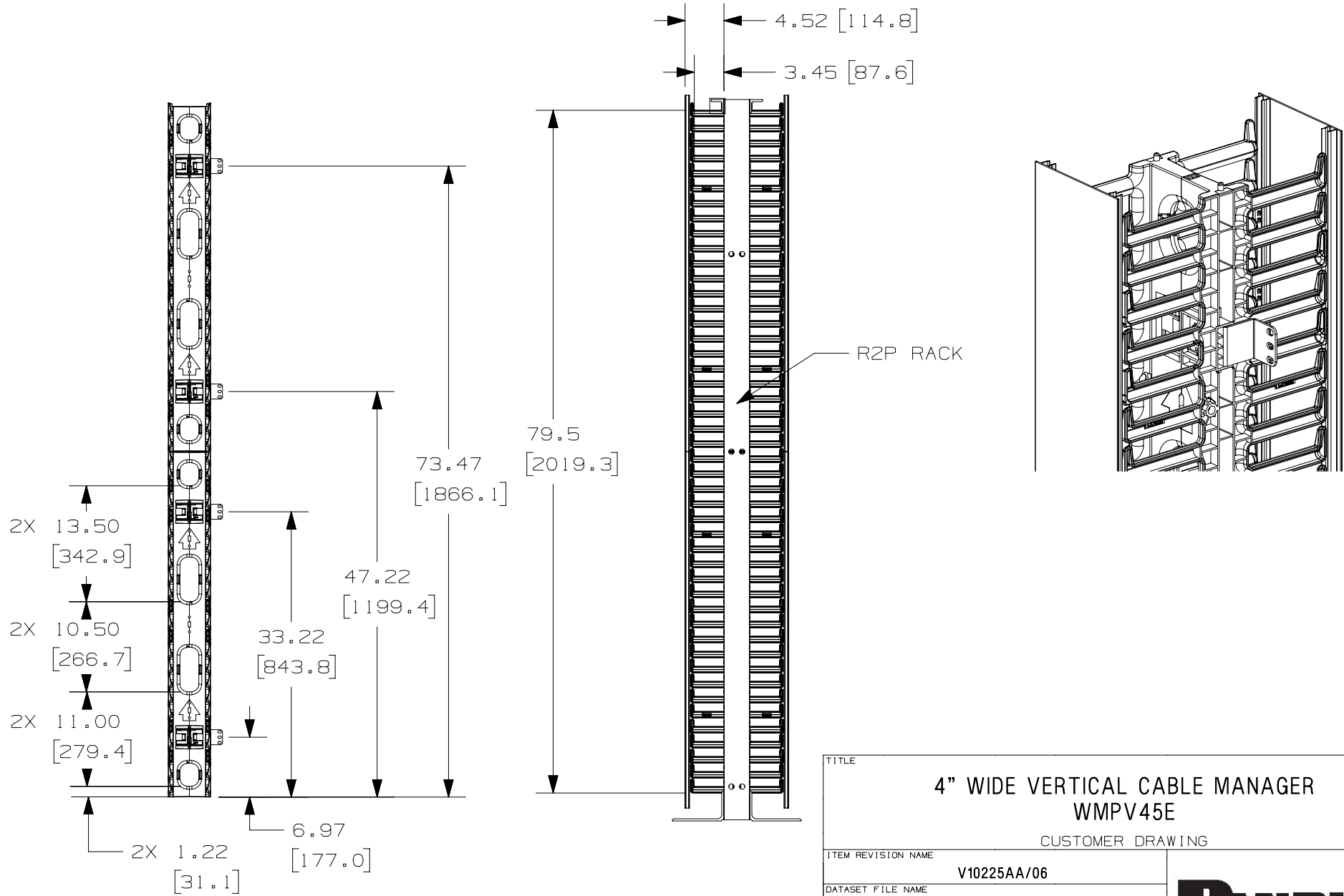
MAX STORAGE TEMPERATURE 65°C (149°F)
MAX OPERATING TEMPERATURE 60°C (140°F)

TITLE					
4" WIDE VERTICAL CABLE MANAGER WMPV45E					
CUSTOMER DRAWING					
ITEM REVISION NAME	V10225AA/06				
DATASET FILE NAME	V10225AA_DC/06A				
 THIRD ANGLE PROJECTION					
MATERIAL	CABLE MANAGER- ABS COVER- PVC				
DRAWING NUMBER	10225-23				
DRAWN BY	DATE	CHK	SCALE	SHEET	SIZE
JDWE	3-15-05	TCK	NONE	SHEET 1 OF 2	A

REV	DATE	BY	CHK	APR	DESCRIPTION	ECN
06A	5-13-20	JBO	JCO	JEKF	CHANGED SUGGESTED RACK FROM CMR19X84 TO R2P ADDED TEMPERATURE NOTE	10225-23

A-SIZE CUSTOMER

THIS COPY IS PROVIDED ON A RESTRICTED BASIS AND IS NOT TO BE USED IN ANY WAY DETRIMENTAL TO THE INTERESTS OF PANDUIT CORP.



TITLE		4" WIDE VERTICAL CABLE MANAGER WMPV45E	
ITEM REVISION NAME		CUSTOMER DRAWING	
DATASET FILE NAME		V10225AA/06	
MATERIAL		CABLE MANAGER- ABS COVER- PVC	
DRAWN BY		DATE	
JDWE		3-15-05	
CHK		SCALE	
TCK		NONE	
DRAWING NUMBER		10225-23	
SHEET 2 OF 2		A	

06A	5-13-20	JBO	JCO	JEKF	REFER TO SHEET 1 FOR REVISION CONTROL	10225-23
REV	DATE	BY	CHK	APR	DESCRIPTION	ECN

A-SIZE CUSTOMER

2

1

2

1