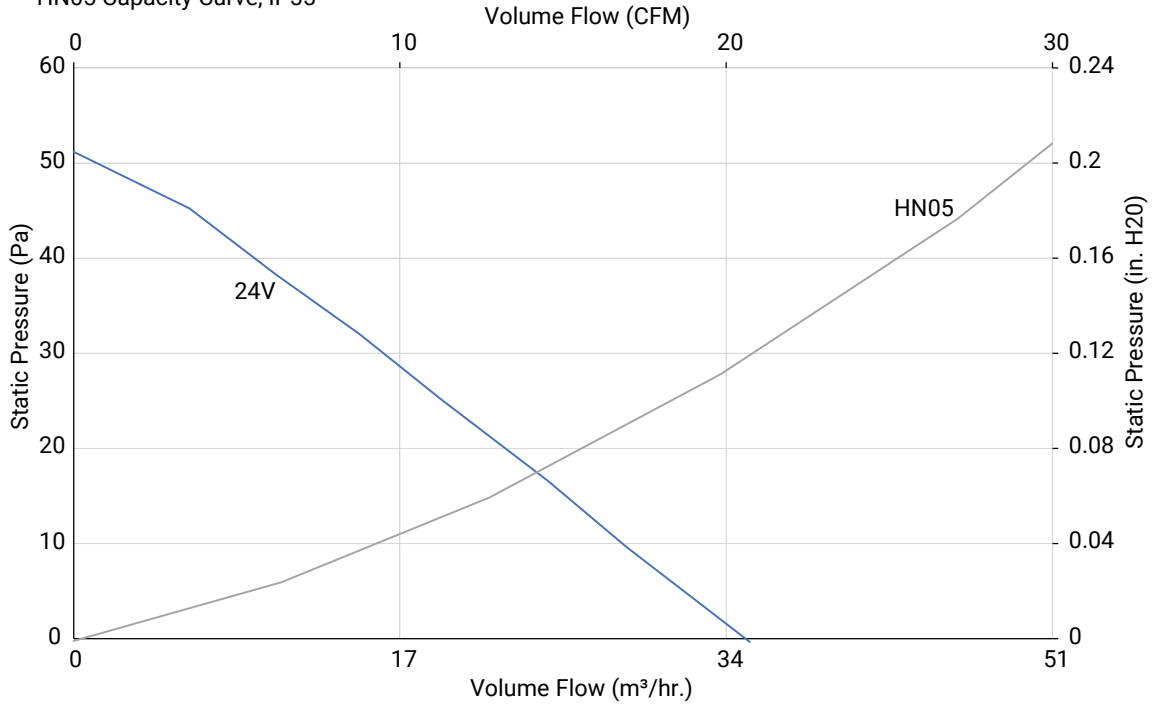


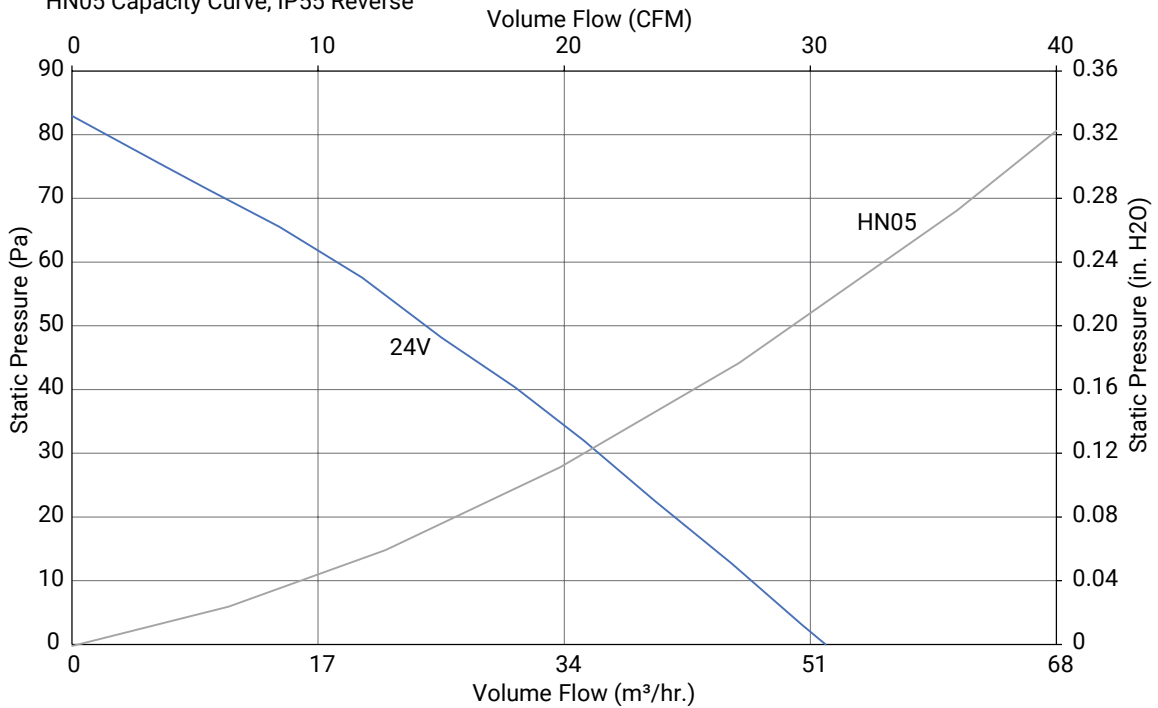
Performance Curves HN05 Models 24VDC 21 CFM (35 m³/hr.) 3R Side-Mount Filter Fans

HN05 Capacity Curve, IP55

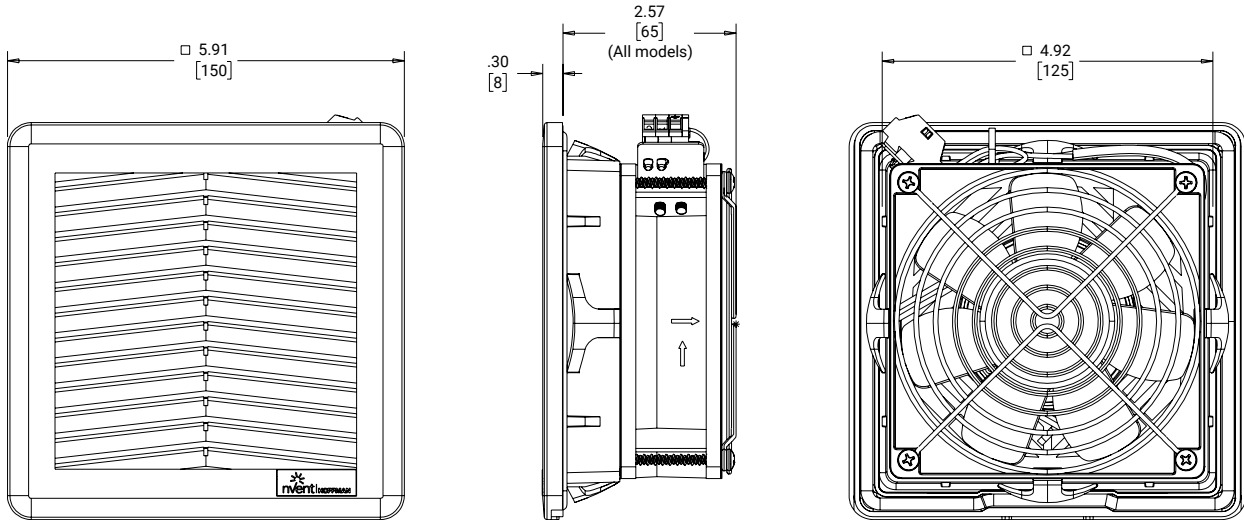


Performance Curves HN05 Reverse Models 24VDC 31 CFM (53 m³/hr.) 3R Side-Mount Filter Fans

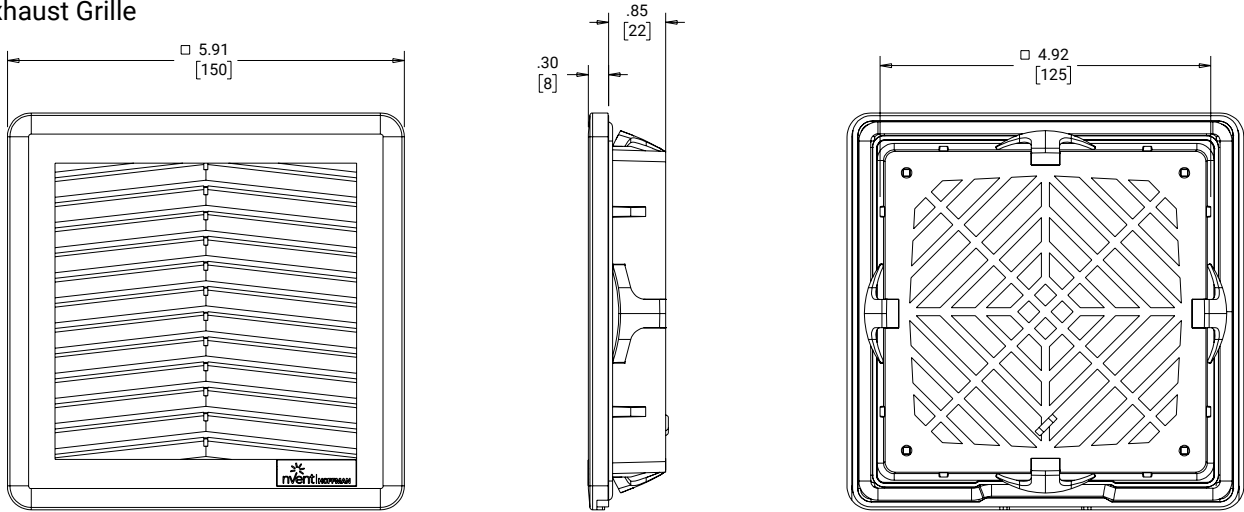
HN05 Capacity Curve, IP55 Reverse



HN05 Standard Airflow Side-Mount Filter Fans

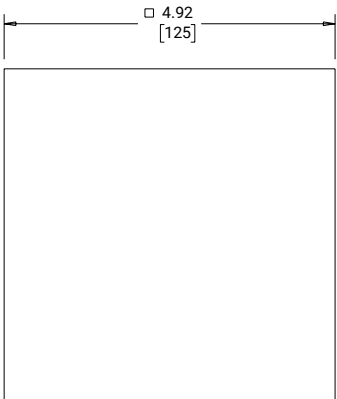


Exhaust Grille



Order exhaust grille kits separately.

89230655



Cutout Dimensions
 Inch Tolerance: +0.06 / -0
 [mm] Tolerance: +1.5 / -0

Performance Data **HN08 3R Filter Fans**

ELECTRICAL DATA				
Rated Voltage	115	230	24*	24* Reverse**
Frequency (Hz)	50/60	50/60	—	—
Nominal Current Maximum (Amps)	0.20/0.18	0.13/0.11	0.34	0.34
Power Consumption Maximum (Watts)	16/15	19/17	8.2	8.2
Power Connection	Screwless Terminal Block			
TYPE 3R / IP55 FILTER FANS				
RAL 9005 Black:				
Catalog Number	HN0816513	HN0826513	HN0824513	HN0824513R
Free Airflow (CFM / m ³ /hr.)	65/110	65/110	50/85	59/100
Airflow with Exhaust Grille (CFM / m ³ /hr.)	44/75	44/75	33/56	41/70
FILTER FAN UNIT CONSTRUCTION				
Fan RPM	3100	3100	2860	2860
Sound Pressure (dBA at 50/60 Hz)	40/44	40/44	42	42
Operating Temperature Range:				
Maximum (°F / °C)	131/55	131/55	131/55	131/55
Minimum (°F / °C)	14/-10	14/-10	14/-10	14/-10
Service Life (hours) at 40 C	70,000	70,000	96,000	96,000
Unit Dimensions - H x W x D (in. / mm)	8.03x8.03x3.76 / 204x204x96			
Cutout Dimensions - H x W (in. / mm)	6.97x6.97 / 177x177			
Weight (lb. / kg)	2.71/1.23	2.71/1.23	1.90/0.86	1.90/0.86
TYPE 3R / IP55 EXHAUST GRILLES				
RAL 9005 Black:				
Catalog Number	HN0800503	HN0800503	HN0800503	HN0800503
ACCESSORIES				
Replacement Filters:				
Filter Catalog Number	98136408R	98136408R	98136408R	98136408R
Thermostat Catalog Number (°F)	THERM16F	THERM26F	—	—
Thermostat Catalog Number (°C)	THERM16C	THERM26C	—	—

Above airflow rates at 60 Hz; see performance curves for airflow at 50 Hz and more details.

Unit depth is of the entire unit. Further dimensional detail below.

Exhaust Grilles sold separately.

* This indicates a DC Voltage.

** Reverse airflow fan.

 Performance Curves HN08 Models 115/230V 65 CFM (110 m³/hr.) 3R Side-Mount Filter Fans
