



LBL-KDB-1

Kinetic Doorbell Set with Plug-In Receiver



No Wires & Batteries Required

DESCRIPTION

Wireless Kinetic Doorbell Set that employs micro-energy acquisition technology to provide battery-free installation

FEATURES & BENEFITS

Wireless & Batteryless

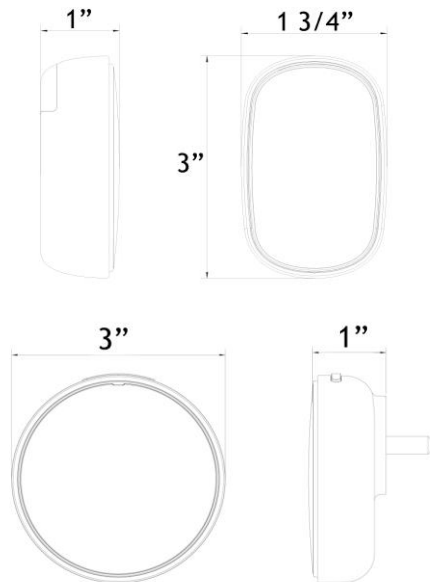
Waterproof Transmitter for Outdoor Installation

Pair multiple units together

Choose from 38 melodies with 4 levels of volume, plus a flashing light

True Plug & Play Installation & Operation:

Mount the Transmitter, Plug the Receiver & Ring the Bell



ORDERING GUIDE

Set or Transmitter and Plug-in Receiver **LBL-KDB-1**

Transmitter Only **LBL-KDB-T1**

Plug-in Receiver Only **LBL-KDB-R1**

Optional:

Hard Wired Doorbell Receiver [LBL-KDB-R2](#)

Kinetic Door Sensor [LBL-KDS](#)



Project: _____

Location: _____

Qty: _____

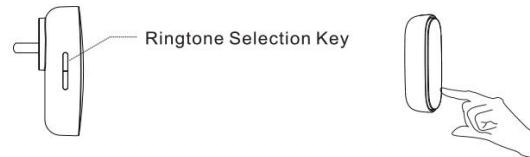
Notes: _____

SPECIFICATION	
Applications	Homes, Multi-Family, Workshops, etc.
Receiver Input Voltage	100 - 240V AC
Energy Used by Receiver	idle 0.1 W, while ringing 0.6 W
Volume Levels	4
Ringtones	38
Pairing Capacity	up to 100 receivers to 1 transmitter
	up to 10 transmitters to 1 receiver
Operation Range	100 feet
Frequency	433 MHz
Operating Temperature	Receiver: -10°C to + 55°C (14°F to 130°F)
	Transmitter: -40°C to + 55°C (-40°F to 130°F)
Approved Location	Receiver: Indoor only
	Transmitter: Outdoor IP67
Certifications	c ETL us, FCC
Warranty	2 Year

Pairing: _____

The Transmitter and Receiver in your package are already paired.

To pair more than one follow the steps below:



1. Press the Ringtone Selection Key for 3 seconds and release when the indicator light starts blinking
2. Press the Transmitter once. The indicator light on the Receiver will turn off and the pairing is complete

Deleting Pair: _____

The pairing will be deleted by pressing the Ringtone Selection Key for 10 seconds until the indicator light stops blinking and is constantly on

Silent Mode: _____

To activate Silent Mode, press the Ringtone Selection Key for 8 seconds and release when the indicator light stops blinking and is constantly on
To deactivate Silent Mode: repeat the above steps

Note: Could be used in combination with the Hard Wired Receiver & Kinetic Door Sensor (will sound when door opens or closes)

