

Series Spec Sheet

RMPN

PLASTIC RUNNING MAN

LED 120-347 VAC Input

The RMPN series of commercial or decorative plastic running man signs is designed using durable and lightweight high impact thermoplastic.

FEATURES AND SPECIFICATIONS

• Circuitry - AC & AC/DC

- LED ultra bright light source
- 120 - 347 VAC Input
- 120 - 347 V/0.08 A/3 W max power consumption
- Emergency DC wattages as follows :
 - 6 VDC = 2 W,
 - 12 VDC = 2 W,
 - 24 VDC = 2 W.

• Circuitry - Self-Powered

- LED ultra bright light source
- 120 - 347 VAC Input
- 120 - 347 V/0.044 A/4 W max power consumption
- Ambient temperature 10°C to 35°C
- High-performance, sealed Ni-Cad battery
- 120 Minutes emergency duration (standard)
- Solid state transfer and battery charger

• Mechanical

- High impact, UV stabilized, thermoplastic construction
- Quick snap faceplates and universal canopy for rapid and simple installation
- Flush wall mount backplate included

• Compliances

- CSA Certified to C22.2 #141.15, C860
- Meets requirements of ICES-005



quick
ship



LED
fixture



ICES
005



Energy Verified
Energie Verifiee

For complete warranty details, please see our terms and conditions in our website

TYPICAL SPECIFICATION



TYPICAL SPECIFICATION

Supply and install Stanpro RMPN Series, high impact thermoplastic Running Man Exit Signs. The sign shall operate with AC/DC field selectable 120 to 347 V AC minimum of 120 minutes upon AC failure. The face shall be illuminated by using Nichia LED ultra-bright light source. The sign shall be suitable for wall, end, or ceiling mount and come complete with 3 Running Man fibers for universal direction. The frame and back plate shall be of a field adjustable tapered or flat plastic construction. The sign shall be CSA C22.2 141-15 certified and ICES compliant. The thermoplastic sign shall be Stanpro model number RMPN_____

Data is based upon tests performed in a controlled environment. Actual performance can vary depending on operating conditions. All products are subject to change or may be discontinued any time without notice.

QUICK SHIP AND TECHNICAL SPECIFICATION TABLE 🕒¹

| Part number | DC Volts (VDC) | Nbr of faces | Light source | Input Volts (VAC) | Color |
|---------------|----------------|--------------|--------------|-------------------|-------|
| RMPNOWH-IB1-S | IB1 | Universal | LED | 120 - 347 | White |
| RMPNOWH-UDC-S | UDC | Universal | LED | 120 - 347 | White |

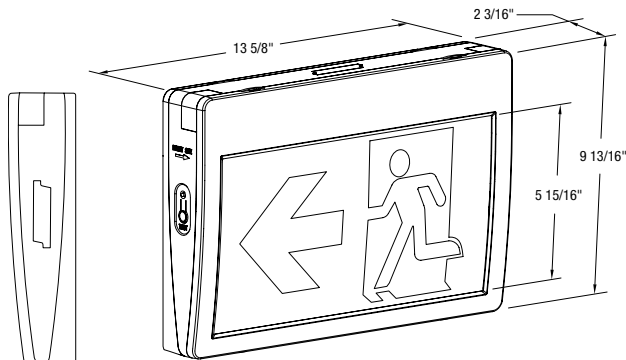
¹ **QUICK SHIP:** Product availability is subject to change without notice. Please contact your Stanpro customer service representative to confirm inventory levels at time of order.

ACCESSORIES (order separately)

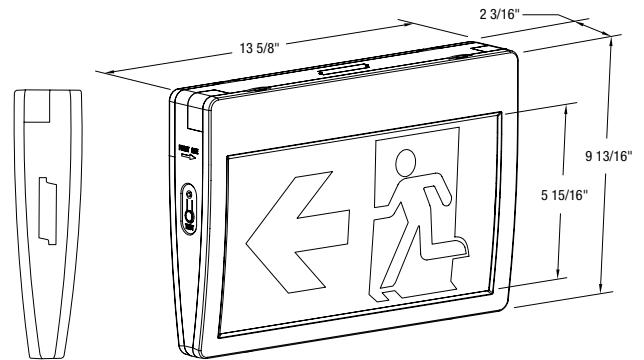
| Part number | Type |
|-------------|----------------------------|
| FIBER-RMPN | Running man fiber no arrow |

DIMENSIONS

FLUSHED MOUNT



TAPERED MOUNT



CONFIGURATIONS



Comes standard with three pictogram legends for direction selection.



For double face no arrow options, please order the RMPN along with the following fiber: FIBER-PN-NP.

Data is based upon tests performed in a controlled environment. Actual performance can vary depending on operating conditions. All products are subject to change or may be discontinued any time without notice.