



LSD04

LED Step Light Vertical with Motion Sensor & Photocell



Project: _____

Location: _____

Model: _____ Qty: _____

Notes: _____

DESCRIPTION

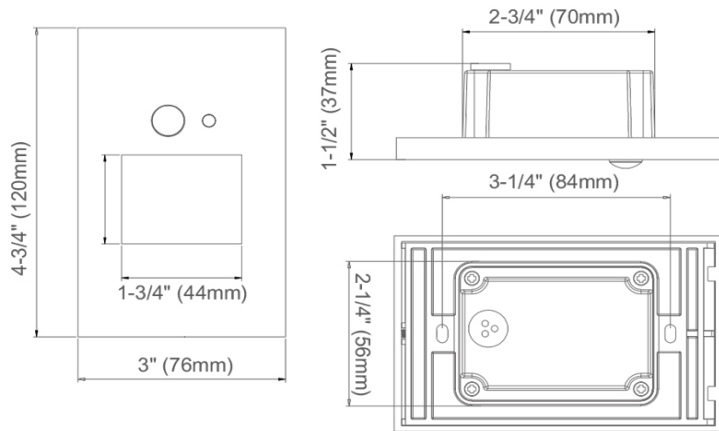
Step Light Vertical with integrated Motion Sensor & Photocell
 Hi light stairs, walls, walkways, hallways
 Occupancy sensor turns ON in low light only and when motion is detected and will turn OFF after 1 minute when no motion detected

FEATURES & BENEFITS

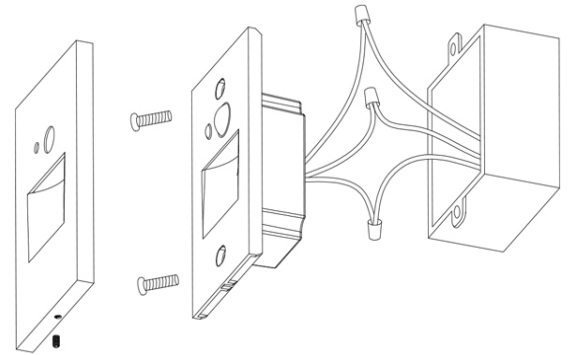
- 2.5W total power consumption
- No remote driver needed
- Fits into 2" x 4" junction box
- ETL listed for wet locations
- Indoor & Outdoor Use

SPECIFICATION	
Applications	Stairways, Walkways, Patios, Decks
Energy Used (W)	2.5 W
Color Temperature (K)	3000 K
Light Output (lm)	80 lm
Halogen Equivalent	10 W
CRI	90 +
Input	120 V AC
Dimming	Not dimmable
Ambient Temperature	-4°F (-20°C) to +104°F (+40°C)
Approved Location	Wet & Dry
Projected Life	70% Light Output at 50,000 Hours
Certification	cETLus
Warranty	5 Year

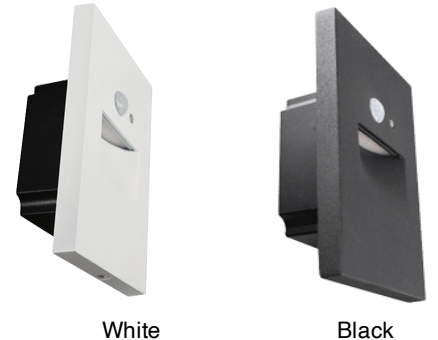
DIMENSIONS 4 3/4" x 3" Faceplate Thickness 5/16"



INSTALLATION



Trim Options



ORDERING GUIDE

LSD04-3K-WH 3000K White Trim

LSD04-3K-BK 3000K Black Trim

Other Light and Trim Colors Available
 By Custom Order

Lotus LED Lights USA

250 H Street # 301, Blaine WA 98230 tel 360-200-5500
 Hainesport NJ, Naples FL, Dallas TX, Vancouver WA

www.LotusLEDLights.com

Lotus LED Lights CANADA

800-15355 24 Ave Box 200, Surrey BC V4A 2H9 tel 604-538-3090
 Delta BC & Mississauga ON