



Up To
5 Years
Warranty

IP53-RDC4SD

Project:	Type:	QTY:
Product Code:		

Ø4"



Product Code

IP53-RDC4SD-TRIM COLOR	REFLECTOR COLOR	LAMP	VOLTAGE	OPTIONS
W* =white A =aluminum B =black CC =custom color	WC =white cone SC* =mat silver cone BC =black cone	WW27 =2700K WW30* =3000K DTW320=dim to warm 3000K→2000K	120 =120VAC 120D10=120VAC 0-10 control	125TCA =1.25" thick ceiling adaptor RDC4TP* =mounting template

Note: * Components usually in-stock for quick assembly and shipping.

Features + Specifications

Intended Use:

- Building interior
- Designed for high visual comfort in residential application
- Damp location listed
- **IC rated**, approved and tested for direct contact with insulation materials

Construction:

- Die-cast aluminum one piece trim
- Die-cast aluminum heat sink
- Precision Optical upper reflector cone with clear tempered glass lens
- Lower reflector cone for high visual comfort
- Heavy duty installation springs ensure tight fitting to ceiling

Finish:

- Powder coat paint finish

Optical System:

- COB technology on aluminum PCB
- **980+** delivered lumens with **90** CRI
- 50000 hrs L70 TM21 with LM80 certificate
- **38°** beam spread controlled by COB reflector
- Entire LED engine sealed off by clear tempered glass lens
- 2700K, 3000K CCT + Dim To Warm lamp color

Specifications subject to change without notice



Certified to CSA C22.2 No.250.0 Conformed to UL 1598 | Certification marks (where applicable) will be found on our luminaires and its components

iplighting.com



IP53-RDC4SD

Custom Lighting Design & Manufacture

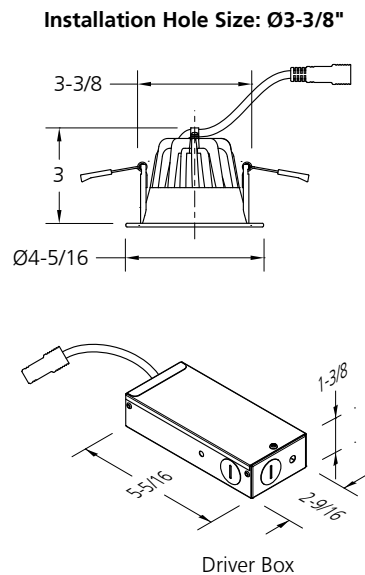
Electrical System:

- Constant current drive technology
- HPF, high efficiency designs, 12W system watt
- 120V line voltage dimmable with most dimmers
- Short circuit and overheat protected, RoHS compliant
- **Driver box accommodate up to 4 No.12 AWG wires**

Mounting:

- Ceiling recessed mount
- Optional mounting plate

Dimension:



Accessories:

