

Project: _____ Type: _____

Drawn by: _____ Catalogue #: _____ Date: _____

Individual Spec Sheet

FLL

BRONZE SLIPFITTER AND WALL MOUNT ADAPTER 150-300W

ORDERING INFORMATION

Order code: 69812
Description: Slipfitter and wall mount adapter 150-300W
UPC: 069549030312
Case quantity: 10

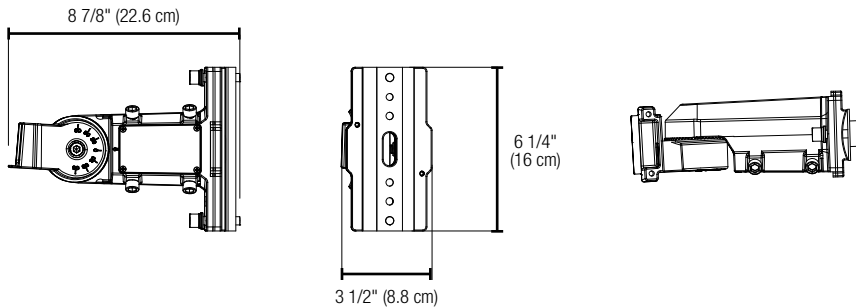
PHYSICAL DATA

Type: Slipfitter and wall mount adapter
Material: Diecast aluminum
Finish: Bronze
Length: 8 7/8" (226 mm)
Width: 6 5/16" (160 mm)
Height: 3 7/16" (88 mm)
Weight: 2.6

COMPATIBLE WITH

Order code	Model number
69796	FLLS-PS150W-Q3CBR
69797	FLLM-PS300W-Q3CBR

DIMENSIONS



Qty	Description	Price

I accept the specifications of the accessory configuration mentioned above.

Name: _____

Company: _____

Signature: _____

Date: _____

Data is based upon tests performed in a controlled environment. Actual performance can vary depending on operating conditions. All products are subject to change or may be discontinued any time without notice.