

Project: _____ Type: _____

Drawn by: _____ Catalogue #: _____ Date: _____

Individual Spec Sheet

FLL

BLACK SLIPFITTER 450W

ORDERING INFORMATION

Order code: 69819
Description: Slipfitter 450W
UPC: 069549030381
Case quantity: 10

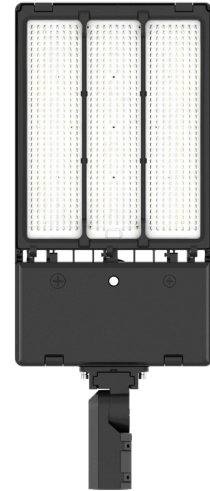
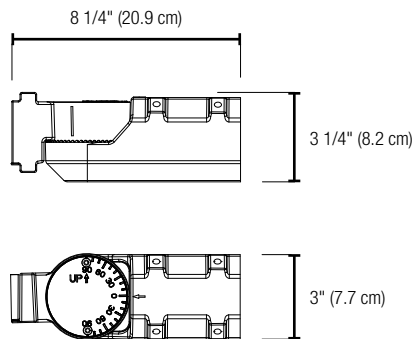
PHYSICAL DATA

Type: SLIPFITTER
Material: Diecast aluminum
Finish: Black
Length: 8 1/4" (209 mm)
Width: 3 1/4" (82 mm)
Height: 3" (77 mm)
Weight: 2.1

COMPATIBLE WITH

Order code	Model number
69801	FLLL-PS450W-Q3CBK

DIMENSIONS



Qty	Description	Price

I accept the specifications of the accessory configuration mentioned above.

Name: _____
 Company: _____
 Signature: _____

Date: _____

Data is based upon tests performed in a controlled environment. Actual performance can vary depending on operating conditions. All products are subject to change or may be discontinued any time without notice.