

Project: \_\_\_\_\_ Type: \_\_\_\_\_

Drawn by: \_\_\_\_\_ Catalogue #: \_\_\_\_\_ Date: \_\_\_\_\_

## Individual Spec Sheet

# FLL

## BRONZE SLIPFITTER AND WALL MOUNT ADAPTER 450W

### ORDERING INFORMATION

**Order code:** 69813  
**Description:** Slipfitter and wall mount adapter 450W  
**UPC:** 069549030329  
**Case quantity:** 10

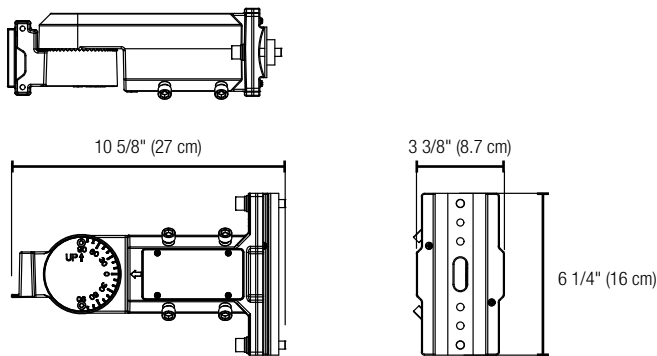
### PHYSICAL DATA

**Type:** Slipfitter and wall mount adapter  
**Material:** Diecast aluminum  
**Finish:** Bronze  
**Length:** 10 5/8" (270 mm)  
**Width:** 6 5/16" (160 mm)  
**Height:** 3 7/16" (87 mm)  
**Weight:** 2.6

### COMPATIBLE WITH

Order code	Model number
69798	FLLL-PS450W-Q3CBR

### DIMENSIONS



Qty	Description	Price

I accept the specifications of the accessory configuration mentioned above.

Name: \_\_\_\_\_

Company: \_\_\_\_\_

Signature: \_\_\_\_\_

Date: \_\_\_\_\_

Data is based upon tests performed in a controlled environment. Actual performance can vary depending on operating conditions. All products are subject to change or may be discontinued any time without notice.