

Project: _____ Type: _____

Drawn by: _____ Catalogue #: _____ Date: _____

Individual Spec Sheet

FLL

BRONZE SLIPFITTER 150-300W

ORDERING INFORMATION

Order code: 69809
Description: Slipfitter 150-300W
UPC: 069549030282
Case quantity: 10

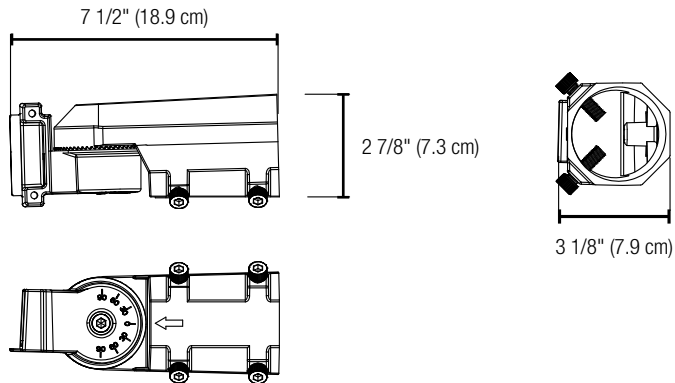
PHYSICAL DATA

Type: SLIPFITTER
Material: Diecast aluminum
Finish: Bronze
Length: 7 7/16" (189 mm)
Width: 3 1/8" (79 mm)
Height: 2 7/8" (73 mm)
Weight: 2.3 lbs

COMPATIBLE WITH

Order code	Model number
69796	FLLS-PS150W-Q3CBR
69797	FLLM-PS300W-Q3CBR

DIMENSIONS



Qty	Description	Price

I accept the specifications of the accessory configuration mentioned above.

Name: _____

Company: _____

Signature: _____

Date: _____

Data is based upon tests performed in a controlled environment. Actual performance can vary depending on operating conditions.
 All products are subject to change or may be discontinued any time without notice.