

Project: \_\_\_\_\_ Type: \_\_\_\_\_

Drawn by: \_\_\_\_\_ Catalogue #: \_\_\_\_\_ Date: \_\_\_\_\_

## Individual Spec Sheet

# FLL

## BLACK SLIPFITTER AND WALL MOUNT ADAPTER

### ORDERING INFORMATION

**Order code:** 69816  
**Description:** Yoke 450W  
**UPC:** 069549030350  
**Case quantity:** 10

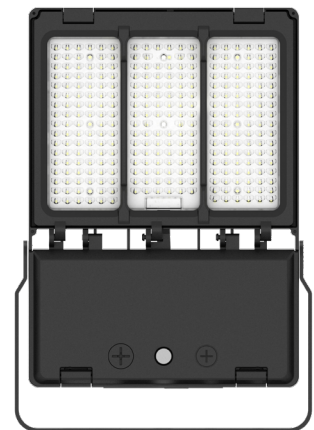
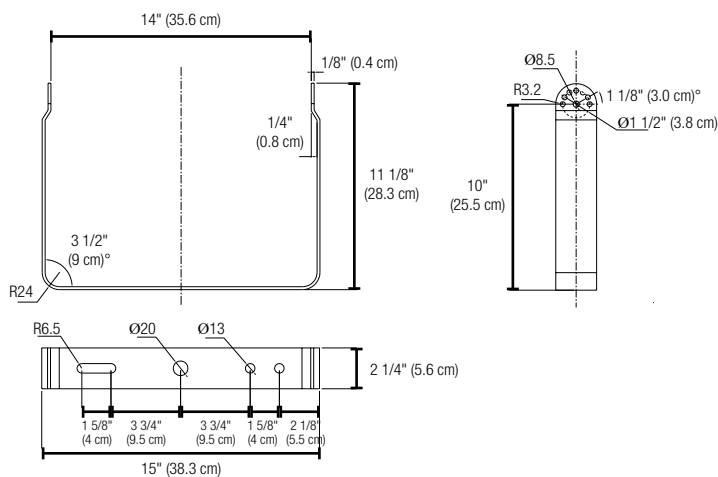
### PHYSICAL DATA

**Type:** Yoke  
**Material:** Diecast aluminum  
**Finish:** Black  
**Length:** 15" (381 mm)  
**Width:** 11 1/8" (283 mm)  
**Height:** 2 3/16" (56 mm)

### COMPATIBLE WITH

Order code	Model number
69801	FLLL-PS450W-Q3CBK

### DIMENSIONS



Qty	Description	Price

I accept the specifications of the accessory configuration mentioned above.

Name: \_\_\_\_\_

Company: \_\_\_\_\_

Signature: \_\_\_\_\_

Date: \_\_\_\_\_

Data is based upon tests performed in a controlled environment. Actual performance can vary depending on operating conditions.  
 All products are subject to change or may be discontinued any time without notice.