

# OSL-OPN3

3-Gang Open Window Faceplate  
Recessed Lighting

Job Information		
Project Name		Type
Location		
Quantity		Date
Contact/Phone		
Notes		

## Features

### Body Construction

Powder-coated or electroplated cast aluminum with open center. Available in black, brushed nickel or fl at white corrosion resistant paint.

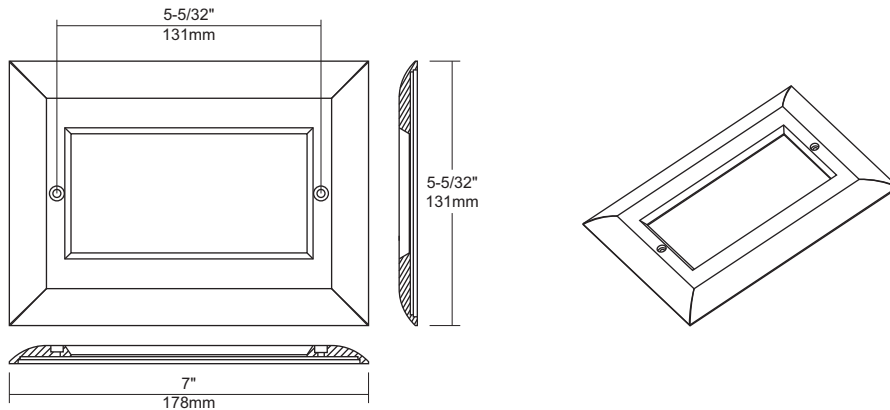
### Mounting

Mounts onto 3-gang outdoor LED step light (OSL3030 – sold separately) with two colour matching screws (included).



## Description

This open window faceplate is used in conjunction with 3-gang outdoor LED step light. It can be used on deck, porch, concrete/brick walls, or outdoor steps for even spread of light in dark areas.



**Notes:** Accessories should be ordered separately. For additional options please consult your Liteline representative. Due to our continued efforts to improve our products, product specifications are subject to change without notice.

## Ordering Guide



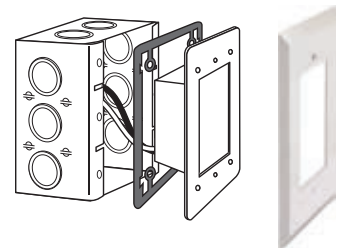
**OSL-OPN3-BK**  
Black open window faceplate for 3-gang outdoor LED step light.



**OSL-OPN3-BN**  
Brushed nickel open window faceplate for 3-gang outdoor LED step light.



**OSL-OPN3-FWH**  
Flat white open window faceplate for 3-gang outdoor LED step light.



(LED fixture sold separately)

